

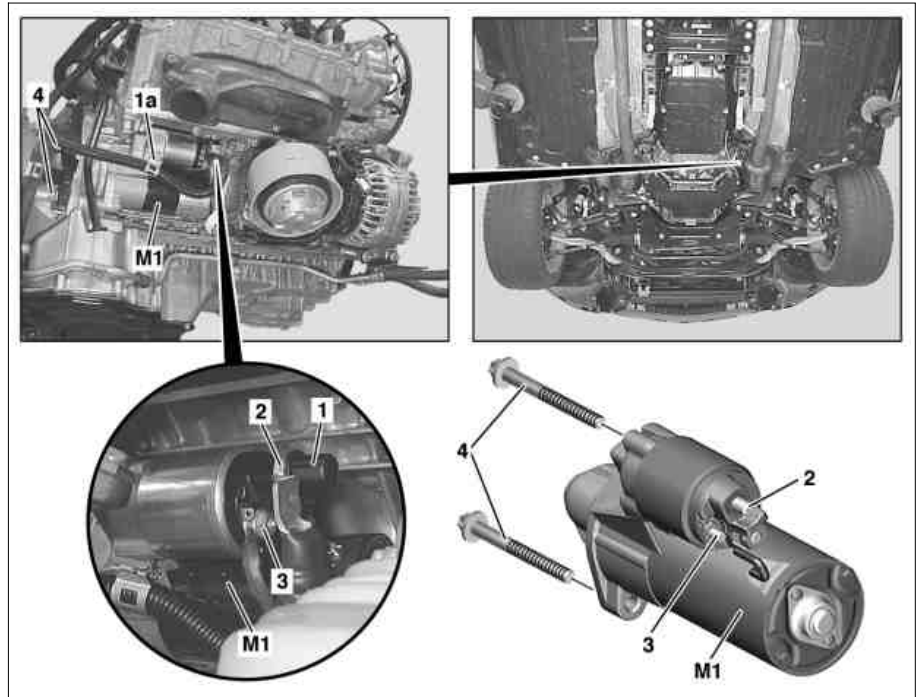
ENGINE 272.946 /965 /975 in MODEL 221

ENGINE 273 in MODEL 216, 221

Shown on engine 272

- 1 Protective cap
 1a Cable holder
 2 Electrical connection circuit 30
 3 Electrical connection circuit 50
 4 Bolts

M1 Starter



P15.30-2144-06

	Remove/install		
Danger!	Risk of death caused by vehicle slipping or toppling off the lifting platform.	Align vehicle between columns of vehicle lift and position four support plates at vehicle lift support points specified by vehicle manufacturer.	AS00.00-Z-0010-01A
	Notes on self-locking nuts and bolts		AH00.00-N-0001-01A
1	Detach ground lines from batteries		AR54.10-P-0003SX
2	Remove center and rear engine compartment paneling		AR61.20-P-1105SX
3	Dismount steering coupling at the steering shaft	Vehicles with 4-MATIC For vehicles with 4-MATIC the starter (M1) is located on the left side.	AR46.10-P-8000SX
4	Pull out protective cap (1) and remove electrical connections (2, 3) at starter (M1)		*BA15.30-P-1001-01J *BA15.30-P-1002-01J
5	Dismount cable holder (1a) from starter (M1)		
6	Unscrew bolts (4) of starter (M1)		*BA15.30-P-1003-01J
7	Take starter (M1) down and out		
	Checking		
8	Check starter ring gear at drive plate for wear and damage	When replacing the starter (M1) Rotate engine at center bolt of crankshaft in the direction of rotation.	
9	Install in the reverse order		

Starter

Number	Designation	Engine 272, 273
BA15.30-P-1001-01J	Nut, connection for circuit 30	Nm 15
BA15.30-P-1002-01J	Nut, connection for circuit 50	Nm 8

BA15.30-P-1003-01J	Bolt connecting starter to crankcase	Nm	40
--------------------	--------------------------------------	----	----