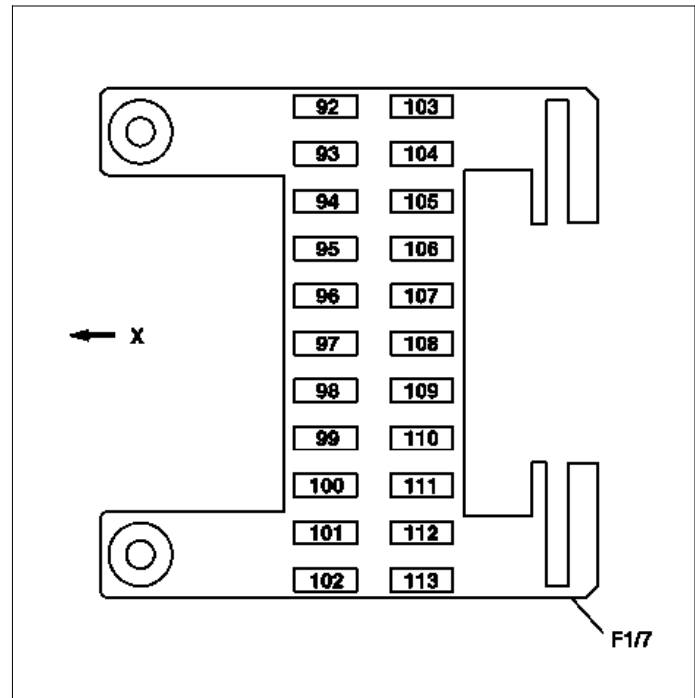


F1/7 Left instrument panel fuse box

X Direction of travel



P54.15-2758-12

Socket	Fuse	Clamping device	Cable ID (cable fused)	Fused function	Rating in amperes (A)
92	F1/7f92	30	4.0 RD	<ul style="list-style-type: none"> left front seat control unit (N32/1) 	40
93	F1/7f93	30	0.75 RDWH	<ul style="list-style-type: none"> Restraint systems control unit (N2/7) Valid for code (494) USA version (model 216): Weight Sensing System (WSS) control unit (N110) 	7.5
94	F1/7f94	30	-	-	-
95	F1/7f95	30	-	-	-
96	F1/7f96	30	0.5 RDWH	Valid for code (475) Tire pressure monitor (Siemens): <ul style="list-style-type: none"> TPM [RDK] control unit (N88) 	5
97	F1/7f97	30	1.0 RDWH	Valid for code (864) Rear entertainment system (model 221): <ul style="list-style-type: none"> Audio/video controller control unit (N66/3) 	7.5
98	F1/7f98	30	-	-	-
99	F1/7f99	30	-	-	-
100	F1/7f100	30	-	-	-
101	F1/7f101	30	1.0 RDWH	Valid for code (864) Rear entertainment system: <ul style="list-style-type: none"> Left rear display (A40/5) Right rear display (A40/6) 	10
102	F1/7f102	30	4.0 RD	<ul style="list-style-type: none"> right front seat control unit (N32/2) 	40
103	F1/7f103	30	0.75 RDWH	<ul style="list-style-type: none"> ESP control unit (N47-5) 	7.5
104	F1/7f104	30	4.0 RDWH	Valid for code (810) sound system: <ul style="list-style-type: none"> Audio tuner control unit (N93/1) 	40
105	F1/7f105	30	-	-	-
106	F1/7f106	30	0.5 RDWH	Valid for code (498) Japanese version: <ul style="list-style-type: none"> Electronic toll collection (ETC) control unit (A50/3) 	1
107	F1/7f107	30	4.0 RDWH	Valid for code (536) SIRIUS satellite radio (model 216): <ul style="list-style-type: none"> SDAR control unit (N87/5) 	5
108	F1/7f108	30	0.5 RDWH	Valid for code (582) Rear air conditioner (model 221): <ul style="list-style-type: none"> Rear air conditioning control unit (N22/4) 	5
109	F1/7f109	30	1.5 RDWH	Valid for model 221: <ul style="list-style-type: none"> Rear blower intermediate connector (X64/10) 	15

110	F1/7f110	30	0.75 RDWH	Valid for code (406) Rear multicontour seat (model 221): <ul style="list-style-type: none"> ● Left rear multicontour backrest control unit (N32/20) ● Right rear multicontour backrest control unit (N32/21) 	7.5
111	F1/7f111	30	0.5 RDWH	Valid for code (406) Rear multicontour seat or code (864) Rear entertainment system (model 221): <ul style="list-style-type: none"> ● RCP [HBF] control unit (N72/2) 	5
112	F1/7f112	30	0.5 RDWH	Valid for model 221: <ul style="list-style-type: none"> ● Left front door control unit (N69/1) ● Right front door control unit (N69/2) 	5
113	F1/7f113	30	-	-	-