

P83.10-2516-08

Model 221

1 Center air outlet

2 Bolts

3 Trim strip

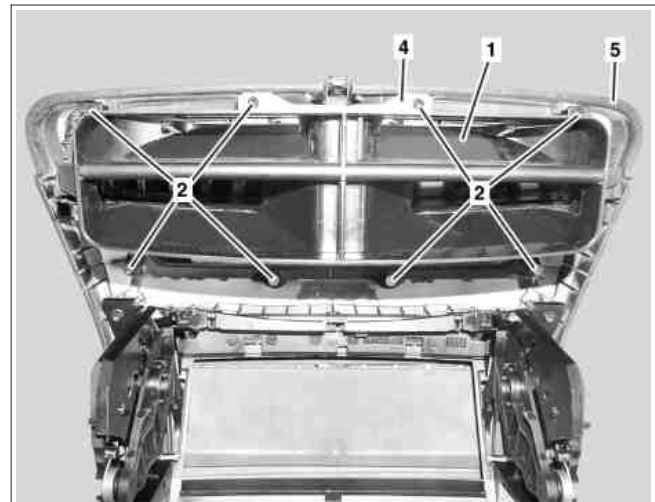
Model 216

1 Center air outlet



2 Bolts

4 Bracket

5 Cover



P83.10-2570-11

 	Remove/install		
1	Remove upper control panel control unit		AR54.21-P-1262SX
2	Remove bolts (2)		
3.1	Remove bracket (4)	Model 216	
4.1	Remove center air outlet (1) from cover (5).	Model 216	
4.2	Remove center air outlet (1) from trim strip (3).	Model 221	
5	Install in the reverse order		