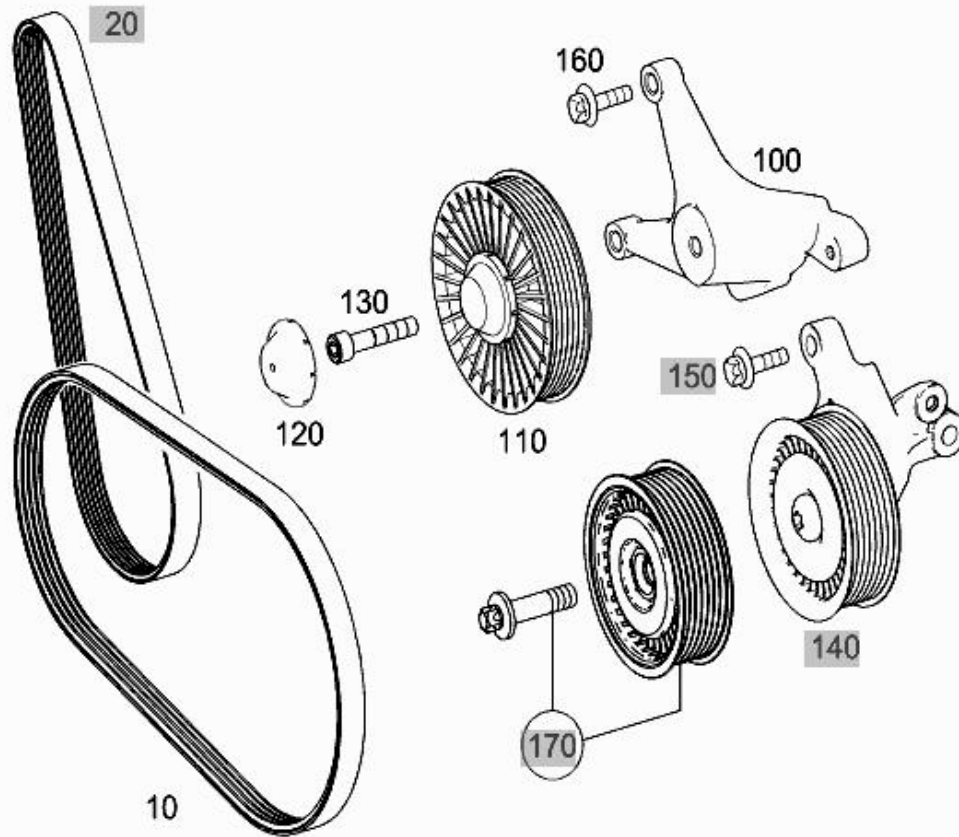



# - Picture -

<b>Mode</b>	MD mode	<b>Mod. des. overview</b>	S-SEDAN LONG WHEELBASE
<b>FIN/MD</b>	WDD 2211711A333702	<b>Catalog</b>	63V
<b>VIN</b>	WDDNG7BB4AA333702	<b>Major assembly:</b>	
<b>Sales designation</b>	S 550	<b>Major assembly MD</b>	
<b>Assortment class</b>	Car	<b>Group</b>	21 - MAJOR ASSEMBLY DETACHABLE BODY COMP.
<b>Market</b>	North America	<b>Subgroup</b>	230 - V-BELT,BELT TIGHTENER,SHEAVE PULLEY
<b>Picture number</b>	B2123000001.120507		



## - Parts list -

<b>Mode</b>	MD mode	<b>Mod. des. overview</b>	S-SEDAN LONG WHEELBASE
<b>FIN/MD</b>	WDD 2211711A333702	<b>Catalog</b>	63V
<b>VIN</b>	WDDNG7BB4AA333702	<b>Major assembly:</b>	
<b>Sales designation</b>	S 550	<b>Major assembly MD</b>	
<b>Assortment class</b>	Car	<b>Group</b>	21 - MAJOR ASSEMBLY DETACHABLE BODY COMP.
<b>Market</b>	North America	<b>Subgroup</b>	230 - V-BELT,BELT TIGHTENER,SHEAVE PULLEY

Item no.	Part number	Designation/description	Quantity	Version
10	A 001 993 18 96	<b>V-BELT</b> 21.36 X 2401  [005] To Chassis: A 425933 To Date: 30/06/2011	001	
100	A 272 234 03 39	<b>BEAM</b> SHEAVE PULLEY	001	
100	Q 0000000001	<b>IMPORTANT INFORMATION</b> FOR PARTS,SEE: M20/045	001	
110	A 611 234 01 93	<b>SHEAVE PULLEY</b>	001	
110	Q 0000000001	<b>IMPORTANT INFORMATION</b> FOR PARTS,SEE: M20/045	001	
120	A 611 988 02 35	<b>PROTECTIVE CAP</b>	001	
120	Q 0000000001	<b>IMPORTANT INFORMATION</b> FOR PARTS,SEE: M20/045	001	
130	N 000912 010222	<b>CAP BOLT</b> SHEAVE PULLEY TO SUPPORT M10X50	001	
130	Q 0000000001	<b>IMPORTANT INFORMATION</b> FOR PARTS,SEE: M20/045	001	
160	N 910143 008003	<b>HEXALOBULAR BOLT</b> SUPPORT TO TIMING CASE M8X30	001	