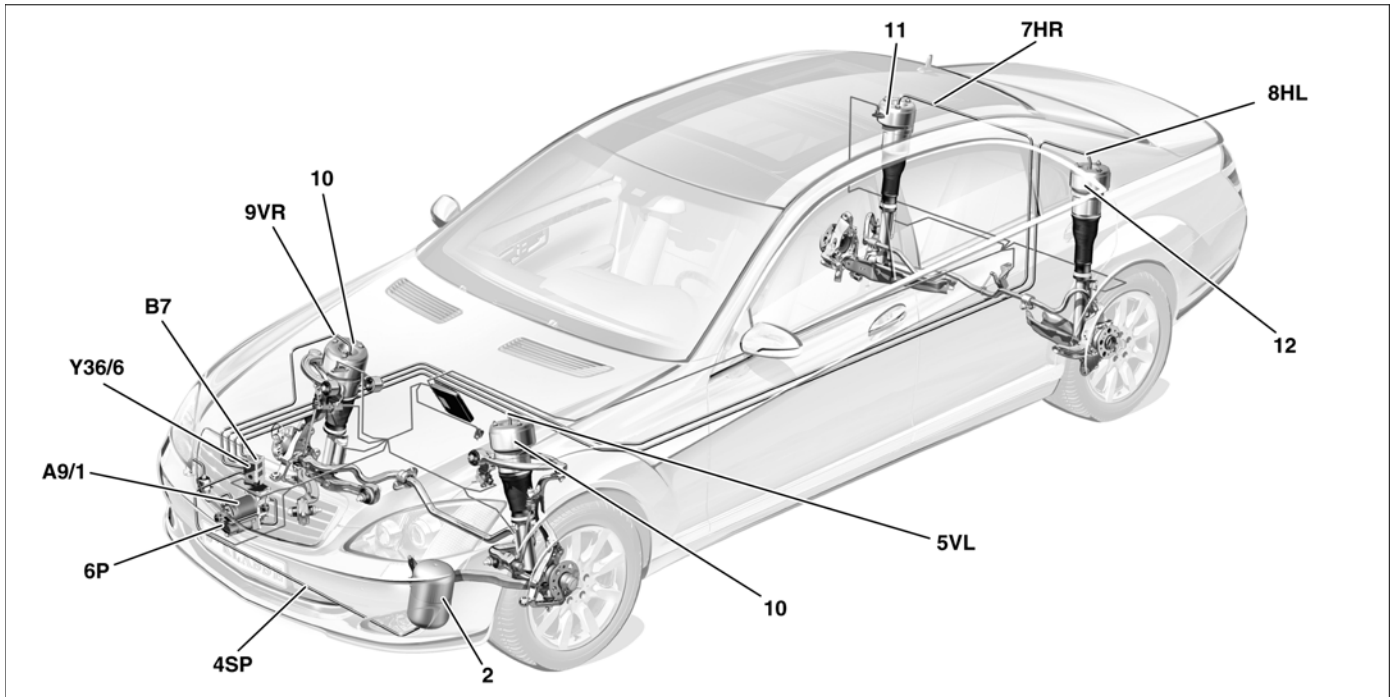


MODEL 221.0/ 1

MODEL 216  
With 4MATIC



P32.22-2406-09

**Illustrated on model 221.056**

2 Central reservoir (pressure reservoir)

7HR To right rear suspension strut (red)

A9/1 AIRmatic compressor unit

8HL To left rear suspension strut (blue)

B7 AIRmatic pressure sensor

9VR To right front suspension strut (yellow)

Y36/6

Level control valve unit

*Pressure line connections:*

- 4SP To central reservoir (black)
- 5VL To left front suspension strut (green)
- 6P To AIRmatic compressor unit (brown)

10 Front suspension strut

11 Right rear suspension strut

12 Left rear suspension strut

2 Central reservoir (pressure reservoir)

3 Electrical connector

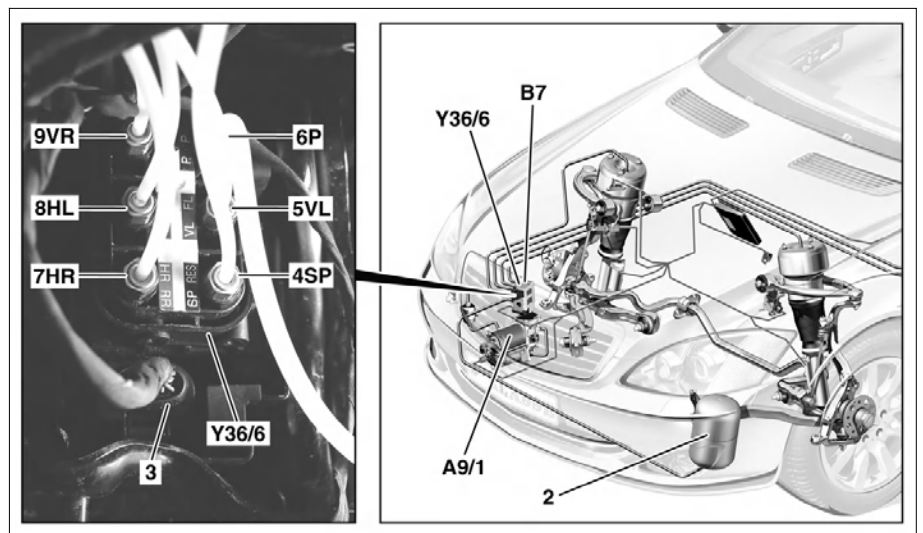
*Pressure line connections:*

- 4SP To central reservoir (black)
- 5VL To left front suspension strut (green)
- 6P To AIRmatic compressor unit (brown)
- 7HR To right rear suspension strut (red)
- 8HL To left rear suspension strut (blue)
- 9VR To right front suspension strut (yellow)

A9/1 AIRmatic compressor unit

B7 AIRmatic pressure sensor

Y36/6 Level control valve unit



P32.22-2398-05

	<p><b>Removing</b></p>		
<p><b>⚠ Danger!</b></p>	<p><b>Risk of death</b> caused by vehicle slipping or toppling off of the lifting platform</p>	<p>Align vehicle between columns of vehicle lift and position four support plates at vehicle lift support points specified by vehicle manufacturer.</p>	<p>AS00.00-Z-0010-01A</p>
<p><b>i</b></p>	<p>Notes on AIRmatic</p>		<p>AH32.22-P-1000-02SX</p>
<p>1</p>	<p>Remove front section of lower engine compartment paneling</p>	<p>Vehicles without code (Z07) Top protection</p>	<p>AR61.20-P-1105SX</p>

		Vehicles with code (Z07) Top protection	AR61.20-P-1105SXS
2	Remove fender liner in front fenders		
	<b>Checking</b>		
3	Spray pressure line connections with leak detector spray	<p> Cover objects (rear shelf, head restraints etc.) in the vicinity of the spraying area with a clean rag.</p> <p> Spray the following pressure line connections: Connections (4SP, 5VL, 6P, 7HR, 8HL, 9VR) on valve unit (Y36/6), connection (4SP) of compressor unit (A9/1), connection (4SP) on central reservoir (2), connections (5VL, 9VR) and areas of adhesive on front suspension struts (10), connections (7HR, 8HL) and areas of adhesive on rear suspension struts (11, 12).</p> <p> Wait for approx. 10 to 15 min. after spraying the pressure line connections with leak detection spray. This allows smaller leaks to be detected (bubbles form). Larger leaks are visible immediately.</p> <p>Leak detection spray for USA</p>	<p>*BR00.45-Z-1002-03A</p> <p>*BR00.45-Z-1004-03A</p>
		<p>If pressurized line connection fitting is defective:</p> <p style="text-align: center;">↓</p> <p>Repair AIRmatic pressure line connection.</p> <p></p> <p></p> <p></p> <p></p> <p></p> <p></p> <p></p> <p></p> <p>Leak detection spray for USA</p>	<p>AR32.22-P-2001-02SX</p> <p>*BA32.22-P-1002-03D</p> <p>*BA32.22-P-1004-03D</p> <p>*BA32.22-P-1006-03D</p> <p>*BA32.25-P-1003-04L</p> <p>*BA32.25-P-1006-04L</p> <p>*000589122800</p> <p>*211589000900</p> <p>*BR00.45-Z-1002-03A</p> <p>*BR00.45-Z-1004-03A</p>
	<b>Install</b>		
4	Install fender liner in front fenders		
5	Fit front section of lower engine compartment paneling	<p>Vehicles without code (Z07) Top protection</p> <p>Vehicles with code (Z07) Top protection</p>	<p>AR61.20-P-1105SX</p> <p>AR61.20-P-1105SXS</p>

#### Air suspension

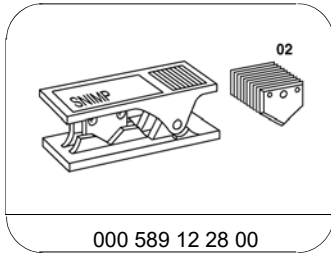
Number	Designation		Model 216	Model 221
BA32.22-P-1002-03D	Pressure line air suspension to pressure reservoir	Nm	5	5
BA32.22-P-1004-03D	Pressure line, air suspension to compressor	Nm	5	5
BA32.22-P-1006-03D	Pressure line of air suspension to valve unit	Nm	3	3

#### Suspension struts

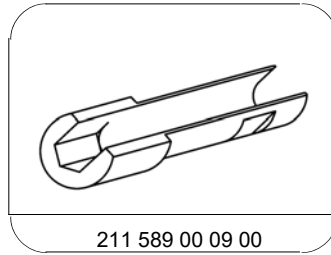
Number	Designation		Model 216 with 4MATIC	Model 221 without 4MATIC and without code 487, Z07/ Z07+Z19
BA32.25-P-1003-04L	Air suspension pressure line to suspension strut	Nm	5	5
BA32.25-P-1006-04L	Air suspension pressure line to rear air spring	Nm	5	5

**Nm Suspension struts**

Number	Designation	Model	Model	Model
			<b>221 with code Z07/Z07+Z19</b>	<b>221 with 4MATIC</b>
BA32.25-P-1003-04L	Air suspension pressure line to suspension strut	Nm	5	5
BA32.25-P-1006-04L	Air suspension pressure line to rear air spring	Nm	5	5



Slitting knife



Wrench socket

**Repair materials**

Number	Designation	Order number
BR00.45-Z-1002-03A	Leak detection spray	Christof Fischer GmbH, Augsburger Str. 289-293, 70327 Stuttgart Germany Tel. +49 711 30502-0 Fax +49 711 30502-10 www.kaeltefischer.de
BR00.45-Z-1004-03A	Leakage spray for USA	LIQUI MOLY Gary Boyd 1820 Clark Avenue Long Beach, CA 90815 USA Tel. +1 562 5975519 Fax + 1 562 5975269 www.liqui-moly.com