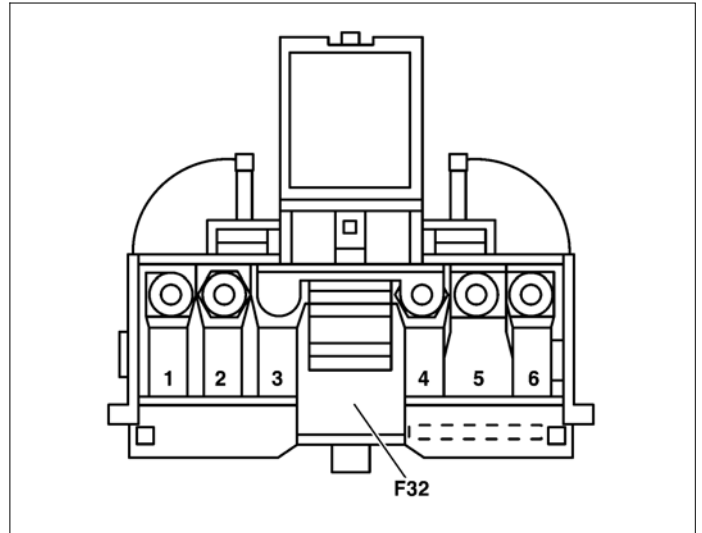


Fuse assignment for front prefuse box (F32)

1 to 6 Position for fuses
F32 Front prefuse



P54.15-2552-11

Position	Fuse	Fused function	Rating in amperes (A)
1	F32f1	● Interior fuse box (F34)	125
2	F32f2	● Rear SAM control module with fuse and relay module (N10/2)	200
3	F32f3	● Spare	125
4	F32f4	● Driver-side SAM control module with fuse and relay module (N10/1), part 1	200
5	F32f5	● Electric suction-type fan for engine/AC (M4/3)	125
6	F32f6	● Driver-side SAM control module with fuse and relay module (N10/1), part 4	60