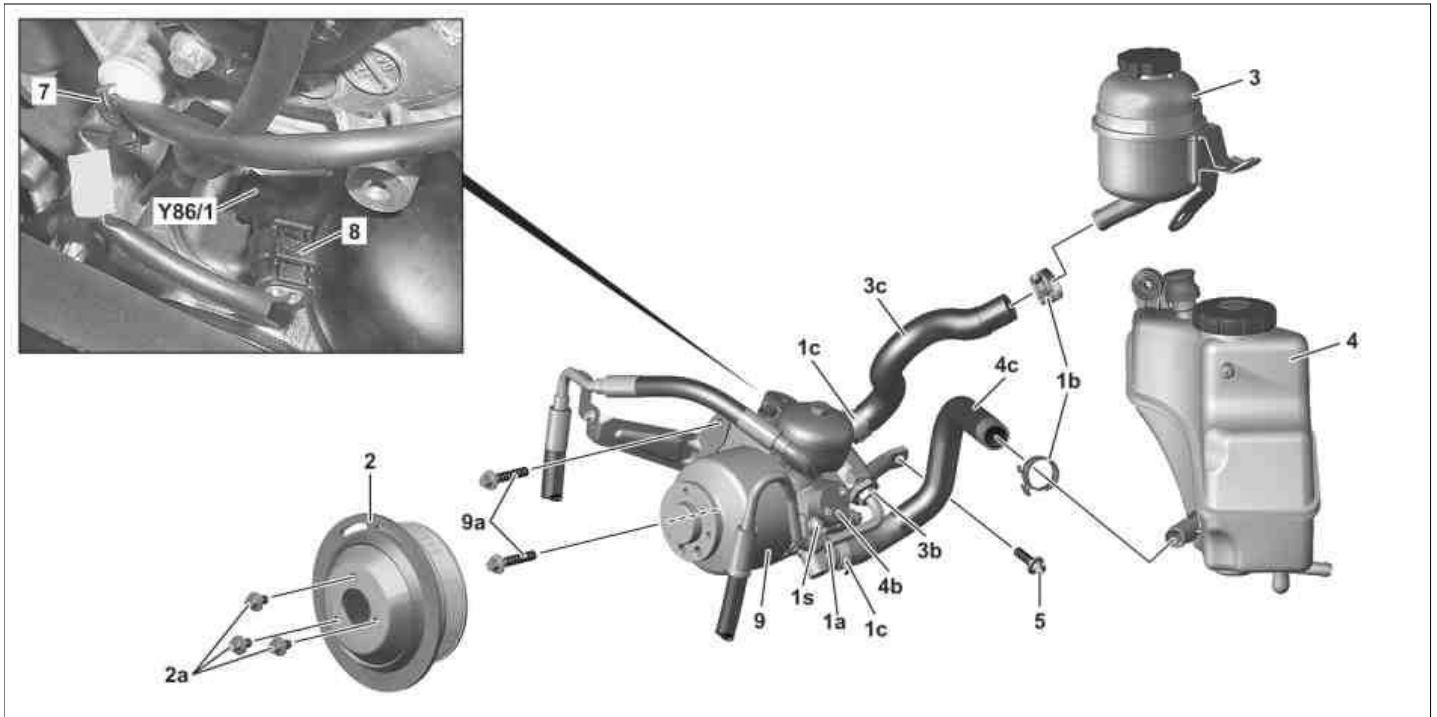


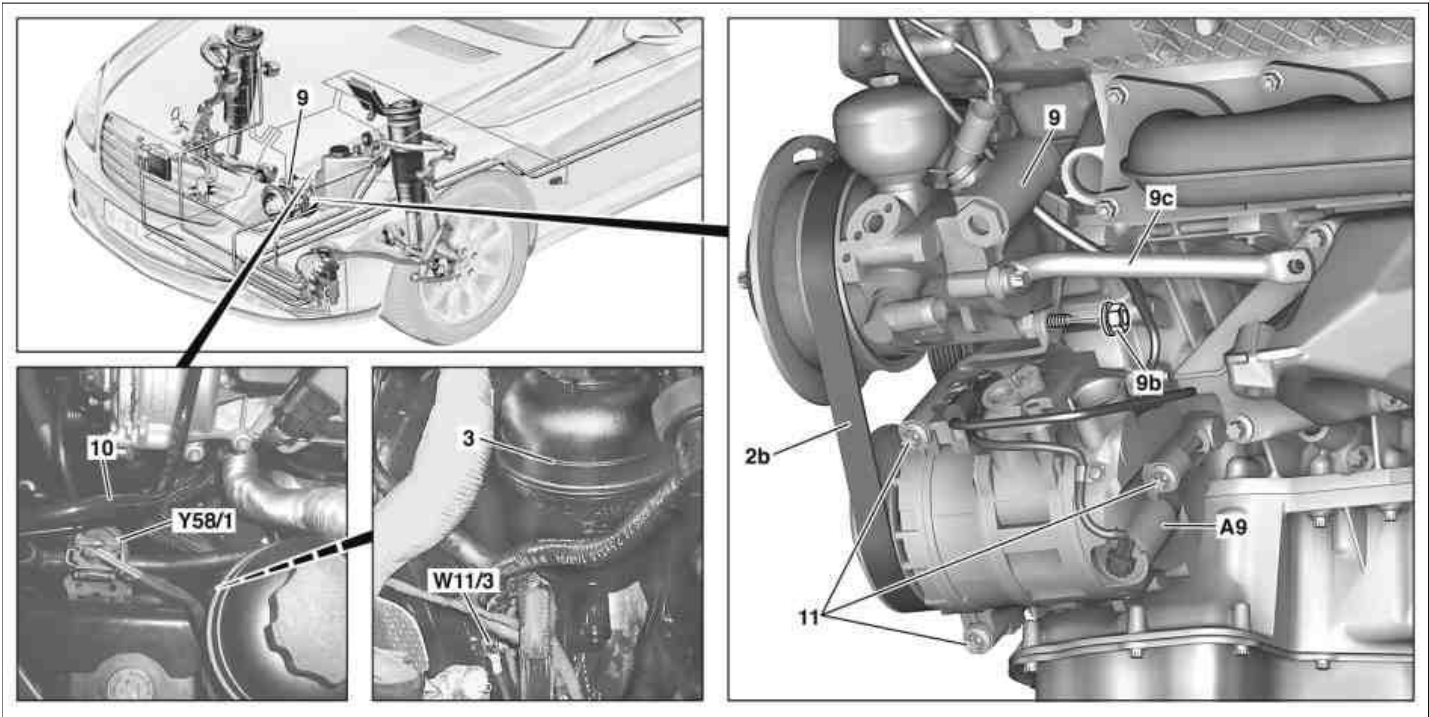
MODEL 221 (except 221.176 /179)  
with CODE (487) Active Body Control (ABC)  
except CODE (Z07) Top protection  
without electrohydraulic power steering (EHPS)

MODEL 216.371 /377  
without electrohydraulic power steering (EHPS)



P46.30-2214-09

- |    |                              |    |                     |       |                              |
|----|------------------------------|----|---------------------|-------|------------------------------|
| 1a | Retaining clamp              | 3c | Feed line           | 8     | Electrical connector         |
| 1b | Hose clamps                  | 4  | Expansion reservoir | 9     | Power steering pump          |
| 1c | Clamp                        | 4b | ABC pressure line   | 9a    | Bolts                        |
| 1s | Screw                        | 4c | Feed line           |       |                              |
| 2  | Belt pulley                  | 5  | Screw               | Y86/1 | ABC suction restrictor valve |
| 2a | Bolts                        | 7  | Cable tie           |       |                              |
| 3  | Expansion reservoir          |    |                     |       |                              |
| 3b | Power steering pressure line |    |                     |       |                              |



P46.30-2215-09

- |    |                                    |    |             |       |                        |
|----|------------------------------------|----|-------------|-------|------------------------|
| 2b | Poly-V-belt                        | 9c | Bracket     | A9    | Refrigerant compressor |
| 3  | Power steering expansion reservoir | 10 | Vacuum line | W11/3 | Ground (engine, left)  |
| 9  | Power steering pump                | 11 | Bolts       | Y58/1 | Purge control valve    |
| 9b | Nut                                |    |             |       |                        |

	Remove/install		
	Notes on Active Body Control suspension		AH32.50-P-0001-01N
1.1	Remove air filter housing	Engine 156 Engine 272, 273	AR09.10-P-1150SMG AR09.10-P-1150SX
1.2	Remove engine trim panel	Engine 642	
1.3	Remove front engine cover and left engine air intake duct	Engine 629	
2	Separate vacuum line (10) of switchover valve (Y58/1)		
3	Loosen bolts (2a) of belt pulley (2)	Counterholder Model 221 except 221.077 /177 Model 216 except 216.377 Model 216.377, 221.077 /177	*603589004000 *BA46.30-P-1003-01N *BA46.30-P-1008-01Q *BA46.30-P-1009-01O
4	Remove poly-V belt (2b)	Engine 156 Engine 272, 273 Engine 642 Engine 629	AR13.22-P-1202SMG AR13.20-P-0001SX AR13.22-P-1202SXI
5	Remove screw (1s) from retaining clamp (1a)		
6	Detach belt pulley (2) and lift out		
7	Separate cable tie (7)		
8	Disconnect electrical connector (8) at ABC suction restrictor valve (Y86/1)		
9	Disconnect supply lines (3c, 4c)	Clamp	*000589543700
10	Open upper clamp (1b) and disconnect feed line (3c) from power steering pump (9)	Hose clamp pliers	*003589033700
11	Detach pressure line of power steering (3b)	Model 221 except 221.077 /177 Model 216 except 216.377 Model 216.377, 221.077 /177	*BA46.30-P-1005-01N *BA46.30-P-1009-01Q *BA46.30-P-1007-01O
12	Detach ABC pressure line (4b)		
13	Open lower clamp (1b) and disconnect feed line (4c) from power steering pump (9)	Hose clamp pliers	*003589033700

14	Remove bottom engine compartment paneling		AR61.20-P-1105SX
15	Remove bolts (11) and place refrigerant compressor (A9) to one side with lines connected	<p><b>i</b> Loosen (but do not remove) the lower screw of the refrigerant compressor (A9) and leave it inserted in the thread.</p> <p><b>i</b> Ensure that no cables or lines, brackets are damaged</p> <p>Engine 272, 273</p> <p><b>Nm</b> Bolt, refrigerant compressor to timing case/ crankcase/ engine support</p> <p><b>Nm</b> Bolt, refrigerant line to refrigerant compressor</p> <p>Engine 156</p> <p><b>Nm</b> Screw/bolt, refrigerant compressor to timing case/crankcase/and/or engine support</p> <p><b>Nm</b> Bolt, refrigerant lines to refrigerant compressor</p>	<p>*BA83.55-P-1001-01M</p> <p>*BA83.55-P-1003-01M</p> <p>*BA83.55-P-1001-01T</p> <p>*BA83.55-P-1003-01T</p>
16	Remove bolt (5)	<p><b>Nm</b> Model 221 except 221.077 /177</p> <p><b>Nm</b> Model 216 except 216.377</p> <p><b>Nm</b> Model 216.377, 221.077 /177</p>	<p>*BA46.30-P-1002-01N</p> <p>*BA46.30-P-1002-01Q</p> <p>*BA46.30-P-1004-01O</p>
17	Unscrew nut (9b).	<p><b>i</b> Place the ground cable to one side.</p> <p><b>Nm</b> Model 221</p> <p><b>Nm</b> Model 216</p> <p><b>Nm</b> 216.377, 221.077 /177</p>	<p>*BA46.30-P-1001-01N</p> <p>*BA46.30-P-1001-01Q</p> <p>*BA46.30-P-1002-01O</p>
18	Remove bolts (9a)	<p><b>Nm</b> Model 221 except 221.077 /177</p> <p><b>Nm</b> Model 216 except 216.377</p> <p><b>Nm</b> Model 216.377, 221.077 /177</p>	<p>*BA46.30-P-1004-01N</p> <p>*BA46.30-P-1004-01Q</p> <p>*BA46.30-P-1001-01O</p>
19	Remove power steering pump (9) with bracket (9c) upwards	<p><b>i</b> Replace self-tapping bolts if necessary, observing the following:</p> <ul style="list-style-type: none"> <li>● Never retap the thread.</li> <li>● Use original bolts only.</li> <li>● When screwing in do not attach bolts at an angle</li> <li>● Do not use an impact wrench.</li> </ul> <p><b>i</b> Detach bracket (9c) from power steering pump (9) if necessary.</p> <p><b>Nm</b> Model 221 except 221.077 /177</p> <p><b>Nm</b> Model 216 except 216.377</p> <p><b>Nm</b> Model 216.377, 221.077 /177</p>	<p>*BA46.30-P-1009-01N</p> <p>*BA46.30-P-1003-01Q</p> <p>*BA46.30-P-1005-01O</p>
20	Install in the reverse order		
21	Fill and bleed active body control (ABC)		AR32.50-P-0021SX
22	Fill and bleed power steering pump (9)		AR46.30-P-0010SX

**Nm** Power steering pump

Number	Designation		Model 216 with engine 273 with code 487
BA46.30-P-1001-01Q	Tandem pump to crankcase	Nm	20
BA46.30-P-1002-01Q	Bolt, bracket/support of tandem pump to engine support	Nm	35
BA46.30-P-1003-01Q	Bolt, plate/bracket to tandem pump	Nm	35
BA46.30-P-1004-01Q	Tandem pump to timing case	M8×44 self-tapping	Nm 35
		M8×30	Nm 20

BA46.30-P-1008-01Q	Belt pulley to tandem pump	Nm	30
BA46.30-P-1009-01Q	Union nut, high-pressure expansion hose of rack-and-pinion steering to tandem pump	Nm	40

**Nm** Power steering pump

Number	Designation		Model 221 with code 487
BA46.30-P-1001-01N	Nut, power steering pump to crankcase	Nm	20
BA46.30-P-1002-01N	Bolt, bracket of power steering pump to engine support	Nm	30
BA46.30-P-1003-01N	Bolt, belt pulley to power steering pump	Nm	25
BA46.30-P-1004-01N	Screw/bolt, power steering pump to timing case cover	Nm	35
BA46.30-P-1005-01N	Union nut, high pressure expansion hose of power steering to power steering pump	Nm	40
BA46.30-P-1009-01N	Bolt, bracket to power steering pump	Nm	20

**Nm** Power steering pump

Number	Designation		Engine 156 in model 216, 221
BA46.30-P-1001-01O	Bolt, power steering pump bracket to timing case cover	M8×30	Nm 30
		M8×35	Nm 30
BA46.30-P-1002-01O	Bolt, power steering pump bracket to crankcase	M8×90	Nm 30
BA46.30-P-1004-01O	Screw/bolt, support holder to cylinder crankcase	M8×35	Nm 30
BA46.30-P-1005-01O	Screw/bolt, support holder to power steering pump	M8×35	Nm 30
BA46.30-P-1007-01O	High-pressure expansion hose to power steering pump		Nm 40
BA46.30-P-1009-01O	Bolt, belt pulley to tandem pump		Nm 30

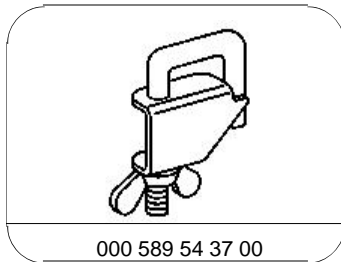
**Nm** Refrigerant compressor

Number	Designation	Engine 272	Engine 273

BA83.55-P-1001-01M	Screw/bolt, refrigerant compressor to timing case/ crankcase/engine support	Nm	20	20
BA83.55-P-1003-01M	Screw/bolt, refrigerant line to refrigerant compressor	Nm	20	20

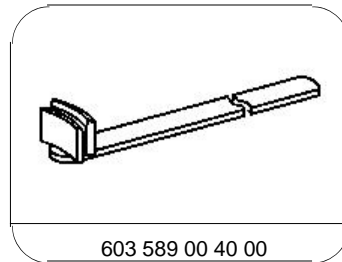
**Nm Refrigerant compressor**

Number	Designation	Engine 156 in model 204, 209, 211, 212, 216, 219, 221, 230
BA83.55-P-1001-01T	Screw/bolt, refrigerant compressor to timing case/crankcase/and/or engine support	Nm 20
BA83.55-P-1003-01T	Screw/bolt, refrigerant lines to refrigerant compressor	Nm 20



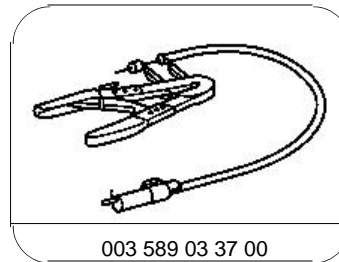
000 589 54 37 00

Circuit



603 589 00 40 00

Counterholder



003 589 03 37 00

Hose clamp pliers