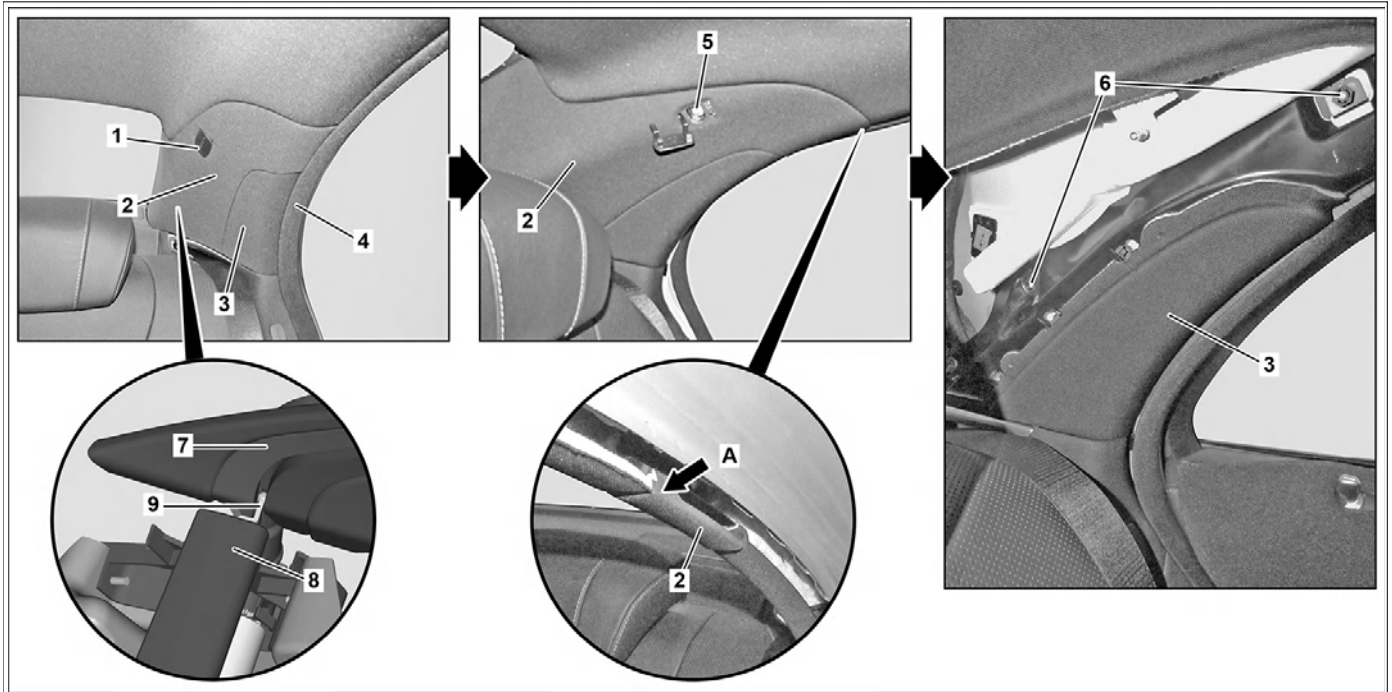


Model 222.0/1

### Modification notes

|            |  |                             |
|------------|--|-----------------------------|
| 24.08.2017 | Remove speaker cover and seat belt guide/trim. | Operation steps 7, 8 and 9. |
|------------|--|-----------------------------|



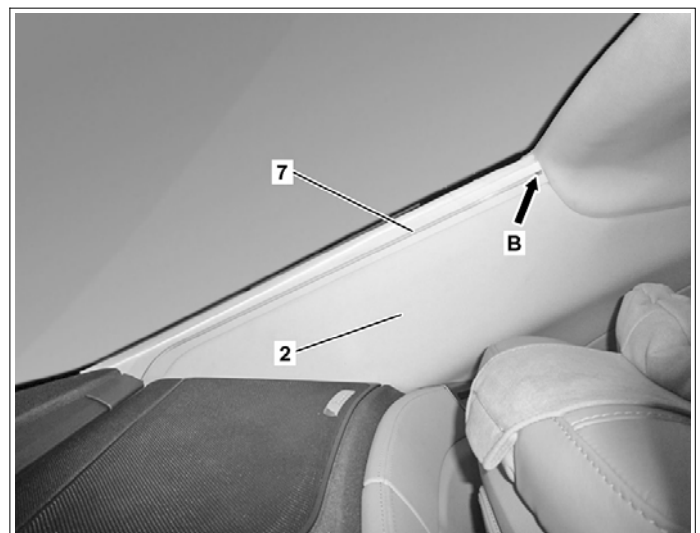
P68.30-3684-09

#### Shown on model 222.1 with code Z07 (Top protection)

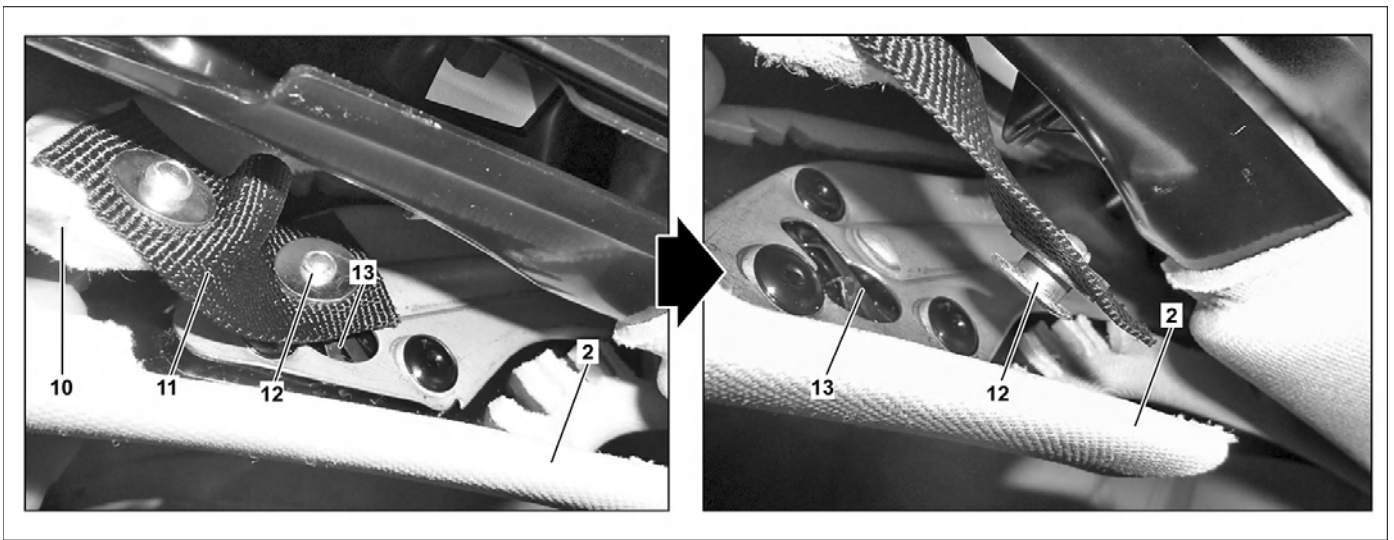
- |   |                                  |   |                  |
|---|----------------------------------|---|------------------|
| 1 | Cover                            | 6 | Buckle clamp     |
| 2 | C-pillar paneling top section    | 7 | Guide rail       |
| 3 | C-pillar paneling bottom section | 8 | Roller sun blind |
| 4 | Edge guard                       | 9 | Pin              |
| 5 | Nut                              |   |                  |

#### Shown on model 222.1 without code Z07 (Highest protection)

- |   |                               |
|---|-------------------------------|
| 2 | C-pillar paneling top section |
| 7 | Guide rail                    |



P68.30-3722-11



P68.30-3721-08

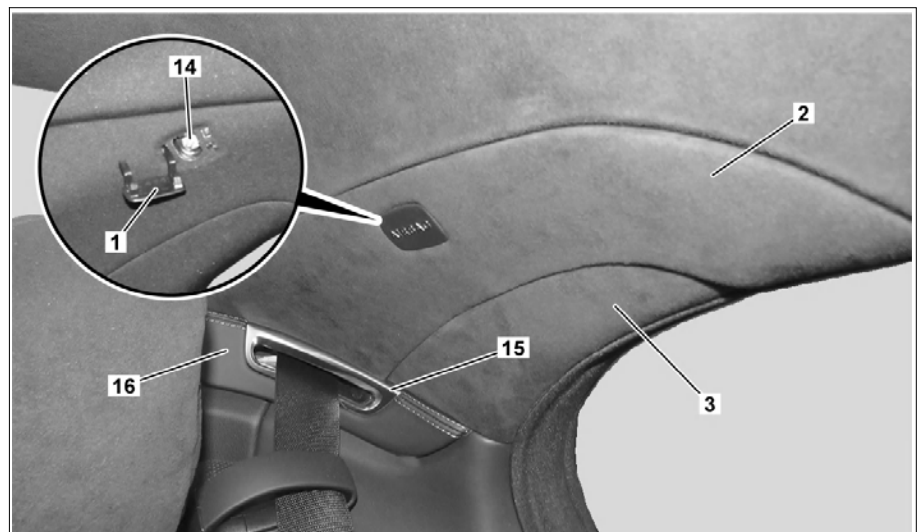
**Shown on model 222.1 with code Z07 (Top protection)**

- 2 C-pillar paneling top section
- 10 Headliner
- 11 Check strap

- 12 Rivet
- 13 Spring clip

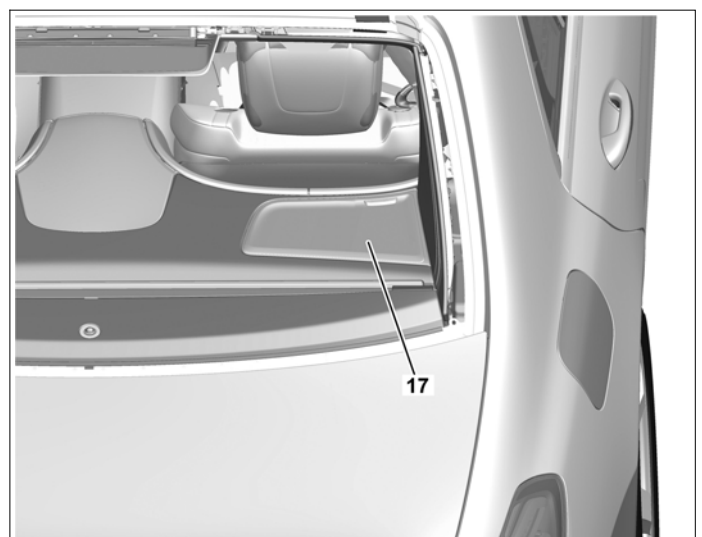
**Shown on model 222.1 with code Z07 (Top protection)**

- 1 Cover
- 2 C-pillar paneling top section
- 3 C-pillar paneling bottom section
- 14 Screw
- 15 Seat belt guide trim element
- 16 Seat belt retractor cover



P68.30-4017-05

- 17 Speaker cover

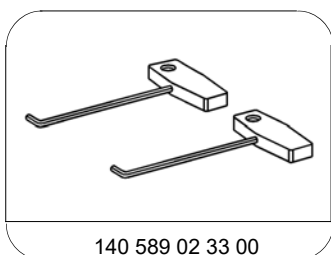


P82.62-4700-11

|     |   |  |                     |
|-----|---|--|---------------------|
|     | Note on functional reliability of windowbag                                       |  | AH91.60-P-0693-01A  |
|     | <b>Remove/install</b>   |  |                     |
| 1   | Remove edge guard (4) in area of C-pillar trim (2, 3)                             |  |                     |
| 2   | Unclip cover (1)  |  |                     |
| 3.1 | Unscrew nut (5)   | Model 222.0/1<br>except code Z07 (Top protection)<br>Nut/screw, trim bracket to C-pillar   | *BA68.30-P-1002-01E |
| 3.2 | Remove screw (14) under cover (1)   | Model 222.0/1<br>with code Z07 (Top protection)<br>Nut/screw, trim bracket to C-pillar   | *BA68.30-P-1002-01E |
| 4   | Unclip guide rail (7) from C-pillar paneling top section (2)                      | Model 222.0/1<br>with code 540 (Electric sunblind for rear window)<br>except code Z07 (Top protection)<br>Install extraction hook in opening (arrow B), turn 90° and unclip guide rail (7) from top downward. Guide rail (7) is hooked into C-pillar paneling top section (2) at bottom.<br><b>Installation:</b> Ensure that pin (9) on roller blind (8) is seated correctly in guide rail (7). Ensure that guide rail (7) is seated correctly.<br>Extraction hook | *140589023300       |
| 5   | Lever retainer (arrow A) of C-pillar trim upper section (2) over roof lining (10) |  |                     |
| 6   | Remove check strap (11) of roof lining (10) from C-pillar trim upper section (2)  | Model 222.0/1<br>with code Z07 (Top protection)<br>Slightly press in spring clip (13), guide rivet (12) together with check strap (11) out of opening.<br><b>Installation:</b> Ensure that check strap (11) and rivet (12) are seated correctly.   |                     |
| 7   | Unclip speaker cover (17) in upward direction                                     |  |                     |
| 8   | Unclip seat belt guide trim element (15) and allow to hang down                   |  |                     |
| 9   | Unclip seat belt retractor cover (16)   |  |                     |
| 10  | Unclip C-pillar paneling top section (2) along rear window                        |  |                     |
| 11  | Remove C-pillar paneling top section (2) in direction of travel                   |  |                     |
| 12  | Unscrew buckle clamps (6)   | Model 222.0/1<br>except code Z07 (Top protection)<br><b>Installation:</b> Replace buckle clamps (6).   |                     |
| 13  | Remove C-pillar trim lower section (3)  | Carefully swivel C-pillar trim lower section (3) toward front. Side trim in rear is connected via a pin with C-pillar trim lower section (3).<br><b>Installation:</b> Before assembly, install new strap buckles (6) on C-pillar trim lower section (3).   |                     |
| 14  | Install in the reverse order  |  |                     |

Paneling, trim piece

| Number             | Designation                         | Model 222 |
|--------------------|-------------------------------------|-----------|
| BA68.30-P-1002-01E | Nut/screw, trim bracket to C-pillar | Nm 5      |



140 589 02 33 00

Extraction hook