

Model 222.1

Model 222.9

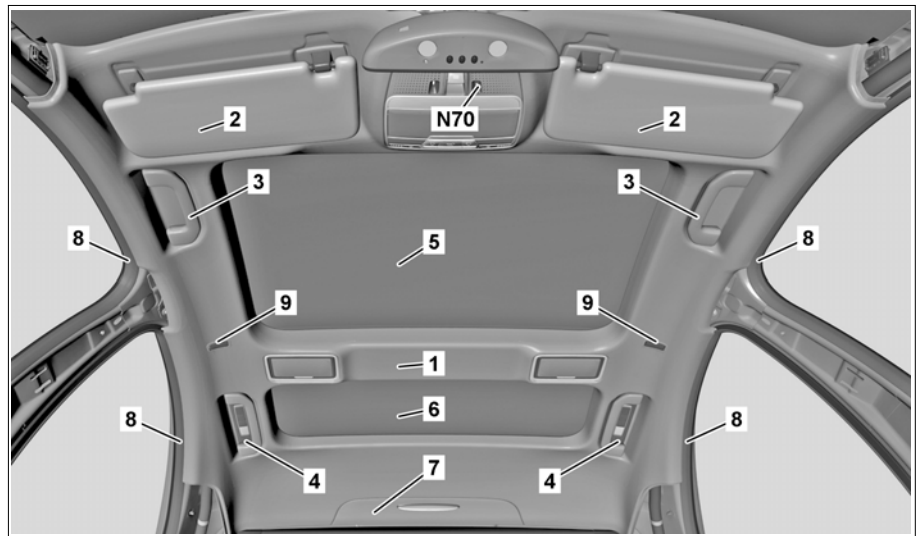
except code Z07 (Top protection)

Modification notes

16.06.2017	Operation step "Release and disconnect electrical connector (17, 18)" added.	Operation steps 24 and 25.	
16.06.2017	Operation step "Modify roof lining detachable parts" added.	Operation step 27.	
29.06.2017	Removal of coat hooks described in greater detail, left sun visors and grab handles added.	Operation steps 1, 2 and 9.	

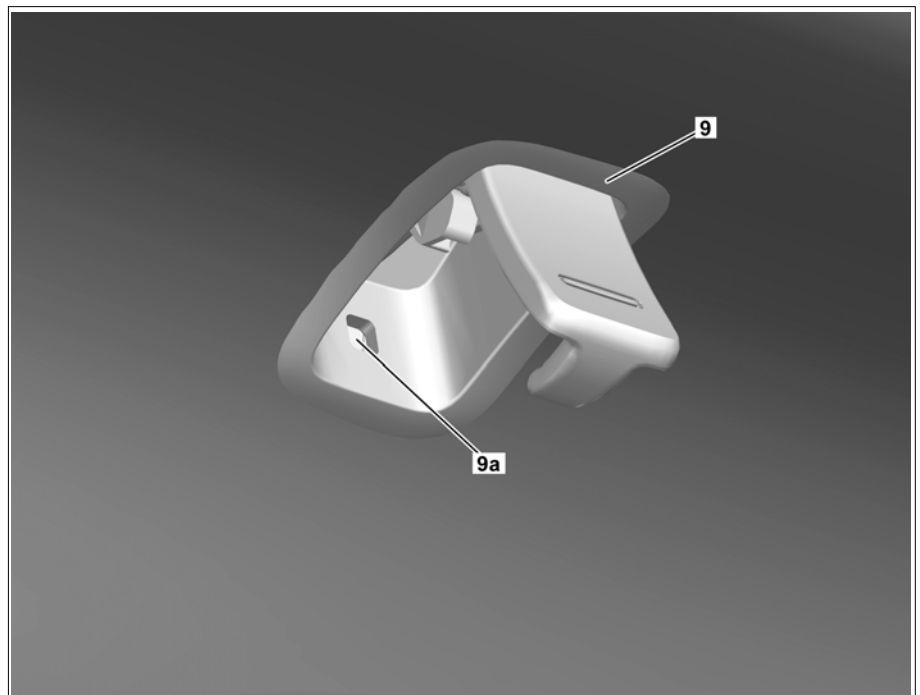
Shown on vehicle with code 413
(Panoramic sliding sunroof) up to model
year 2018

- 1 Headliner
- 5 Front roller sun blind
- 6 Rear roller sun blind
- 7 Headliner service flap
- 8 Edge guard
- 9 Coat hook
- N70 Overhead control panel control unit



P68.30-3990-05

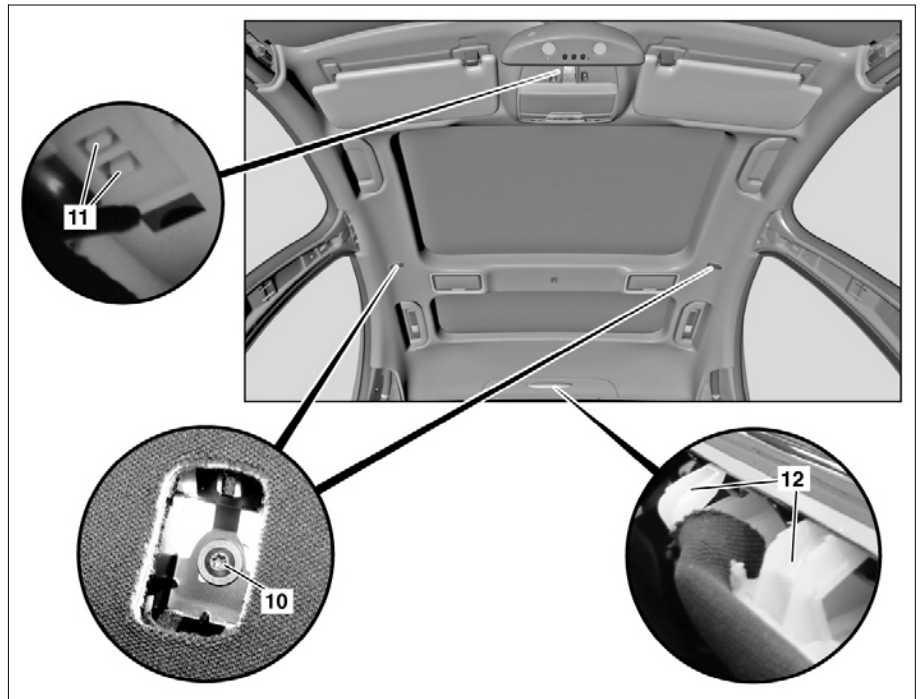
- 9 Coat hook
- 9a Retaining clamp



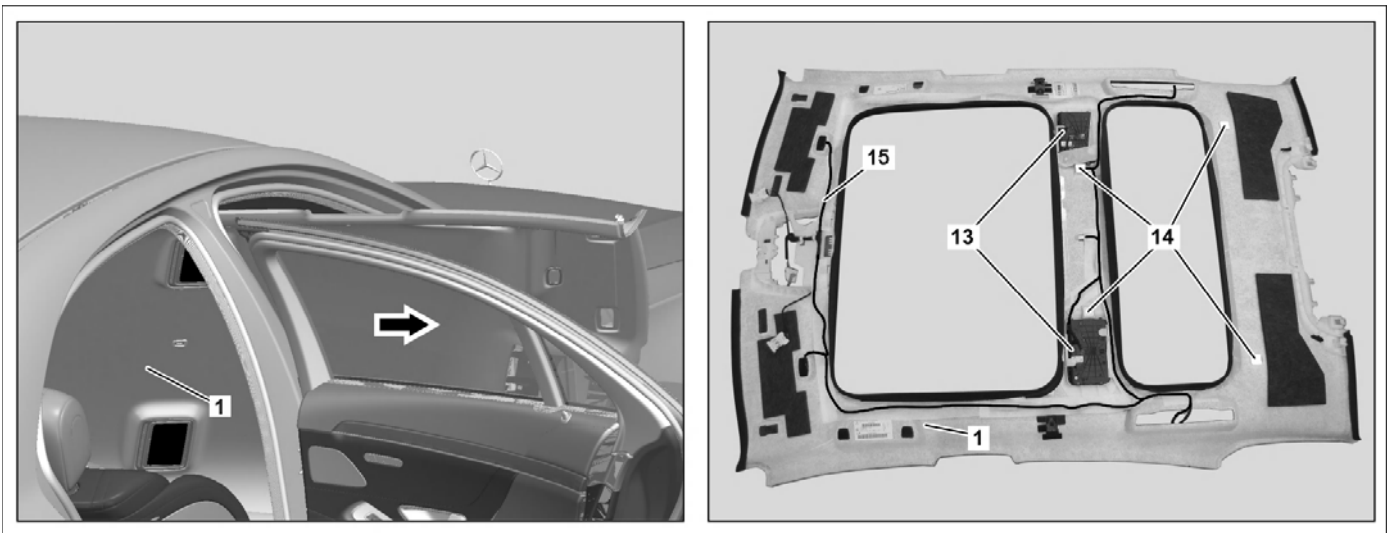
P68.30-4007-06

Shown on vehicle with code 413
(Panoramic sliding sunroof) up to model
year 2018

- 10 Screw
- 11 Retaining clips
- 12 Guide hook



P68.30-3711-06



P68.30-3991-08

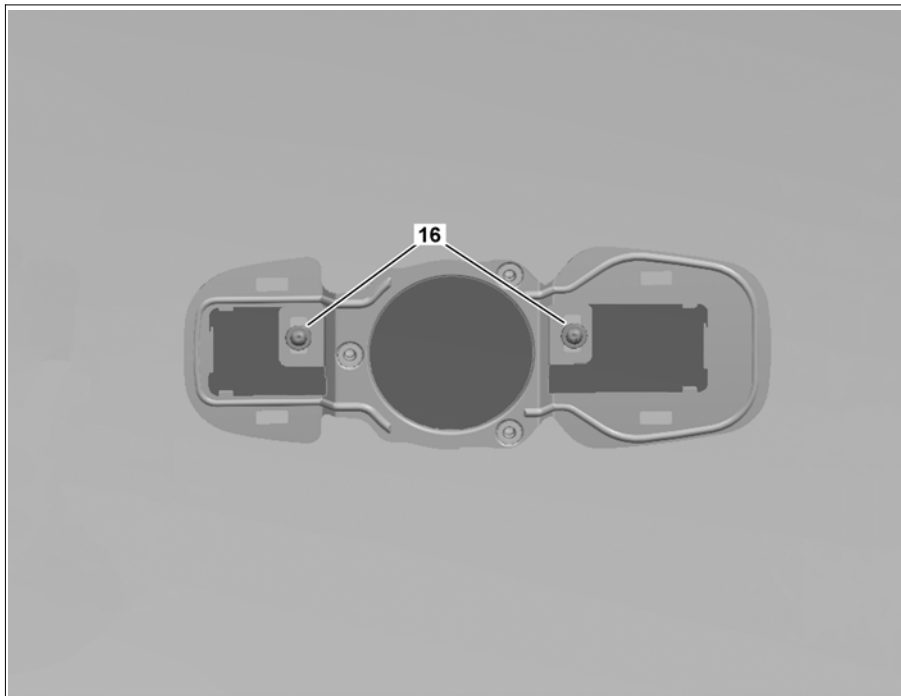
Shown on vehicle with code 413 (Panoramic sliding sunroof) up to model year 2018

1 Headliner

14 Solenoids

Shown with code 811 (Advanced sound system), code 413 (Panoramic sliding sunroof) up to model year 2018

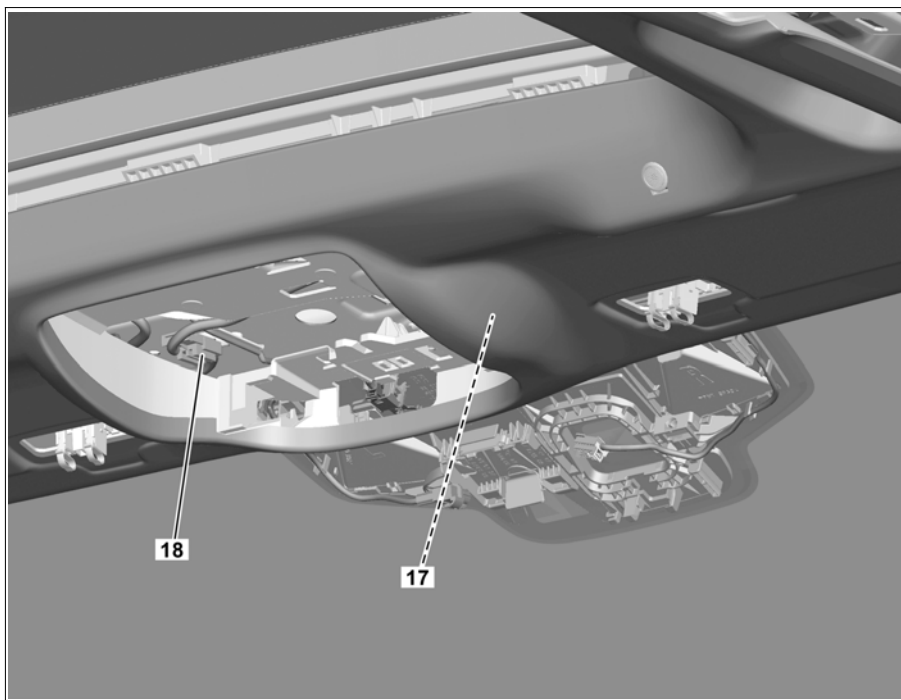
16 Bolts



P68.30-3992-06

Shown on vehicle as of model year 2018

17 Electrical connector
18 Electrical connector



P68.30-4001-06

	Information on preventing damage to electronic components due to electrostatic discharge		AH54.00-P-0001-01A
	Remove/install		
1	Remove sun visors		AR68.60-P-5480NKB
2	Remove handle from roof		AR68.30-P-4330NKB
3	Remove paneling on C-pillars	Model 222.1 Model 222.9 except code Z07 (Top protection)	AR68.30-P-4490LF AR68.30-P-4490LFA
4	Remove headliner service flap (7)		
5	Remove paneling from B-pillars		AR68.30-P-4700LF
6	Remove paneling from A-pillars		AR68.30-P-4050LF
7	Remove cover from inside rearview mirror		
8	Open front roller sunblind (5) and rear roller sunblind (6)	Model 222.1 with code 413 (Automatic panoramic sliding sunroof) Model 222.9 except code Z07 (Top protection)	

9	Release retaining clips (9a) and remove coat hooks (9)	Model 222.1 with code 398 (Panoramic roof with MAGIC SKY CONTROL) Model 222.1 with code 413 (Automatic panoramic sliding sunroof) Model 222.9 except code Z07 (Top protection)	
10	Fully move front passenger seat to rear		
11	Bring front passenger seat into fully reclined position		
12	Remove overhead control panel control unit (N70)		AR82.20-P-1000LF
13	Detach edge guard (8) in left area of roof lining (1)		
14	Detach edge guard (8) in right area of roof lining (1)		
15	Remove rear air conditioner housing	Model 222.1 with code 582 (Rear air conditioner) Model 222.9 with code 582 (Rear air conditioner) except code Z07 (Top protection)	AR83.50-P-9020LF
16	Remove glove compartment		AR68.10-P-1400LF
17	Remove driver seat		AR91.10-P-1000LF
18	Remove screws (10)	Model 222.1 with code 398 (Panoramic roof with MAGIC SKY CONTROL) Model 222.1 with code 413 (Automatic panoramic sliding sunroof) Model 222.9 except code Z07 (Top protection)	
19	Remove center speaker in roof lining (1)	Model 222.1 up to model year 2018 with code 811 (Advanced sound system) Model 222.9 up to model year 2018 with code 811 (Advanced sound system) except code Z07 (Top protection)	AR82.62-P-7876LF
20	Remove screws (16)	Model 222.1 up to model year 2018 with code 811 (Advanced sound system) Model 222.9 up to model year 2018 with code 811 (Advanced sound system) except code Z07 (Top protection)	
21	Unclip retaining clips (11)		
22	Detach roof lining (1) from roof paneling	Model 222.1 with code 413 (Automatic panoramic sliding sunroof) Model 222.9 except code Z07 (Top protection) i Detach roof lining (1) at panoramic sliding sunroof frame. i Roof lining (1) is secured with four magnets (14) to roof paneling. i Helper required.	
23	Slide roof lining (1) toward rear until guide hooks (12) are guided out of roof paneling mounts	i Helper required.	
24	Release and disconnect electrical connection (17)		
25	Release and disconnect electrical connection (18)	Model 222.1 as of model year 2018 Model 222.9 as of model year 2018 except code Z07 (Top protection)	
26	Guide headliner (1) to passenger side in direction of arrow	i Helper required.	
27	Modify detachable parts of roof lining (1)	When replacing roof paneling (1).	AR68.30-P-4304LFM
28	Install in the reverse order		