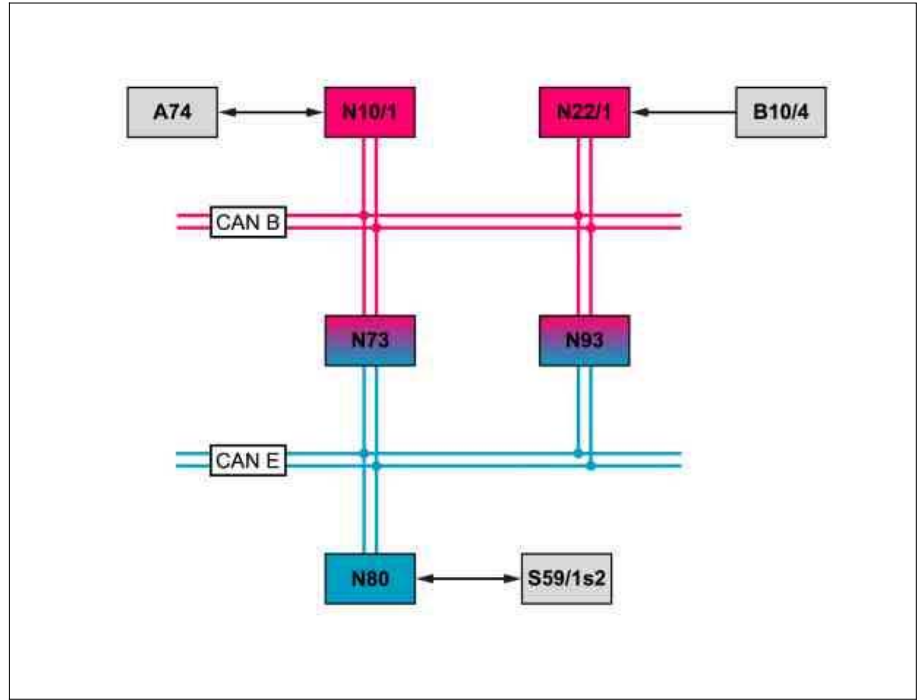


- A74 Steering wheel heater electronics
- B10/4 Interior air temperature sensor
- N10/1 Front SAM control unit with fuse and relay module
- N22/1 AAC [KLA] control unit
- N73 EIS [EVS] control unit
- N80 Steering column module
- N93 Central gateway control unit
- S59/1s2 Steering wheel heater switch

- CAN B Interior CAN
- CAN E Chassis CAN



P46.11-2062-76