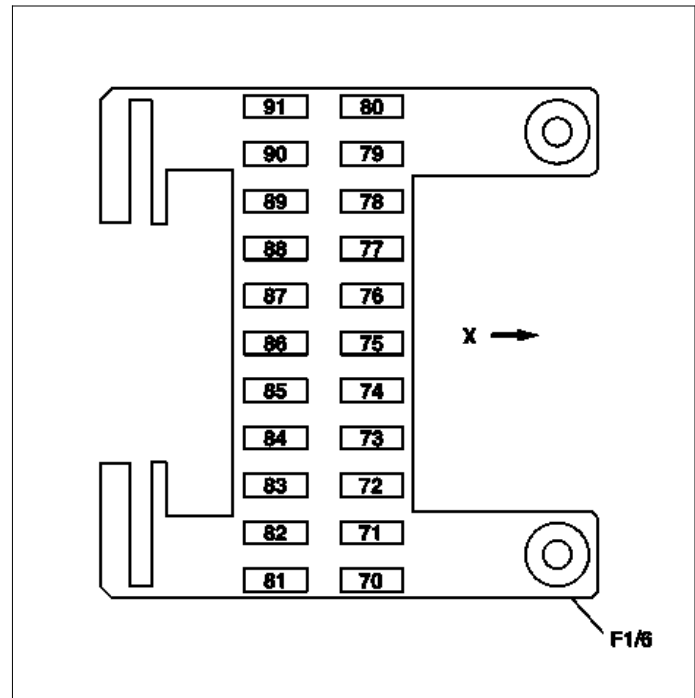


F1/6 Right instrument panel fuse box

X Direction of travel



P54.15-3008-12

Fuse	Clamping device	Cable ID (cable fused)	Fused function	Rating in amperes (A)
f70	30	4.0 RD	<ul style="list-style-type: none"> Right door control unit (N69/2) (model 216) Right front door control unit (N69/2) (model 221) 	40
f71	30	1.5 RD	Valid for code (889) Keyless Go: <ul style="list-style-type: none"> KEYLESS-GO control unit (N69/5) 	15
f72	30	0.75 RD	Valid for model 221.095/195: <ul style="list-style-type: none"> Pyrotechnical separator (K88) 	7.5
f73	30	0.5 RD	Valid for code (498) Japanese version: <ul style="list-style-type: none"> COMAND controller unit (A40/3) 	5
		0.75 RD	Valid for code (359) TELE AID emergency call system: <ul style="list-style-type: none"> Emergency call system control unit (N123/4) 	
f74	30	4.0 RD	Valid for model 216, model 221 with code (881) Remote trunk closing (RTC): <ul style="list-style-type: none"> TLC [HDS] control unit (N121) 	30
f75	30	0.75 RD	Valid for model 221.095/195: <ul style="list-style-type: none"> Battery management system control unit (N82/2) 	10
		1.0 RD	<ul style="list-style-type: none"> Power electronics control unit (N129/1) 	
f76	30	4.0 RD	Valid for model 221 with engine 642.8: <ul style="list-style-type: none"> AdBlue® relay supply (K27/7) 	-
f77	30	-	<ul style="list-style-type: none"> Spare 	-
f78	30	2.5 RD	Valid for model 221.179 with engine 275: <ul style="list-style-type: none"> Coolant additional fan (M4/2) 	30
		1.0 RD	Valid for model 221.074/174 and model 261.374 with engine 157, 278: <ul style="list-style-type: none"> Charge air cooler circulation pump (M44) 	15
f79	30	0.5 RD	Valid for code (551) Antitheft alarm system (ATA [EDW]): <ul style="list-style-type: none"> Alarm signal siren (H3/1) 	7.5
f80	30	4.0 RD	<ul style="list-style-type: none"> Left door control unit (N69/1) (model 216) Left front door control unit (N69/1) (model 221) 	40
f81	30	2.5 RD	Valid for model 216: <ul style="list-style-type: none"> Rear control unit (N22/6) 	30
		4.0 RD	Valid for model 221: <ul style="list-style-type: none"> Left rear door control unit (N69/3) 	40
f82	30	2.5 RD	Valid for model 216: <ul style="list-style-type: none"> Rear control unit (N22/6) 	30
		4.0 RD	Valid for model 221: <ul style="list-style-type: none"> Right rear door control unit (N69/4) 	40
f83	30	2.5 RD	<ul style="list-style-type: none"> Intelligent servo module for DIRECT SELECT (A80) 	30
f84	30	-	<ul style="list-style-type: none"> Spare 	-
f85	30	1.0 RD	Valid for AMG: <ul style="list-style-type: none"> Illuminated door sill moldings 	10
f86	30	-	<ul style="list-style-type: none"> Spare 	-

f88	30	-	<ul style="list-style-type: none"> ● Spare 	-
f89	30	-	<ul style="list-style-type: none"> ● Spare 	-
f90	30	2.5 RD	Valid for code (228) stationary heater: <ul style="list-style-type: none"> ● STH heater unit (A6) (model 216) ● STH or HB heater unit (A6) (model 221) 	20
f91	30	0.5 RD	Valid for code (228) stationary heater: <ul style="list-style-type: none"> ● STH radio remote control receiver (A6/1) 	5