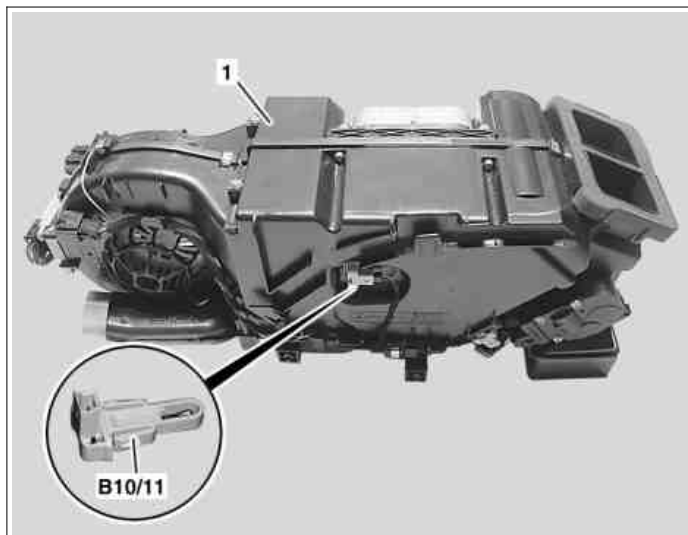


MODEL 221.0 /1 with CODE (582) Rear air conditioner

Shown on removed rear air conditioner housing

1 Rear air conditioner housing

B10/11 Rear air conditioning evaporator temperature sensor



P83.50-2129-11

☒ ☒	Remove/install		
1	Remove center console	Model 221 up to 31.5.09 except for code (800) Model year 2010 Model 221 as of 1.6.09 or with code (800) Model year 2010	AR68.20-P-2000SX AR68.20-P-2000SXH
2	Unclip rear air conditioning evaporator temperature sensor (B10/11), remove from rear air conditioner housing (1) and detach electrical connector		
3	Install in the reverse order		