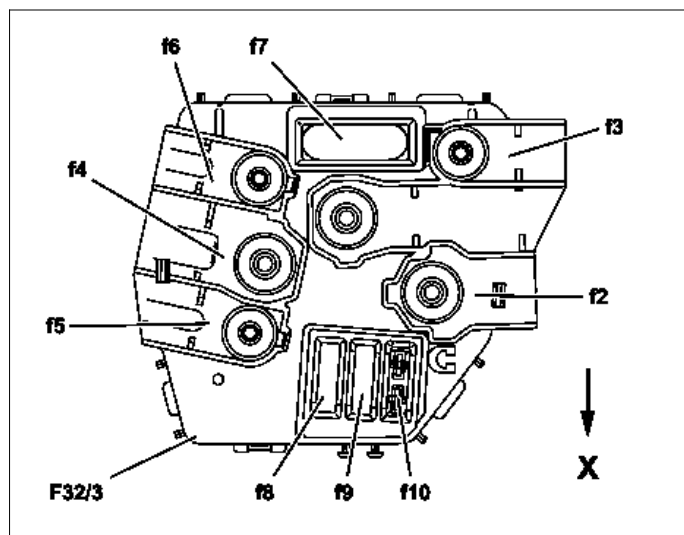


Engine compartment prefuse box

F32/3 Engine compartment prefuse box

X Direction of travel



P54.15-3193-11

Fuse	Clamping device	Cable ID (cable fused)	Fused function	Rating in amperes (A)
f2	30	50.0 RD	<ul style="list-style-type: none"> ● Alternator (G2) 	400
f3	30	10.0 RD 12.0 RD	<p>Valid for model 221 with engine 629, 642:</p> <ul style="list-style-type: none"> ● Glow time output stage (N14/3) <p>Valid for model 221.003/026/057/073/074/083/082/094/103/126/157/173/174/182/183/194, for model 221.054/056/080/084/086/087/154/156/180/184/186/187 as of 1.6.09, for model 221.070/170 as of 1.6.09 up to 31.8.10 without code (487) Active Body Control (ABC), for model 221.070/170 as of 1.9.10, for model 221.071/171 as of 1.6.09 without code (487) Active Body Control (ABC), for model 216.373/394:</p> <ul style="list-style-type: none"> ● Electrohydraulic power steering (A91/1) 	150
f4	30	35.0 RD	<ul style="list-style-type: none"> ● Interior prefuse box (F32/4) 	unfused
f5	30	12.0 RD	<ul style="list-style-type: none"> ● AAC with integrated control additional fan motor (M4/7) 	100
f6	30	16.0 RD	<ul style="list-style-type: none"> ● Front SAM control unit with fuse and relay module (N10/1) 	150
f7	30	4.0 RD	<p>Not valid for model 221.095/195:</p> <ul style="list-style-type: none"> ● ESP control unit (N47-5) 	40
f8	30	2.5 RDBK	<p>Not valid for model 221.095/195:</p> <ul style="list-style-type: none"> ● ESP control unit (N47-5) 	25
f9	30	-	<ul style="list-style-type: none"> ● Spare 	-
f10	30	2.5 RD	<ul style="list-style-type: none"> ● Front SAM control unit with fuse and relay module (N10/1) 	25