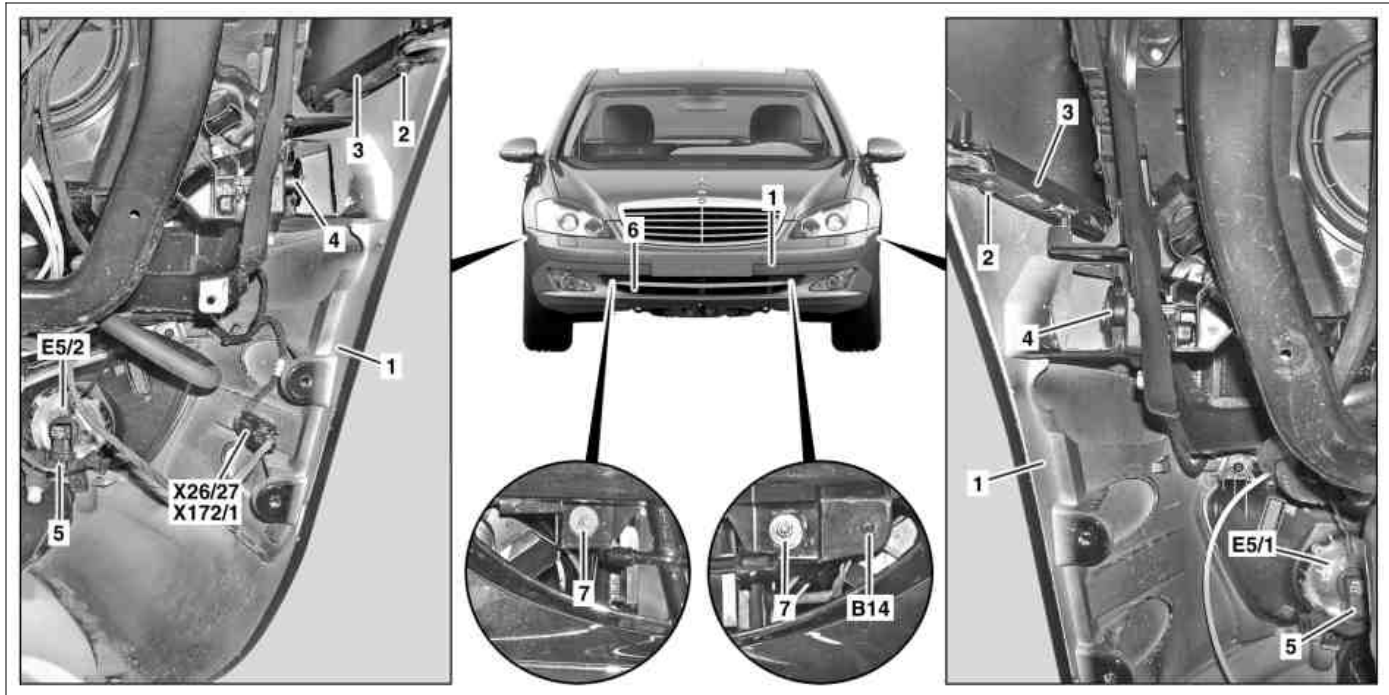


MODEL 216 up to model year 2011

MODEL 221



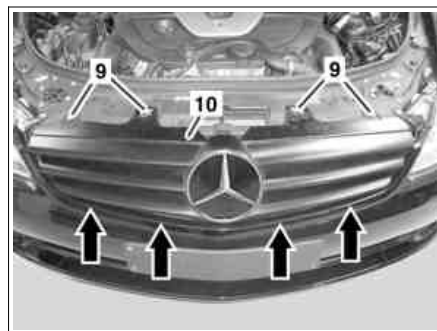
P88.20-2772-09

Shown on model 221

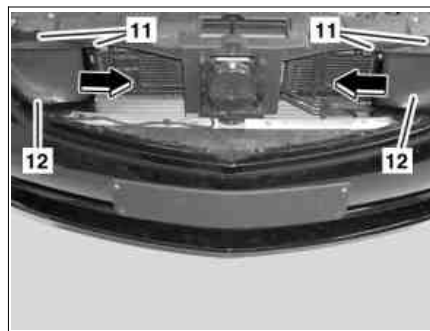
- 1 Front bumper
- 2 Screw
- 3 Terminal strip
- 4 Support
- 5 Electrical connector
- 6 Air inlet grille
- 7 Nut

- B14 Outside temperature display temperature sensor
- E5/1 Left front fog lamp
- E5/2 Right fog lamp

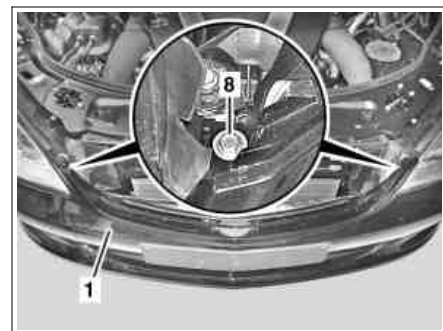
- X26/27 PTS connector, front bumper (on model 221 with code (220) Parktronic system (PTS), model 216)
- X172/1 Radar sensors/FFS connector, front bumper (with code (229) Park Assist)



P88.20-2926-01



P88.20-2927-01



P88.20-2773-01

Model 216 only

- 9 Bolts
- 10 Radiator grille





Model 216 only

- 11 Expansion clip
- 12 Cover

Shown on model 221

- 1 Front bumper
- 8 Screw

☒ ☒	Remove/install		
<p>⚠ Danger!</p>	<p>Risk of death caused by vehicle slipping or toppling off of the lifting platform.</p>	<p>Align vehicle between the columns of the lifting platform and position the four support plates at the lifting platform support points specified by the vehicle manufacturer.</p>	<p>AS00.00-Z-0010-01A</p>
1	Lift vehicle on lifting platform.		
2	Remove fender liner front section from left fender and right fender		
3.1	Unclip air inlet grate (6)	Model 221 only	
4	Unscrew nuts (7) at bottom of front bumper (1)		
5	Unclip outside temperature indicator temperature sensor (B14)		
6.1	Disconnect PTS, front bumper connector	On model 221 with code (220) Parktronic	

6.2	Disconnect radar sensors/FFS connector, front bumper (X172/1)	with code (229) Park assistant	
7	Disconnect electrical connector (5) from left front fog lamp (E5/1) and right front fog lamp (E5/2)		
8	Unscrew bolt (2) on left and right clamping strip (3) and pivot left and right clamping strip (3) toward inside and remove		
9.1	Unscrew bolts (9) and unclip radiator paneling (10) (arrows)	Model 216 only	
10.1	Remove expansion clips (11) and unclip cover (12) (arrows)	Model 216 only	
11	Unscrew bolt (8)		
12.1	Lift left and right front fender in area of lamp unit with assembly wedge until retaining clip on front bumper (1) is exposed	Model 216 only 	*110589035900
13	Remove front bumper (1)	 Installation: Check gaps on front bumper (1), adjust if necessary. Model 216 Gap dimensions on hoods, doors and lids  Model 221 Gap dimensions on hoods, doors and lids Model 221 	AR60.00-P-0700-01SC *BE60.00-P-1001-01T *129589032100 AR60.00-P-0700-01SX *BE60.00-P-1001-01R *129589032100
14	Install in the reverse order		
15	Check adjustment for left front fog lamp (E5/1) and right front fog lamp (E5/2), correct if necessary		

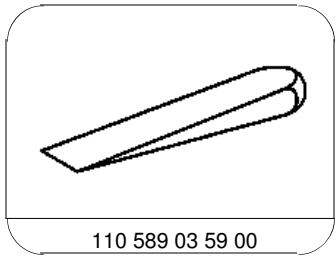
Check values for gaps

Number	Designation			Model 216 up to model year 2011	Model 216 as of model year 2011	
BE60.00-P-1001-01T	Gap dimension	Engine hood to fender	Dimension "A"	mm	3.5 (±0.5)	3.5 (±0.5)
		Engine hood to headlamp	Dimension "B"	mm	3.5 (±0.5)	3.5 (±0.5)
		Engine hood to A-pillar	Dimension "D"	mm	4.0 (±0.5)	4.0 (±0.5)
		Radiator grille/bumper	Dimension "C"	mm	5.0 (±1.0)	2.0 (±1.0)
		Engine hood to bumper	Dimension "P"	mm	5.0 (±1.0)	5.0 (±1.0)
		Bumper to headlamp	Dimension "Q"	mm	3.5 (±0.5)	3.5 (±0.5)
		See picture			AR60.00-P-0700-01SC	AR60.00-P-0700-01SC

Check values for gaps

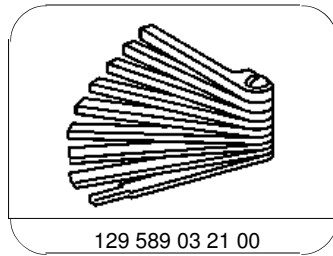
Number	Designation	Model 221

BE60.00-P-1001-01R	Gap dimension	Engine hood to fender	Dimension "A"	mm	3.5 (± 0.5)
		Engine hood to headlamp	Dimension "B"	mm	3.5 (± 0.5)
		Radiator grille/bumper	Dimension "C"	mm	5 (± 1)
		Engine hood to bumper	Dimension "P"	mm	5 (± 1.5)
		Bumper to headlamp	Dimension "Q"	mm	3.5 (± 0.5)
		Bumper to fender	Dimension "R"	mm	3.5 (± 0.5)
		See picture			



110 589 03 59 00

Mounting wedge



129 589 03 21 00

Feeler gauge