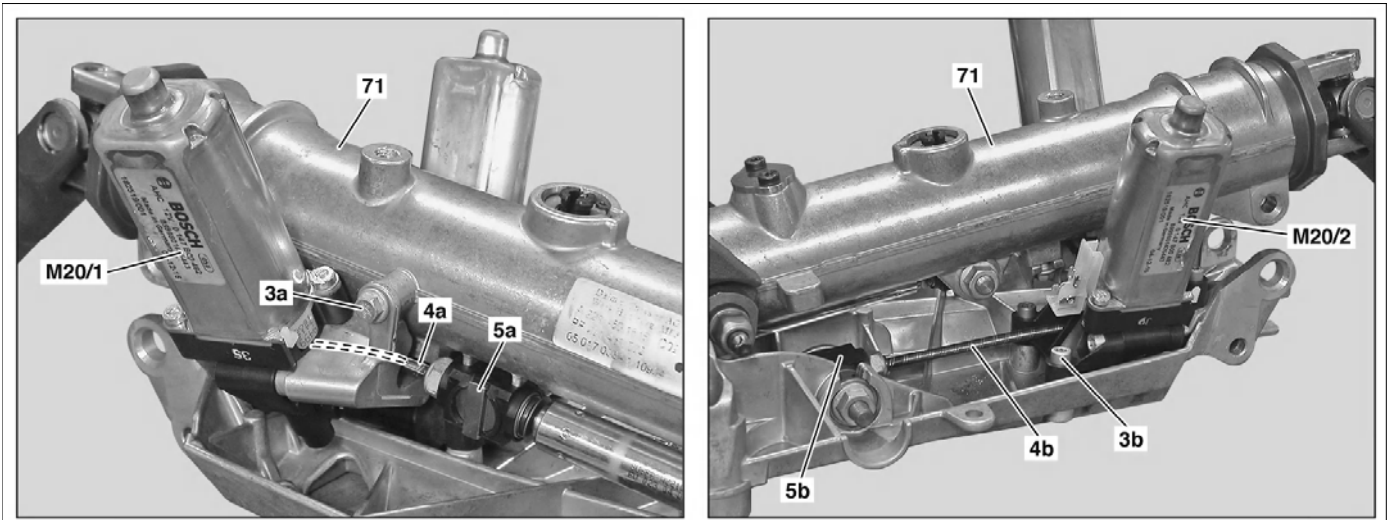


P46.10-2728-08

- 1 Screw
- 2 Bow
- 71 Jacket tube

- 87 Mounting console
- A Knee-lever connection

- M20/1 Steering column in/out motor
- M20/2 Steering column up/down motor



P46.10-2729-08

- 3a, 3b Screw
- 4a, 4b Shaft


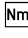
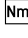
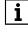
- 5a, 5b Bearing bracket
- 71 Jacket tube

- M20/1 Steering column in/out motor
- M20/2 Steering column up/down motor

**Modification notes**

13.5.09	Changed connector assignment on steering column adjustment motor	Model 221 up to chassis number 133758	BT46.10-P-0625-01SX
---------	--	---------------------------------------	---------------------

	<b>Remove/install</b>		
	Notes on self-locking nuts and bolts		AH00.00-N-0001-01A
1	Remove steering column tube (71)	The motors (M20/1, M20/2) are extremely sensitive to the effects of side force and shocks. Do not handle at the motors (M20/1, M20/2), otherwise these will be damaged. Model 221 up to chassis number 133758	AR46.10-P-0400SX
	Changed connector assignment on steering column adjustment motor	Only when replacing the steering column tube or steering column adjustment motor	BT46.10-P-0625-01SX
2	Remove bolt (1) and take off bracket (2)	<b>Installation:</b> Observe assembly instructions. See Detach/attach mounting console at steering column tube.	AR46.10-P-0600-10SX

3	Swivel steering column tube (71) upwards out of mounting console (87) (arrow)	 For this do not loosen the knee-lever connections (A) under any circumstances as this causes play in the steering column.	
4	Remove bolts (3a, 2 pieces) and detach motor (M20/1) from shaft (4a)	 Nm	*BA46.10-P-1005-03P
5	Remove bolts (3b, 4 pieces) and detach motor (M20/2) from shaft (4b)	 Nm	*BA46.10-P-1004-03P
6	If necessary pull shaft (4a or 4b) out of bearing bracket (5a or 5b)	 <b>Installation:</b> Insert the side of the shaft provided with a blue color coding (4a or 4b) into the bearing bracket (5a or 5b).	
7	Install in the reverse order		

 **Jacket tube**

Number	Designation		Model 216	Model 221
BA46.10-P-1004-03P	Bolt, steering column up/down motor to mounting console	Nm	4	5
BA46.10-P-1005-03P	Bolt, steering column in/out motor to steering column tube	Nm	6	6