

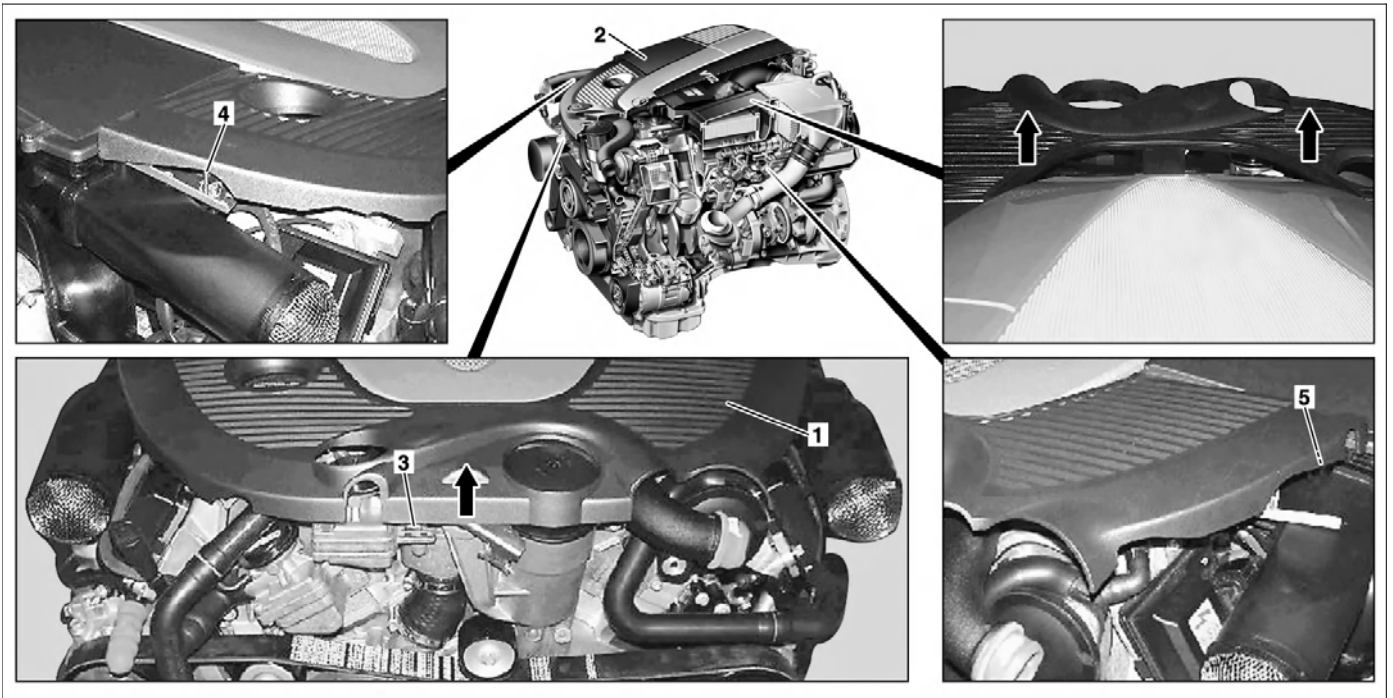
ENGINE 275.950 in MODEL 215.376, 220.176

ENGINE 275.951 in MODEL 230.476

ENGINE 275.953 in MODEL 216.376, 221.176

ENGINE 275.954 in MODEL 230.477

ENGINE 285 in MODEL 240



P01.10-2383-09

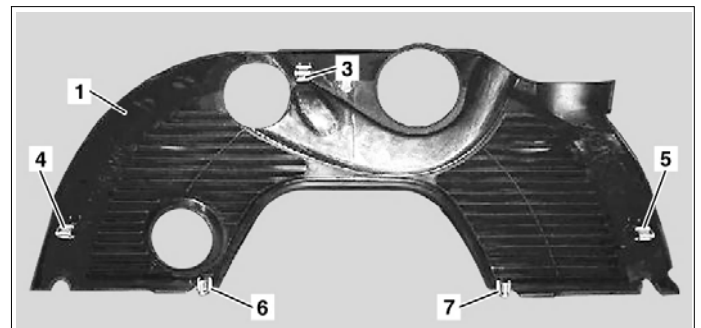
Shown on engine 275

- 1 Front engine cover
- 3 Mounting clip

- 2 Rear engine cover
- 3 Mounting clip

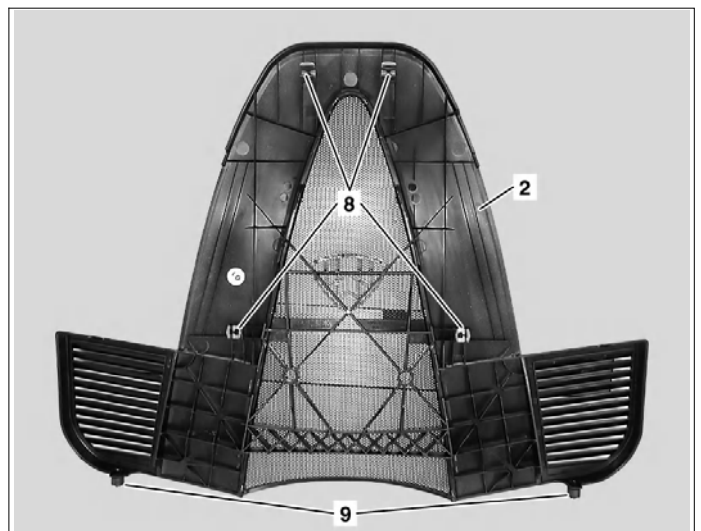
- 4 Mounting clip
- 5 Mounting clip

- 1 Front engine cover
- 3 Mounting clip
- 4 Mounting clip
- 5 Mounting clip
- 6 Mounting clip
- 7 Mounting clip



P01.10-2384-10

- 2 Rear engine cover
- 8 Mounting clip
- 9 Bracket



P01.10-2399-11

☒ ☒	Remove/install		
1	Lift the front engine cover (1) in the area of the mounting clamp (3) (arrow) and unclip the mounting clamp (3)	⚠ Only lift the front engine cover (1) as far as necessary otherwise the engine cover can be damaged.	
2	Lift the front engine cover (1) in the area of the mounting clamps (4, 5) and unclip the mounting clamps (4, 5)	⚠ Only lift the front engine cover (1) as far as necessary otherwise the engine cover can be damaged.	
3	Unclip mounting clamps (6, 7)	i Grip between the front engine cover (1) and the rear engine cover (2) with one hand and lift the front engine cover (1).	
4	Remove front engine cover (1)		
5	Lift the rear engine cover (2) and unclip the mounting clamps (8)	⚠ Only lift the rear engine cover (2) as far as necessary otherwise the engine cover can be damaged.	
6	Pull out the brackets (9) from the supports on the charge air coolers and remove the rear engine cover (2)		
7	Install in the reverse order		