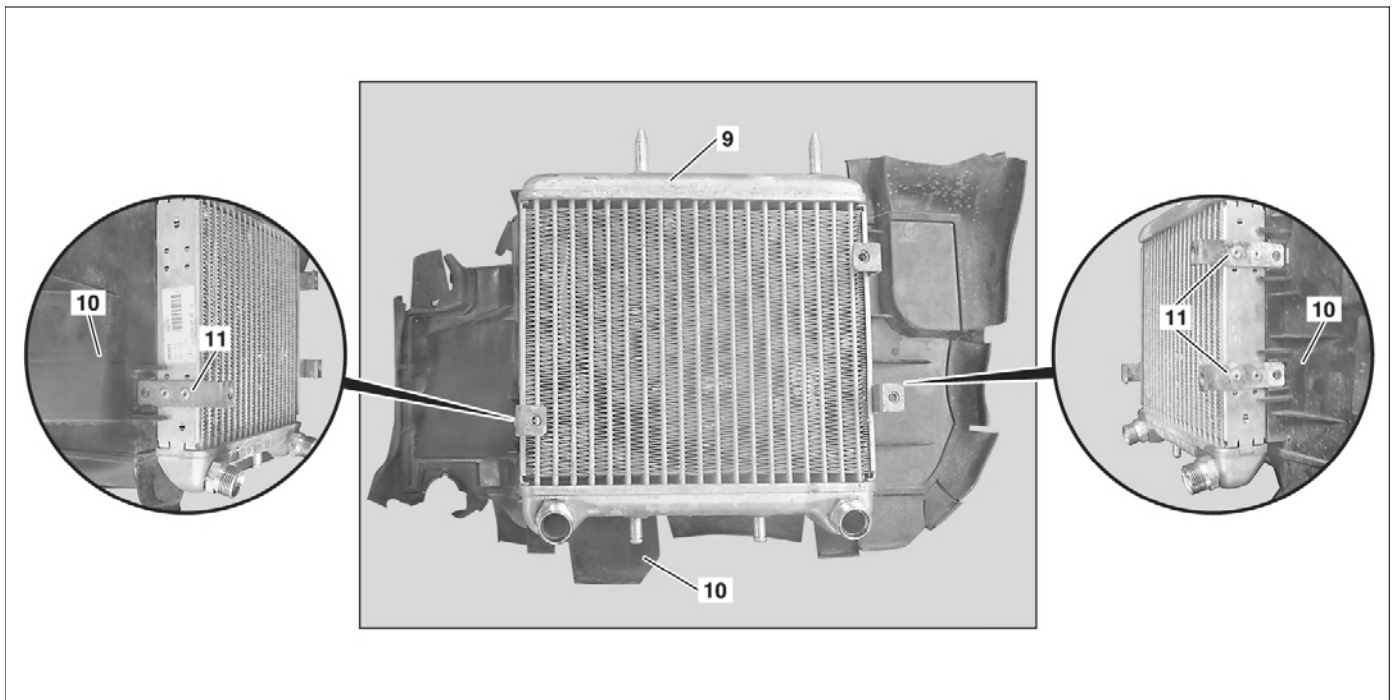


P18.30-2098-09




- |                                 |                      |                     |
|---------------------------------|----------------------|---------------------|
| 1 Engine oil line               | 4 Screw              | 7 Hose              |
| 2 Securing clamp                | 5 Screw              | 8 Pump              |
| 3 Connector for electrical line | 6 Oil cooler bracket | 9 Engine oil cooler |



P18.30-2099-09

- |                     |                |                         |
|---------------------|----------------|-------------------------|
| 9 Engine oil cooler | 10 Air ducting | 11 Bracket for air duct |
|---------------------|----------------|-------------------------|

	Remove/install		
1	Remove lower engine compartment paneling	Vehicles without code (Z07) Top protection Vehicles with code (Z07) Top protection	AR61.20-P-1105SX AR61.20-P-1105SXS
2	Remove front section of fender liner in right front fender		
3	Unplug connector (3)		
4	Detach hose (7)		
5	Detach engine oil line (1) from engine oil cooler (9)	Collect engine oil in reservoir. 	*BA18.30-P-1003-01B

6	Detach safety clamp (2) from engine oil cooler (9)		
7	Remove bolts (4, 5) and remove engine oil cooler (9) with air ducting (10) from bracket (11)	Nm Nm	*BA18.30-P-1008-01B *BA18.30-P-1015-01B
8	Unclip air ducting (10) from bracket (11)	When replacing the engine oil cooler (9)	
	<b>Checking</b>		
9	Check rubber mount at bracket (11) and front end	Check rubber mount for wear and correct fitting, replace if necessary. Lubricant paste	*BR00.45-Z-1002-06A
10	Install in the reverse order		
11	Check engine oil level about 5 minutes after switching off the warm engine, if necessary adjust to correct level Engine oil and filter change		AP18.00-P-0101SZ
 <b>AP</b>			
 <b>Danger!</b>	<b>Risk of accident</b> caused by vehicle starting off by itself when engine is running. <b>Risk of injury</b> caused by contusions and burns during starting procedure or when working near the engine as it is running	Secure vehicle to prevent it from moving by itself. Wear closed and snug-fitting work clothes. Do not touch hot or rotating parts.	AS00.00-Z-0005-01A
12	Check for leaks with engine running		

### Oil cooling system

Number	Designation	Engine 275.950/ 951/953/ 954, 285
BA18.30-P-1003-01B	Union nut of oil line to oil cooler	Nm 30
BA18.30-P-1008-01B	Bolt connecting retaining bracket of engine cooler to front end assembly	Nm 8
BA18.30-P-1015-01B	Bolt connecting retaining bracket of engine radiator to radiator support	Nm 8

### Repair materials

Number	Designation	Order number
BR00.45-Z-1002-06A	Lubricating paste, rubber parts 2.5 kg, DB supply specification 6867.00	A 000 989 01 60