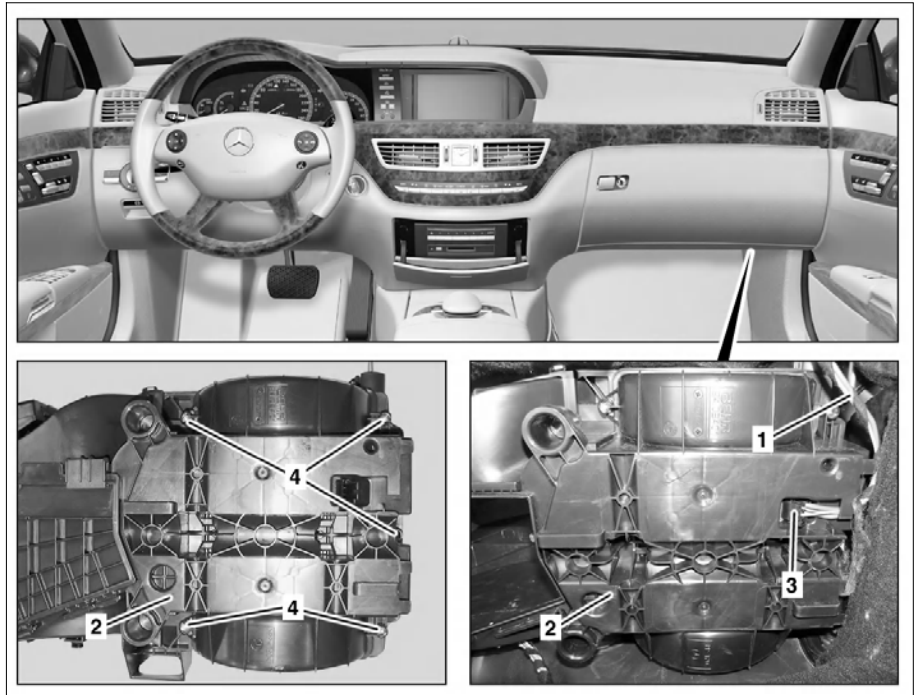
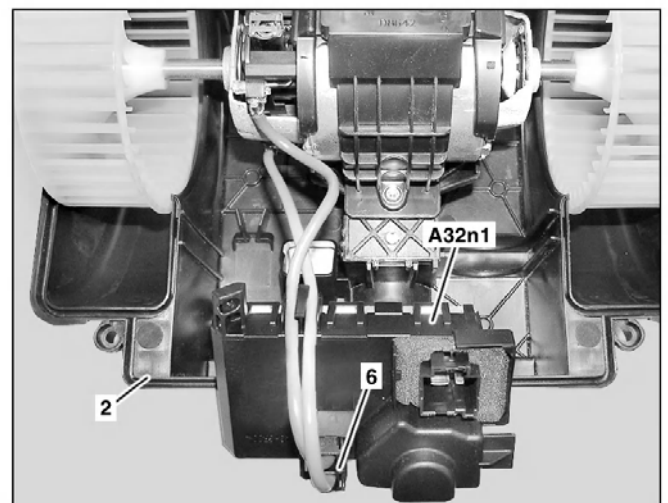
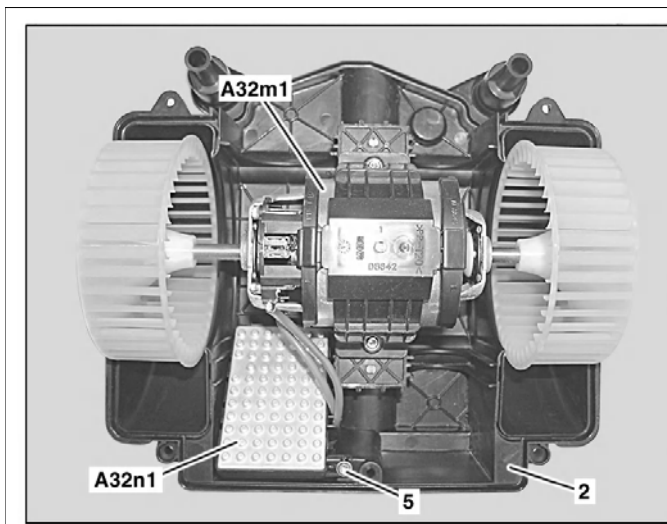


Illustrated on model 221

- 1 Wiring harness
- 2 Housing
- 3 Electrical connector
- 4 Bolts



P83.10-2518-06



P83.10-2520-08

- 2 Housing
- 5 Bolt
- 6 Electrical connector

- A32m1 Blower motor
- A32n1 Blower regulator

☒ ☒	Remove/install		
1	Switch off ignition and withdraw transmitter key or Keyless Go start/stop button from the EIS [EZS] control unit	i Keyless Go start/stop button only for vehicles with code (889) Keyless Go.	
2	Remove cover below instrument panel on right		AR68.10-P-1520SX
3	Expose electrical wiring harness (1) on housing (2) of blower motor (A32m1) and detach electrical connector (3)		
4	Remove bolts (4)		
5	Remove housing (2) with blower motor (A32m1) from air conditioner housing		
6	Unscrew bolt (5).		
7	Remove blower regulator (A32n1) from housing (2) and detach electrical connector (6)		
8	Install in the reverse order		