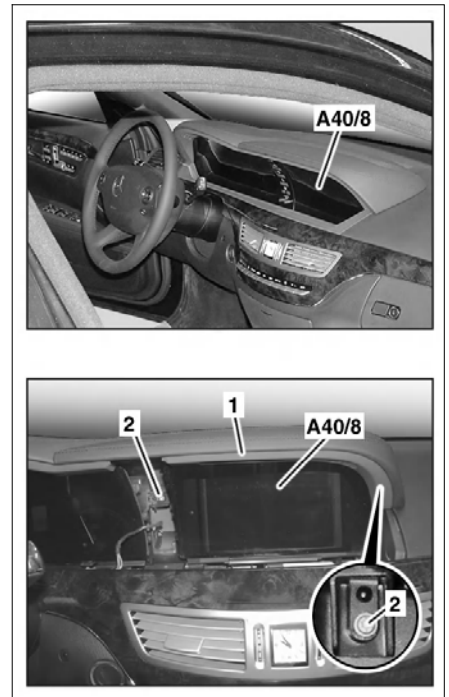




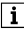
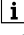


Illustrated on model 221

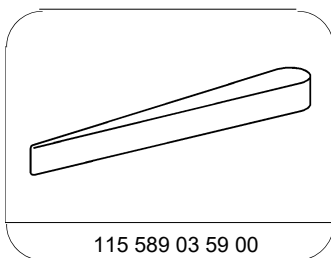
- 1 Covering
- 2 Bolt

A40/8 COMAND display



P54.30-9044-03

	Remove/install		
1.1  	Stage basic data of COMAND display (A40/8) in STAR DIAGNOSIS  Connect STAR DIAGNOSIS and read out fault memory	When replacing COMAND display (A40/8).   <b>Installation:</b> Transfer staged basic data to new COMAND display (A40/8).  STAR DIAGNOSIS diagnosis system	AD00.00-P-2000-04A  *WH58.30-Z-1048-13A
2	Switch off ignition and withdraw transmitter key or Keyless Go start/stop button from the EIS [EZS] control unit	 Keyless Go start/stop button only for vehicles with code (889) Keyless Go.	
3	In working area, cover trim strip on instrument panel with clean rag		
4	Remove cockpit switch group		AR54.25-P-1000SX
5	Unclip covering (1) above COMAND display (A40/8)		*115589035900
6  	Remove screws (2), remove COMAND display (A40/8) from instrument panel and detach electrical connector on rear  Notes on avoiding damage to electronic components due to electrostatic discharge		AH54.00-P-0001-01A
7	Install in the reverse order		



115 589 03 59 00

Long wedge

Commercially available tools

Number	Designation	
WH58.30-Z-1048-13A	STAR DIAGNOSIS diagnosis system, Compact Passenger Car	6511 1801 00