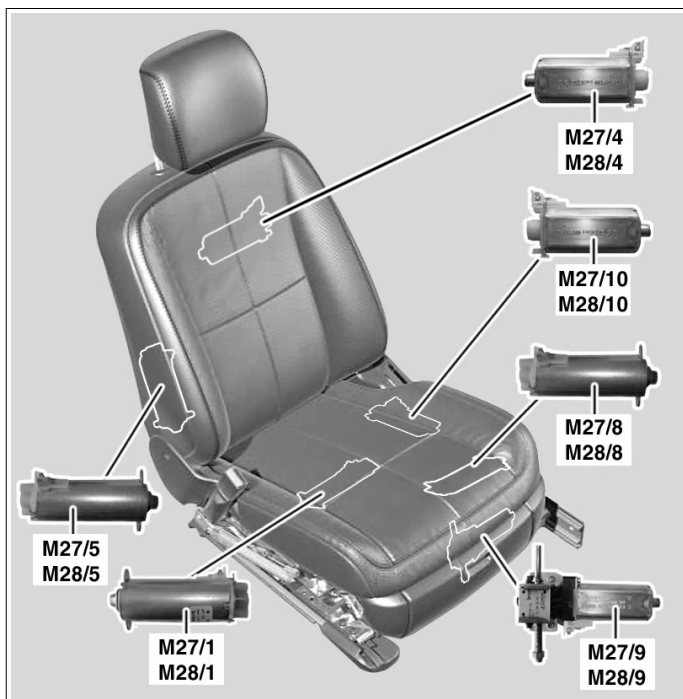


MODEL 216.3, 221.0 /1 up to Model Year 8

Shown on left front seat, model 221

M27/1	Left front seat fore/aft adjustment motor
M27/4	Left front head restraint motor
M27/5	Left front backrest angle adjustment motor
M27/8	Left front seat cushion fore/aft motor
M27/9	Left front seat cushion inclination motor
M27/10	Left front seat height adjustment motor
M28/1	Right front seat fore/aft adjustment motor
M28/4	Right front head restraint motor
M28/5	Right front backrest angle adjustment motor
M28/8	Right front seat cushion fore/aft motor
M28/9	Right front seat cushion inclination motor
M28/10	Right front seat height adjustment motor



P91.29-2411-12

Location

The motors are mounted in each seat at the bottom in the seat frame and in the backrest.

Task

Realization of the following adjustments:

- Head restraint adjustment
- Backrest adjustment
- Seat height adjustment
- Seat fore/aft adjustment
- Seat cushion forward/back adjustment
- Seat cushion inclination adjustment

Function

The motors are actuated by the left front seat control unit (N32/1) or right front seat control unit (N32/2).

A Hall sensor is located on each motor for position recognition.