

Name Electric control module, location / task / design / function

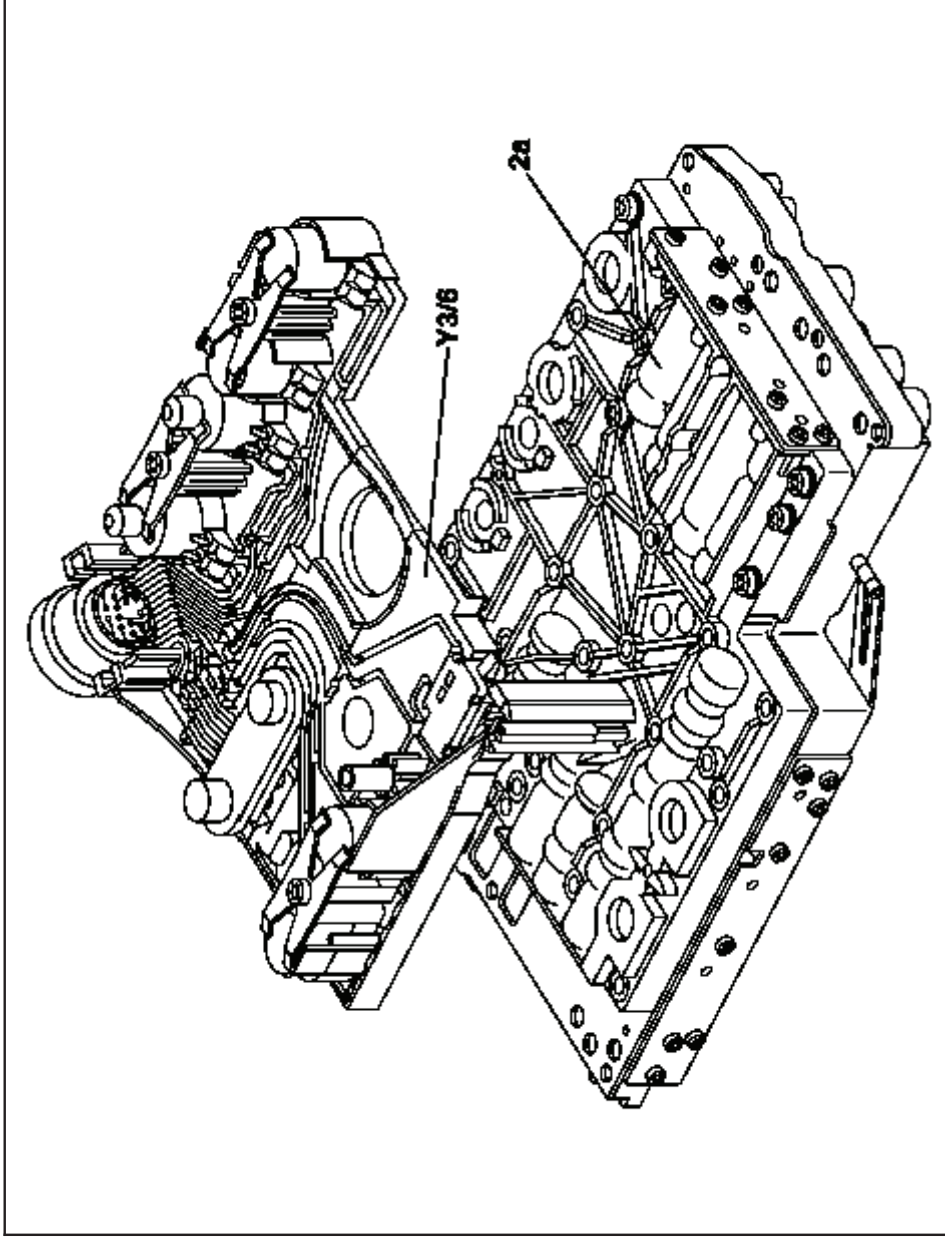
Document number gf2719p5104g

Document title Electric control module, location / task / design / function

TRANSMISSION 722.6

2a Valve housing of shift plate

Y3/6 Electric control unit



P27.19-2114-06

	Electric control module, location	Bolted onto the valve housing of shift plate (2a).	
	Electric control module, design	To receive various input signals and to convert the control module information into hydraulic functions.	
	Electric control module, design		GF27.19-P-5104-01G
	Electric control module, function		GF27.19-P-5104-02G