

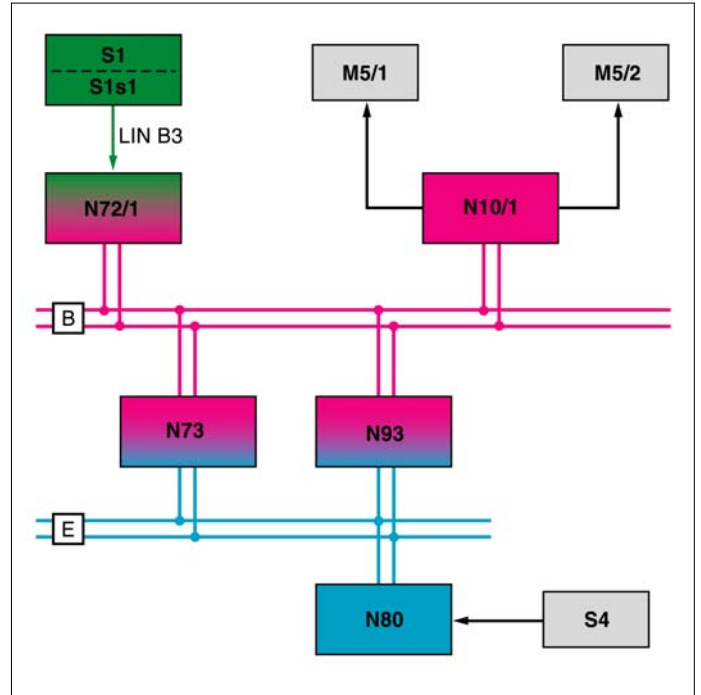
15.03.07

The document has been updated to this date and will no longer be subject to revision.

- M5/1 Windshield washer fluid pump
- M5/2 HCS [SRA] pump
- N10/1 Front SAM control unit with fuse and relay module
- N72/1 Upper control panel control unit
- N73 EIS [EZS] control unit
- N80 Steering column module
- N93 Central gateway control unit
- S1 Exterior lamp switch
- S1s1 HCS [SRA] switch
- S4 Combination switch

- B Interior CAN
- E Chassis CAN

LINB3 UCP LIN



P82.15-2152-82