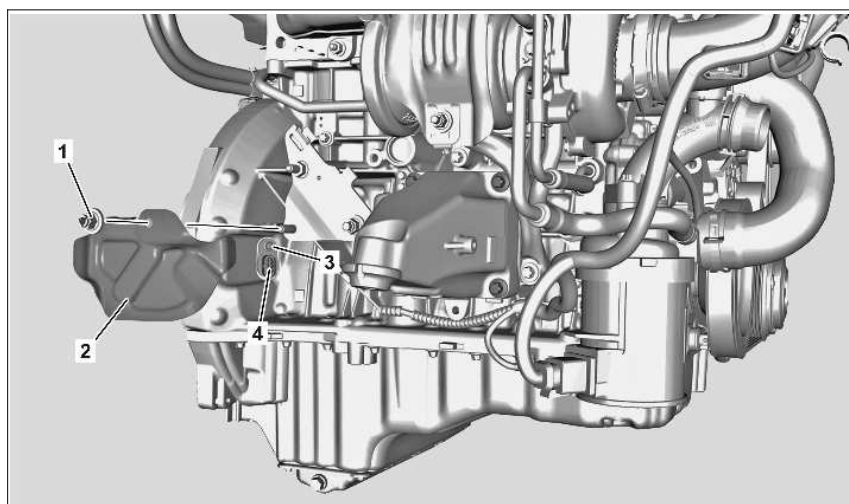


Engine 274.9 in model 213

Engine 274.9 in model 238

- 1 Nut
- 2 Heat shield
- 3 Screw
- 4 Crankshaft Hall sensor



P15.12-2207-05

| | | | |
|---------------------|---|--|--|
| Warning | Risk of injury. Skin or eye injuries may result when handling hot or glowing objects. | Wear protective gloves, protective clothing and safety glasses, if necessary. | AS00.00-Z-0002-01A |
| Topical note | Information on preventing damage to electronic components due to electrostatic discharge | | AH54.00-P-0001-01A |
| | Remove/install | | |
| 1 | Remove center and rear lower engine compartment paneling | | AR61.20-P-1105LWE |
| 2 | Remove heat shield at front axle transmission propeller shaft flange | Engine 274.9 in model 213 with transmission 725.0 with code M005 (4MATIC) Engine 274.9 in model 238 with transmission 725.0 with code M005 (4MATIC) | AR41.10-P-0070OLC |
| 3 | Unscrew nut (1) and remove heat shield (2) | M8 × 1.25 | *BA00.10-P-1005-04A |
| 4 | Release and disconnect electrical connection of Hall sensor on crankshaft (4) | | |
| 5 | Remove screw/bolt (3) and pull out Hall sensor on crankshaft (4) | Bolt, position sensor for crankshaft to crankcase/oil pan | *BA15.10-P-1001-03I |
| 6 | Install in the reverse order | | |
| 7 | Read out and erase fault memory | Engine 274.9 in model 213 Engine 274.9 in model 238 | AD00.00-P-2000-04B AD00.00-P-2000-06LWO |
| Warning | Risk of accident from vehicle starting off by itself when engine running. Risk of injury (bruises and burns) resulting from working on the engine while it is being started or when it is running. Perform an engine test run and check engine for proper function | Secure vehicle to prevent it from starting off by itself. Wear closed and snug-fitting work clothes. Do not touch hot or rotating parts. | AS00.00-Z-0005-01A |
| 8 | | | |

Metric screws/bolts and nuts as per MBN 10 105, 10 143

| Number | Designation | 8.8 | 10.9 |
|--------------------|-------------|-------|------|
| BA00.10-P-1005-04A | M8 × 1.25 | Nm 22 | 32 |

Position sensor

| Number | Designation | Engine 274 |
|--------|-------------|------------|
|--------|-------------|------------|

| | | | |
|--------------------|---|----|---|
| BA15.10-P-1001-03I | Bolt, position sensor for crankshaft to crankcase/oil pan | Nm | 9 |
|--------------------|---|----|---|