

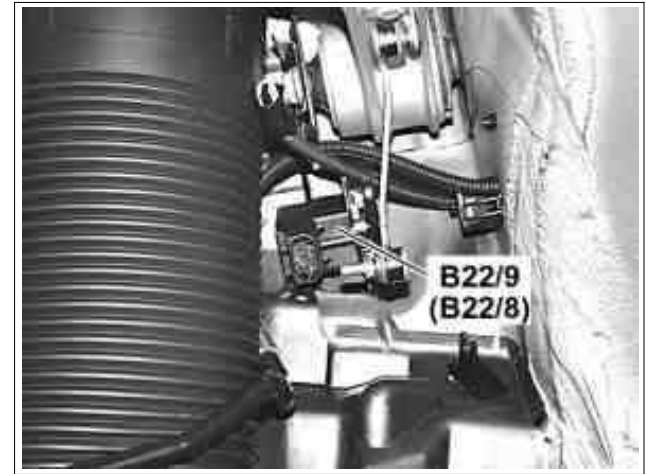
Document title Level sensor, component description

Document number gf3231p5105sx

MODEL 221
with CODE (489) Airmatic (semi-active air suspension)
up to Model Year 8

B22/8 Left front level sensor
B22/9 Right front level sensor

The level sensor are fitted near the front suspension struts.



P32.31-2061-01

B22/3 Rear axle level sensor

The rear axle level sensor is fitted to the stabilizer bar.



P32.31-2062-01

The three level sensors

- the left front level sensor,
 - the right front level sensor and
 - the rear axle level sensor
- are required to determine the current vehicle level.

The AIRmatic with ADS control unit (N51) supplies the level sensors with voltage. The level sensors supply variable voltage signals depending on the current vehicle level.