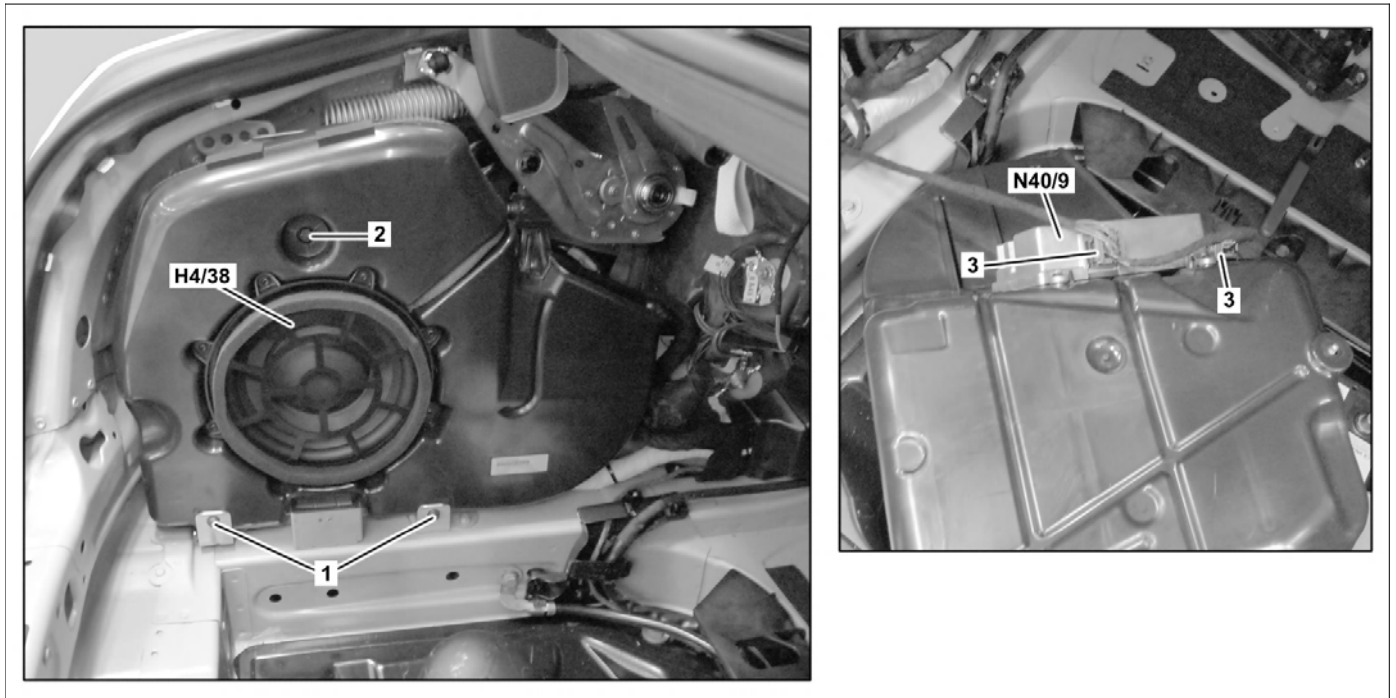


MODEL 222
with CODE 811 (Advanced sound system)



P82.62-4024-09

- 1 Bolts
- 2 Latch
- 3 Electrical connector

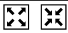
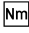
- H4/38 Rear bass speaker
- N40/9 Bass speaker amplifier


N40/9 Bass speaker amplifier



P82.62-4025-11

<p>⚠ Danger!</p>	<p>Risk of injury caused by fingers being jammed or pinched when removing, installing or aligning hoods, doors, trunk lid/rear-end door or sliding roof.</p>	<p>No parts of the body or limbs should be within the operating area when the components are moving.</p>	<p>AS00.00-Z-0011-01A</p>
<p>ⓘ</p>	<p>Information on preventing damage to electronic components due to electrostatic discharge</p>		<p>AH54.00-P-0001-01A</p>
<p>i</p>	<p>Notes on sensor system for trunk lid opening/closing</p>		<p>AH80.61-P-0001-01A</p>

	Remove/install		
1	Switch off ignition and remove transmitter key from electronic ignition lock control unit		
2	Remove panels at left in trunk	MODEL 222.0/1 with CODE 811 (Advanced sound system)	AR68.30-P-4600LF
3	Open latch (2)		
4	Remove screws/bolts (1) and remove bass box together with rear bass speaker (H4/38) until electrical connectors (3) are accessible	 Bolt, woofer to bracket	*BA82.62-P-1002-04B
5	Disconnect electrical connectors (3) and remove bass box together with rear bass speaker (H4/38) from vehicle		
6	Transfer bass speaker amplifier (N40/9)	Only when replacing rear bass speaker (H4/38).	
7	Install in the reverse order		
8	Perform function test		

 Speaker

Number	Designation			MODEL 222
BA82.62-P-1002-04B	Bolt, woofer to bracket	M6x12	Nm	6