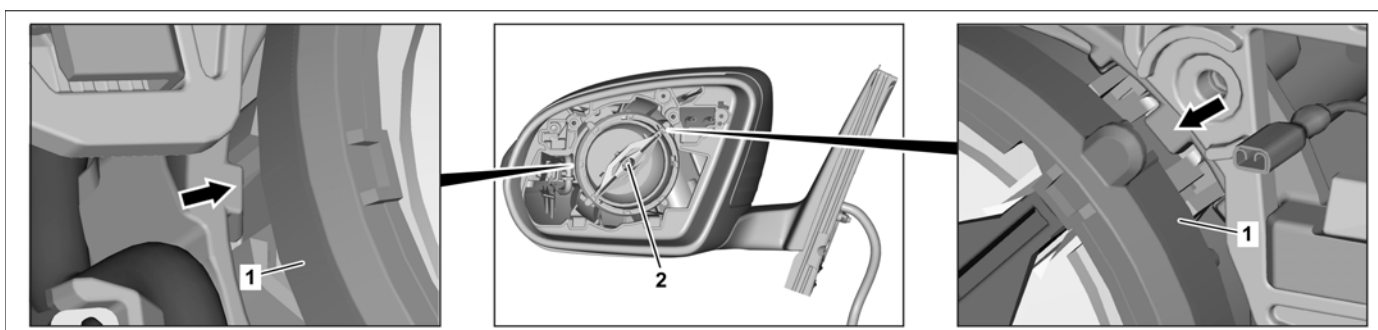


Model 205, 213, 217, 222, 238, 253



P88.70-2688-07

Shown on left outside mirror, model 222

1 Glass adjustment drive

2 Screw

☒ ☒	Remove/install		
1	Remove covering on outside rear-view mirror		AR88.70-P-9040LF
2	Disconnect electrical connection from glass adjustment drive (1)		
3	Unscrew bolt (2)		
4	Unlatch catch hooks (arrows) and remove glass adjustment drive (1)		
5	Install in the reverse order		