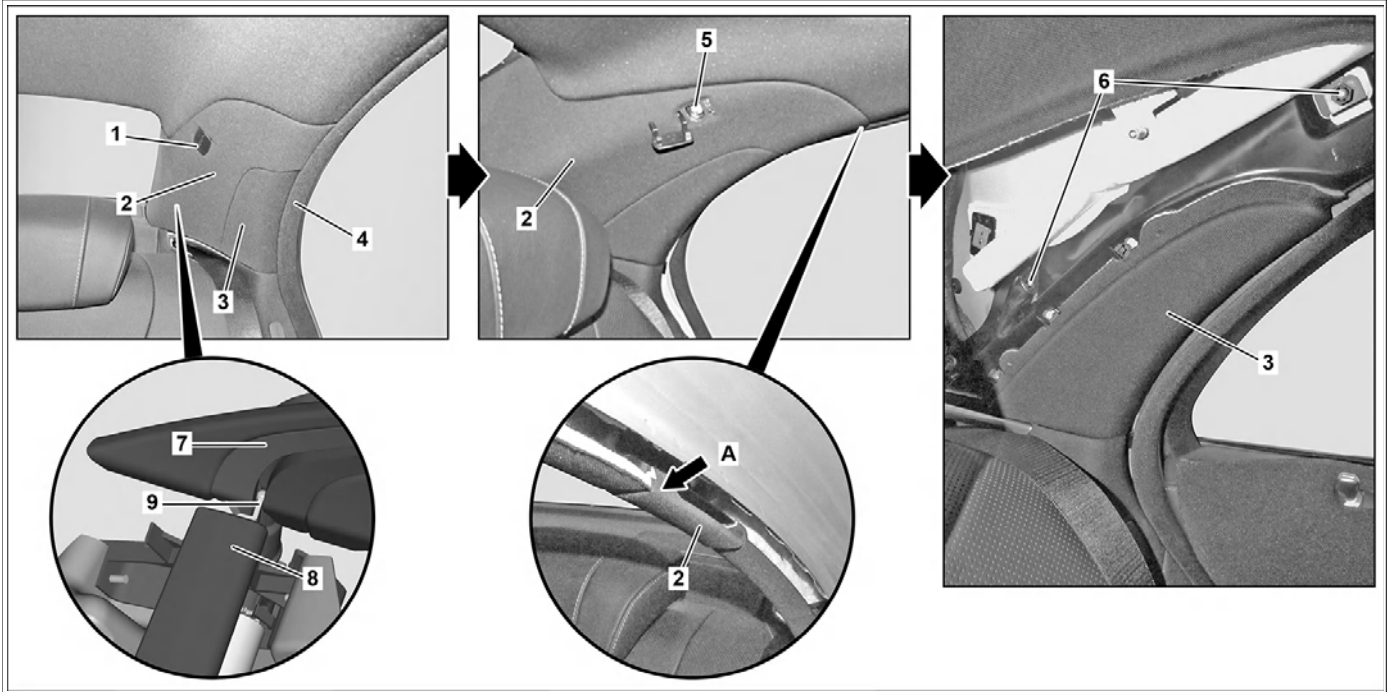


Model 222.0/1

Modification notes

24.08.2017	Remove speaker cover and seat belt guide/trim.	Operation steps 7, 8 and 9.
------------	--	-----------------------------



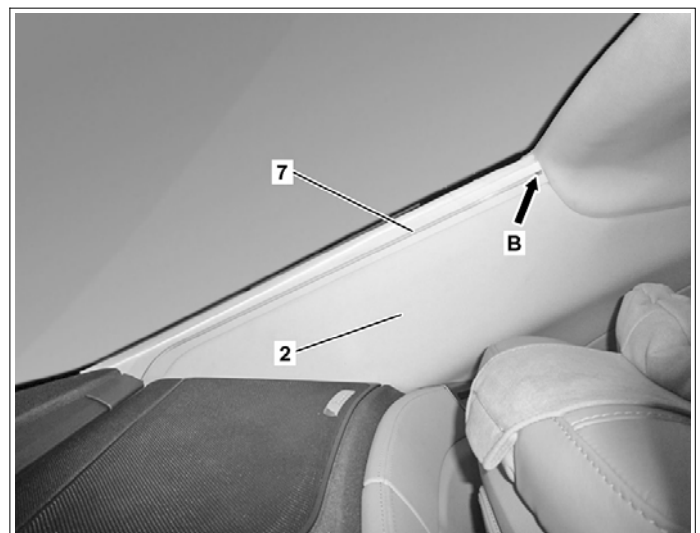
P68.30-3684-09

Shown on model 222.1 with code Z07 (Top protection)

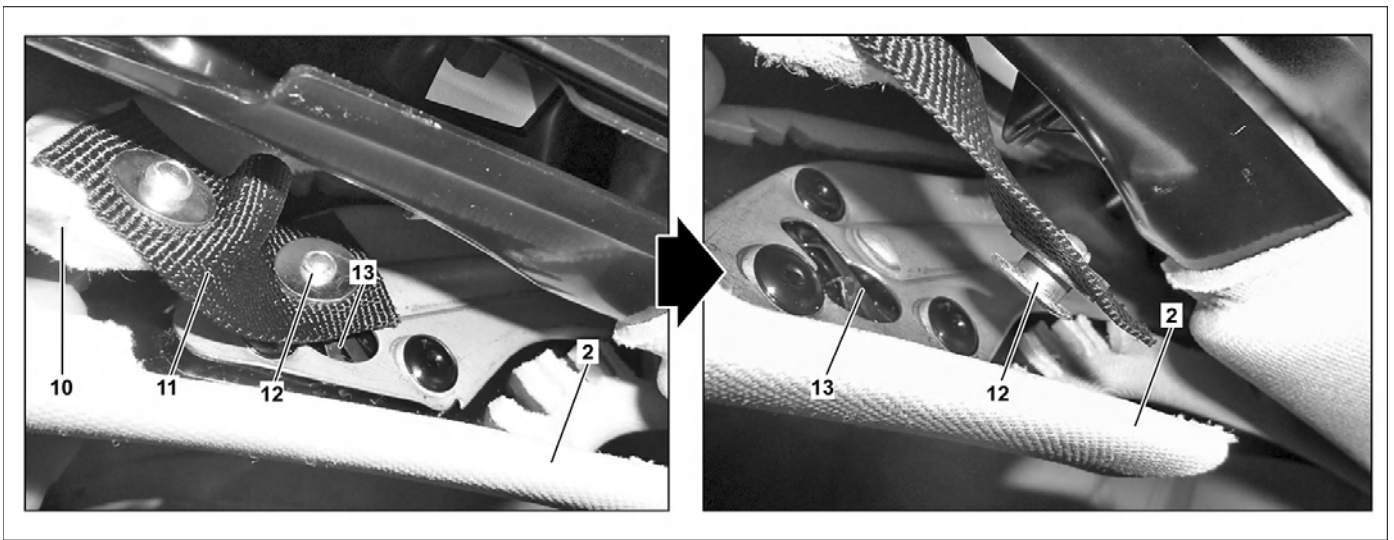
- | | |
|------------------------------------|--------------------|
| 1 Cover | 6 Buckle clamp |
| 2 C-pillar paneling top section | 7 Guide rail |
| 3 C-pillar paneling bottom section | 8 Roller sun blind |
| 4 Edge guard | 9 Pin |
| 5 Nut | |

Shown on model 222.1 without code Z07 (Highest protection)

- | |
|---------------------------------|
| 2 C-pillar paneling top section |
| 7 Guide rail |



P68.30-3722-11



P68.30-3721-08

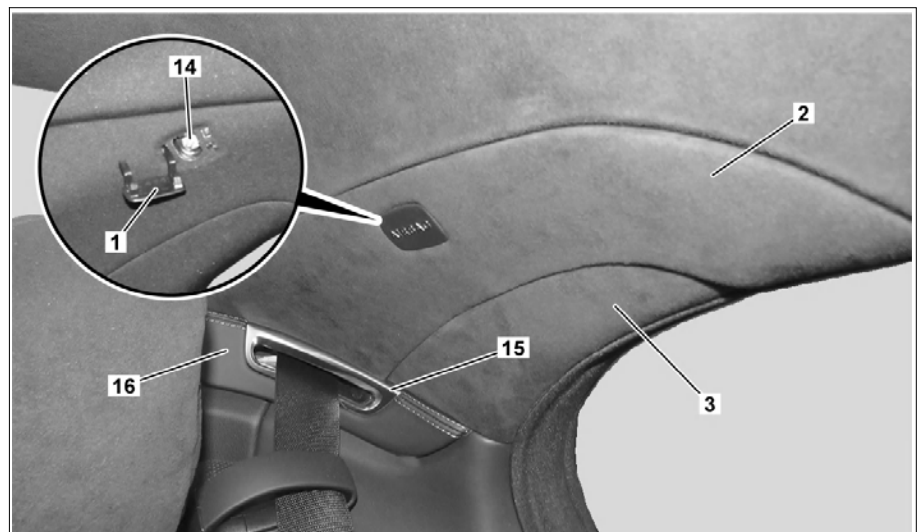
Shown on model 222.1 with code Z07 (Top protection)

- 2 C-pillar paneling top section
- 10 Headliner
- 11 Check strap

- 12 Rivet
- 13 Spring clip

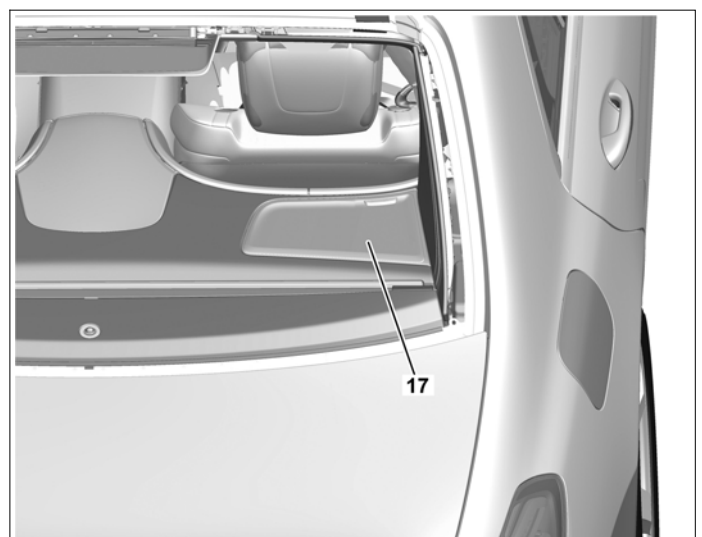
Shown on model 222.1 with code Z07 (Top protection)

- 1 Cover
- 2 C-pillar paneling top section
- 3 C-pillar paneling bottom section
- 14 Screw
- 15 Seat belt guide trim element
- 16 Seat belt retractor cover



P68.30-4017-05

- 17 Speaker cover

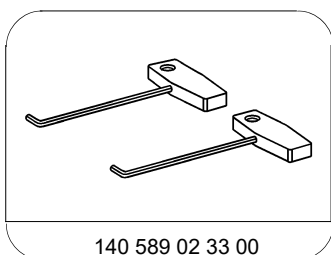


P82.62-4700-11

	Note on functional reliability of windowbag		AH91.60-P-0693-01A
	Remove/install		
1	Remove edge guard (4) in area of C-pillar trim (2, 3)		
2	Unclip cover (1)		
3.1	Unscrew nut (5)	Model 222.0/1 except code Z07 (Top protection) Nut/screw, trim bracket to C-pillar	*BA68.30-P-1002-01E
3.2	Remove screw (14) under cover (1)	Model 222.0/1 with code Z07 (Top protection) Nut/screw, trim bracket to C-pillar	*BA68.30-P-1002-01E
4	Unclip guide rail (7) from C-pillar paneling top section (2)	Model 222.0/1 with code 540 (Electric sunblind for rear window) except code Z07 (Top protection) Install extraction hook in opening (arrow B), turn 90° and unclip guide rail (7) from top downward. Guide rail (7) is hooked into C-pillar paneling top section (2) at bottom. Installation: Ensure that pin (9) on roller blind (8) is seated correctly in guide rail (7). Ensure that guide rail (7) is seated correctly. Extraction hook	*140589023300
5	Lever retainer (arrow A) of C-pillar trim upper section (2) over roof lining (10)		
6	Remove check strap (11) of roof lining (10) from C-pillar trim upper section (2)	Model 222.0/1 with code Z07 (Top protection) Slightly press in spring clip (13), guide rivet (12) together with check strap (11) out of opening. Installation: Ensure that check strap (11) and rivet (12) are seated correctly.	
7	Unclip speaker cover (17) in upward direction		
8	Unclip seat belt guide trim element (15) and allow to hang down		
9	Unclip seat belt retractor cover (16)		
10	Unclip C-pillar paneling top section (2) along rear window		
11	Remove C-pillar paneling top section (2) in direction of travel		
12	Unscrew buckle clamps (6)	Model 222.0/1 except code Z07 (Top protection) Installation: Replace buckle clamps (6).	
13	Remove C-pillar trim lower section (3)	Carefully swivel C-pillar trim lower section (3) toward front. Side trim in rear is connected via a pin with C-pillar trim lower section (3). Installation: Before assembly, install new strap buckles (6) on C-pillar trim lower section (3).	
14	Install in the reverse order		

Paneling, trim piece

Number	Designation		Model 222
BA68.30-P-1002-01E	Nut/screw, trim bracket to C-pillar	Nm	5



140 589 02 33 00

Extraction hook