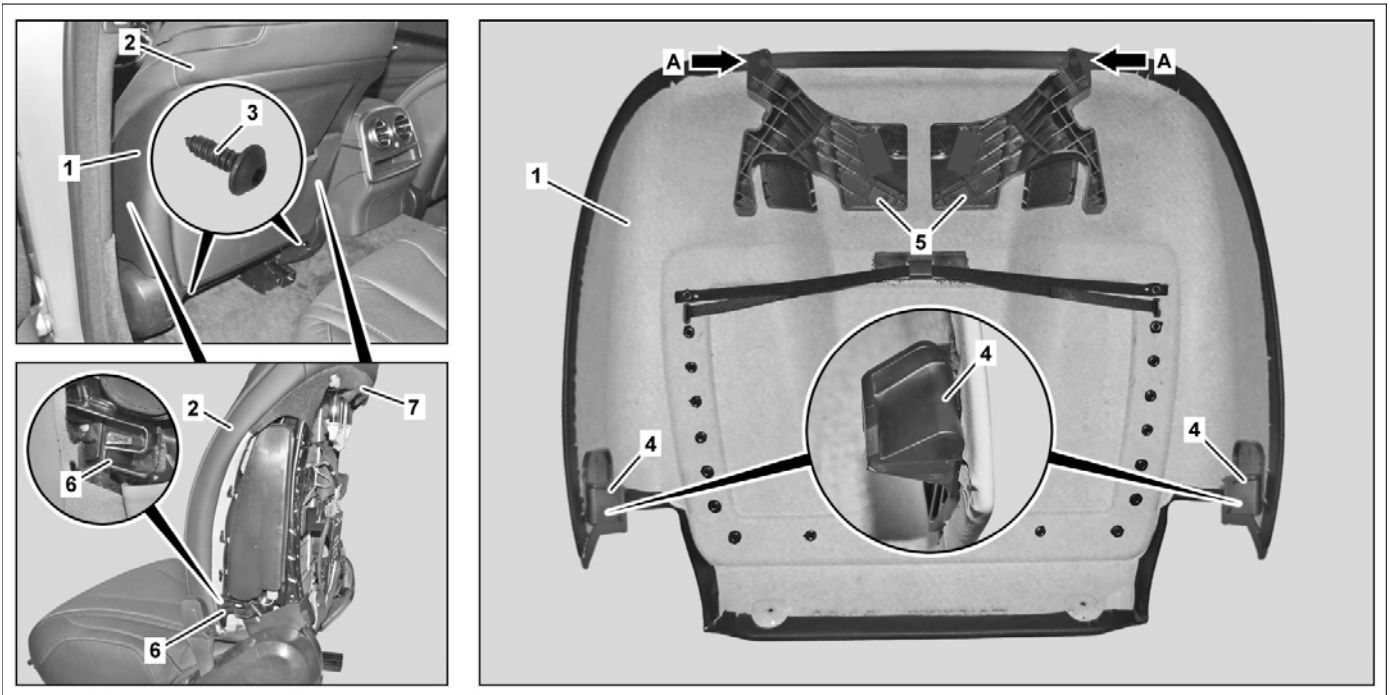


Model 217  
 Model 222



P91.10-3732-09

Shown on model 222

- 1 Seat-back lining
- 2 Seat backrest
- 3 Screw
- 4 Bracket
- 6 Guide
- 7 Backrest frame

☒	Remove		
1	Release front seat and tilt with connected electrical lines.	⚠	AR91.10-P-1000LF
2	Remove screws (3) under seat backrest frame (7).		
3	Unhook left and right holder (4) from respective guide (6).	i	
4	Pull seat-back lining (1) downward and remove.		
☒	Install		
5	Position seat-back lining (1) and secure to seat backrest (2).	⚠	
6	Tighten screws (3) below at seat backrest frame (7).	i	

