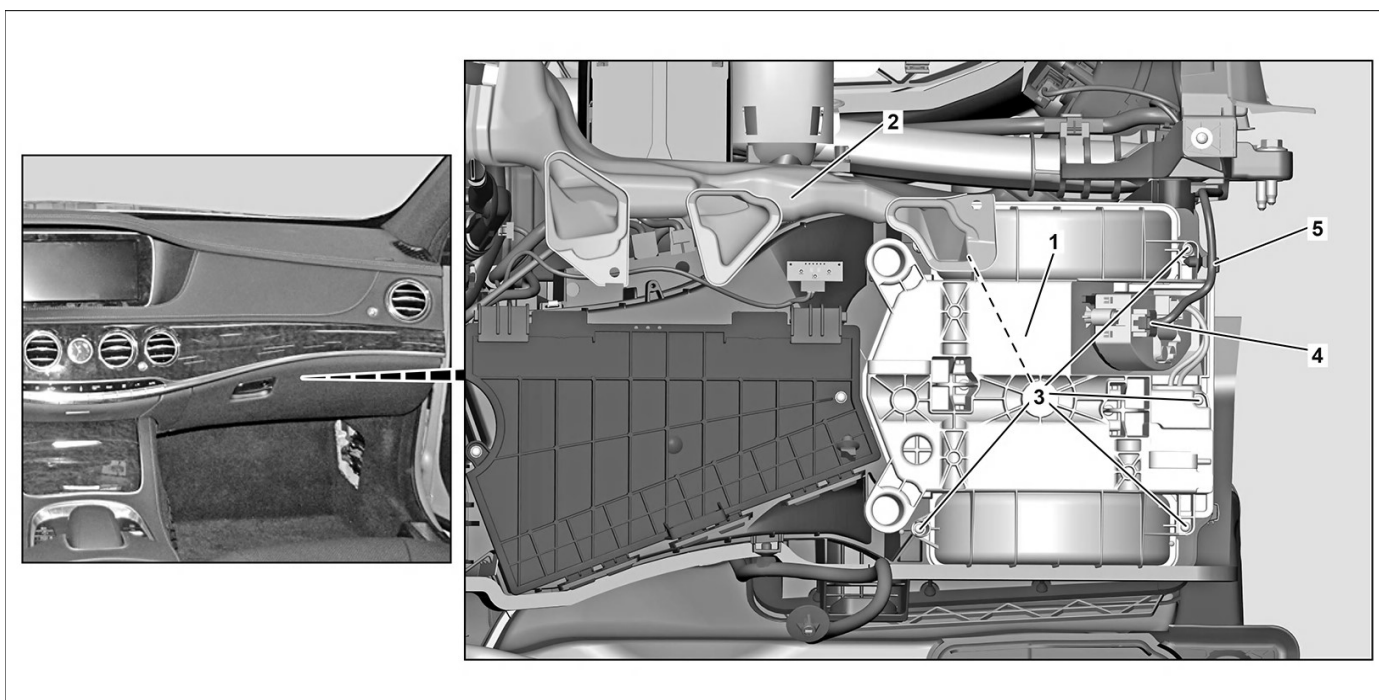


MODEL 222

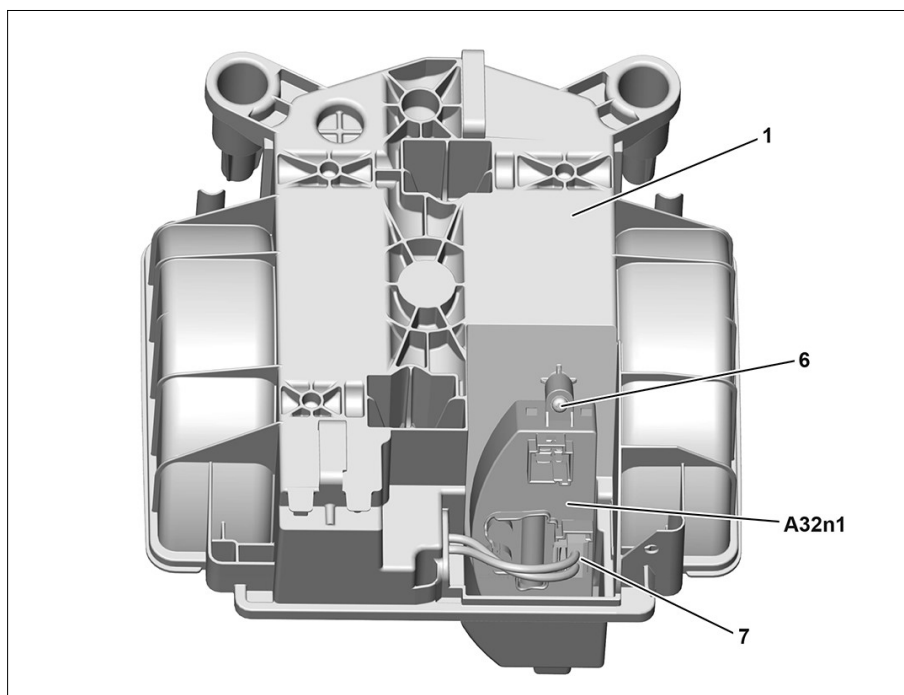


P83.10-2910-09

- 1 Housing lower part with blower motor
- 2 Air duct
- 3 Bolts

- 4 Electrical connector
- 5 Retaining clip

- 6 Screw
- 7 Electrical connector
- A32n1 Blower regulator



P83.10-2911-06

☒ ☒	Remove/install	
1	Switch off ignition and remove transmitter key	
2	Remove glove compartment	AR68.10-P-1400LF

3	Remove air duct (2) of footwell ventilation		
4	Disconnect electrical connector (4) from housing lower part with blower motor (1)		
5	Remove retaining clip (5) and place wiring harness to one side		
6	Remove bolt (3)		
7	Remove housing lower part with blower motor (1) downwards		
8	Remove screw (6)	i When replacing the housing lower part with blower motor (1)	
9	Remove blower regulator (A32n1) from housing lower part with blower motor (1) and disconnect electrical connector (7)	i When replacing the housing lower part with blower motor (1)	
10	Install in the reverse order		