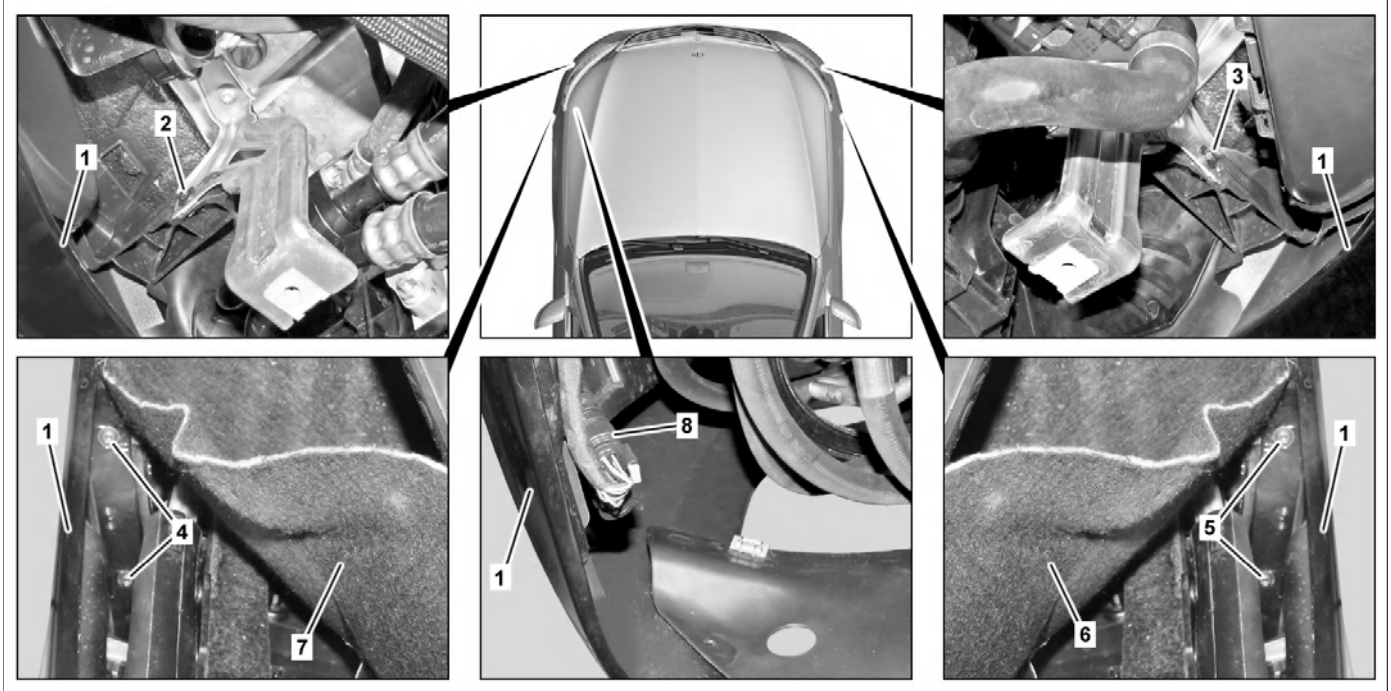


Model 222

## Modification notes

18.07.2017	Method description modified for vehicles as of model year 2018.	Operation steps 1 to 17.
------------	---	--------------------------



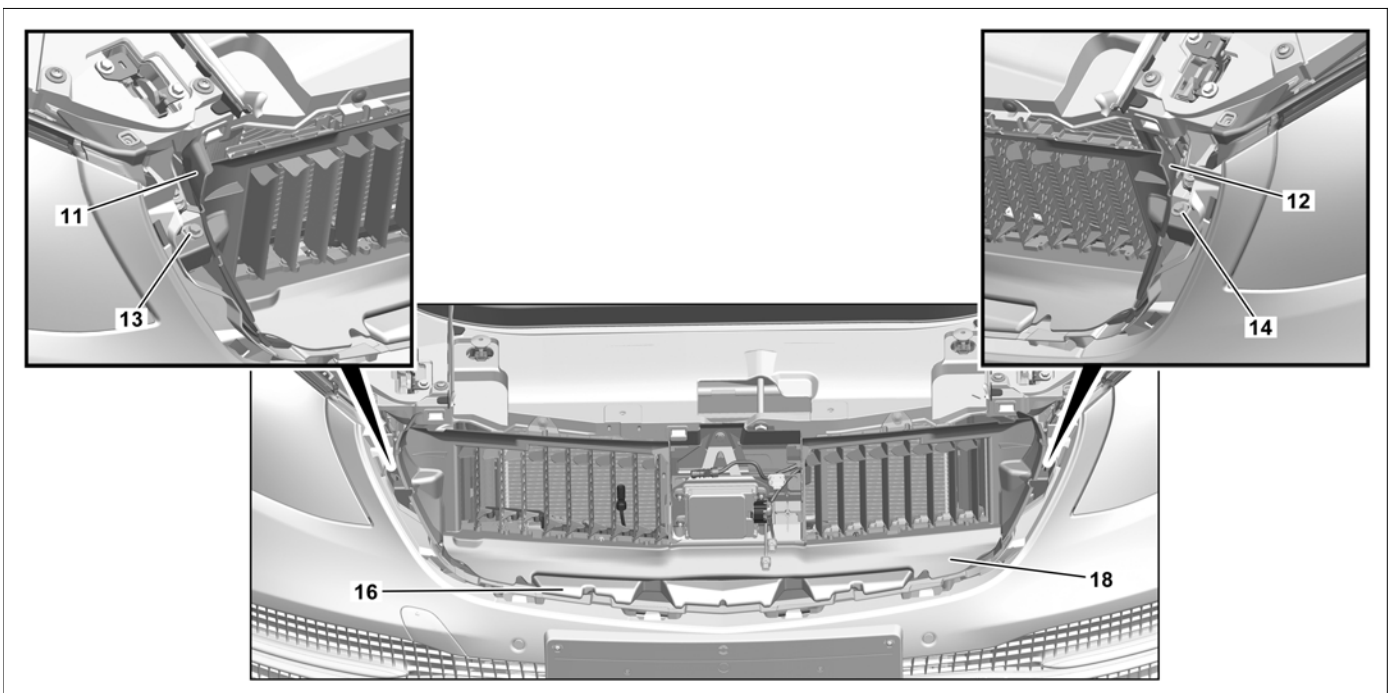
P88.20-3918-09

Shown on model 222 up to model year 2018

1 Front bumper  
2 Screw  
3 Screw

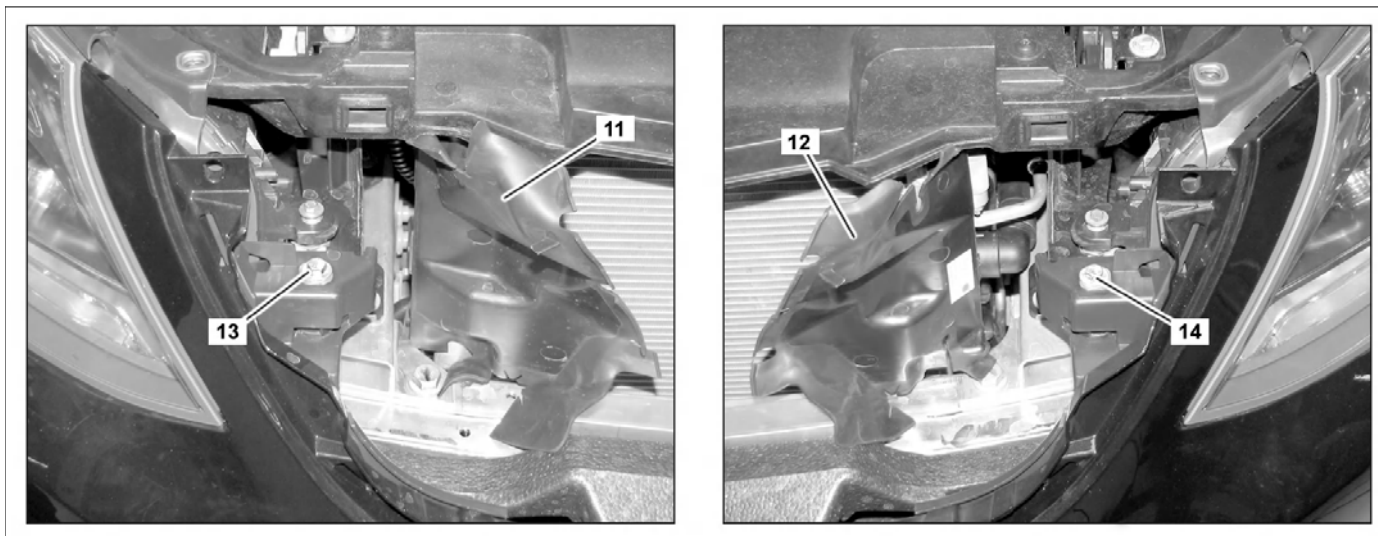
4 Bolts  
5 Bolts  
6 Right front to liner

7 Left front to liner  
8 Electrical connector



**Shown on model 222 from model year 2018 with code 2U1 (Radiator shutters)**

- |    |                  |    |                 |
|----|------------------|----|-----------------|
| 11 | Air duct segment | 14 | Screw           |
| 12 | Air duct segment | 16 | Impact absorber |
| 13 | Screw            | 18 | Lip             |



P88.20-3919-08

**Shown on model 222 up to model year 2018 except code 2U1 (Radiator shutters)**

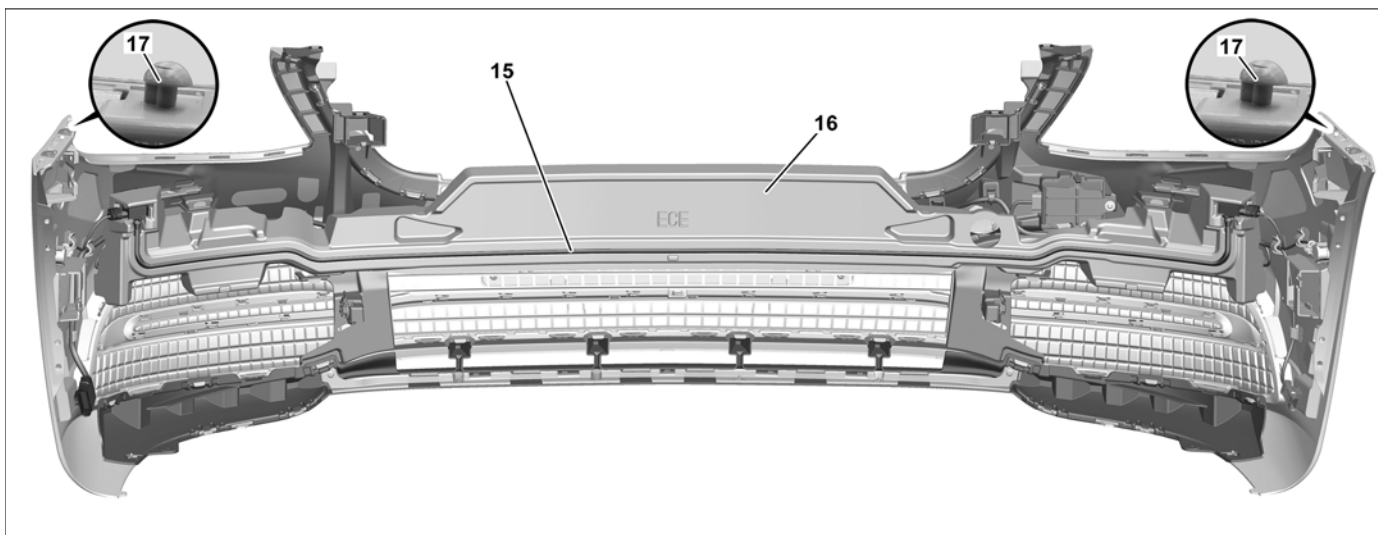
- |    |                  |    |       |
|----|------------------|----|-------|
| 11 | Air duct segment | 13 | Screw |
| 12 | Air duct segment | 14 | Screw |



P88.20-4013-07

**Shown on model 222 up to model year 2018 with code U60 (Active hood (pedestrian protection))**

- |   |              |    |                              |
|---|--------------|----|------------------------------|
| 1 | Front bumper | 15 | Pedestrian protection sensor |
|---|--------------|----|------------------------------|



P88.20-4813-08

Shown on model 222.0 as of model year 2018 with code U60 (Active hood (pedestrian protection))

15 Pedestrian protection sensor  
16 Impact absorber

17 Guide pin

Warning	<b>Risk of injury</b> during testing and repair operations related to pyrotechnical components	Do not expose pyrotechnical component parts to temperatures above 100 °C or 212 °F. Disconnect current supply when working on such component parts.	<a href="#">AS91.00-Z-0008-01A</a>
	Notes on pedestrian protection sensor	Model 222 with code U60 (Active Bonnet (Pedestrian protection))	<a href="#">AH91.60-P-0001-01A</a>
	General information on the impact absorber		<a href="#">AH88.20-P-1000-01A</a>
	Information on preventing damage to electronic components due to electrostatic discharge		<a href="#">AH54.00-P-0001-01A</a>
	Information, assessment and legal requirements when working with, handling and storing pyrotechnical components		<a href="#">AH91.00-Z-0000-10A</a>
	<b>Remove/install</b>		
1	Disconnect battery ground line	Model 222 with code U60 (Active Bonnet (Pedestrian protection))	<a href="#">AR54.10-P-0003LF</a>
2	Remove front engine compartment paneling		<a href="#">AR61.20-P-1105LF</a>
3	Unscrew screws (2, 3)		
4	Release left front fender liner (7) and right front fender liner (6) until screws (4, 5) are accessible.		<a href="#">AR88.10-P-1300LF</a>
5	Unscrew bolts (4, 5)		
	<b>Check</b>		
6	Check freely visible points on pedestrian protection sensor (15) for damage of any kind (cracks, holes, breakovers, etc.) when installed	Model 222 with code U60 (Active Bonnet (Pedestrian protection))  Model 222 as of model year 2018 with code U60 (Active Bonnet (Pedestrian protection)) Pedestrian protection sensor (15) is fully installed in impact absorber (16). For this reason, only the electrical connectors are visible in the installed status. If damage is visible. ↓ Replace pedestrian protection sensor (15).	<a href="#">AR91.60-P-0950EWM</a>
7	Disconnect electrical connection (8)		
8	Remove radiator grille		<a href="#">AR88.40-P-4001LF</a>

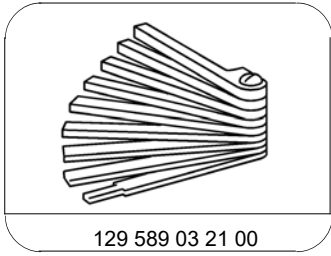
9	Push air duct segment (11) to side and remove screw (13)		
10	Push air duct segment (12) to side and remove screw (14)		
11	Detach front bumper (1) on left and right and slightly pull forwards	Detach guide pins (17) from front fenders.	
12	Remove front bumper (1)	Model 222 with code 2U1 (Radiator shutter) <b>Installation:</b> Pull sealing lip (18) over impact absorber (16). Helper required. <b>Installation:</b> Check gap dimensions on front bumper (1). In the event of complaints ↓ Adjust front bumper (1).  Engine hood to bumper Bumper to headlamp Feeler gauge	AR60.00-P-0700-01LF *BE60.00-P-1007-01BA *BE60.00-P-1008-01BA *129589032100
	<b>Check</b>		
13.1	Check impact absorber (16) and pedestrian protection sensor (15) for damage	Model 222 with code U60 (Active Bonnet (Pedestrian protection)) If damage is visible. ↓ Replace impact absorber (16) and pedestrian protection sensor (15).	AR91.60-P-0950EWM
13.2	Check impact absorber (16) for damage	Model 222 except code U60 (Active Bonnet (Pedestrian protection)) If damage is visible. ↓ Replace impact absorber (16).	
14	Disassemble front bumper (1)	Only when replacing front bumper (1) or individual parts. Model 222 as of model year 2018 Model 222 up to model year 2018	AR88.20-P-2050LFM AR88.20-P-2050LF
15	Install in the reverse order		
16	Calibrate front 360° camera	Model 222 with code 501 (360° camera)	AD00.00-P-2000-04B
	<b>Check</b>		
17	Switch on Active Parking Assist and check for operational readiness	Model 222 with code 235 (Active Parking Assist with PARKTRONIC) Active Parking Assist automatically performs a self-test and operational readiness is signaled via the warning displays.	

Check values for gap dimensions

Number	Designation	Model 222
BE60.00-P-1007-01BA	Engine hood to bumper	Dimension "D" mm 3,5 (± 1)
		For picture, see AR60.00-P-0700-01LF

Check values for gap dimensions

Number	Designation	Model 222
BE60.00-P-1008-01BA	Bumper to headlamp	Dimension "E" mm 2,5 (-1,5/+1)
		For picture, see AR60.00-P-0700-01LF



129 589 03 21 00

Feeler gauge