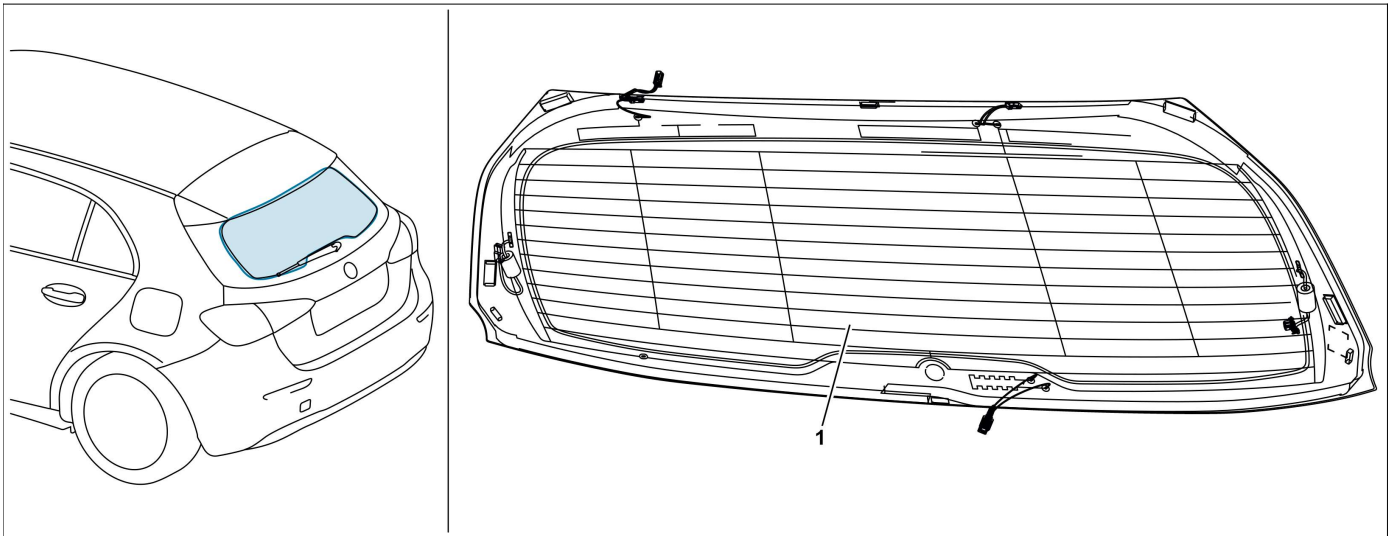


Model all (4xWD)

Model all (CAR)



P67.29-2151-78

1 Rear window heater

Location

The rear window heater is installed on the inside of the rear window.

Task

The rear window heater consists of multiple conductor tracks on the rear window. When a voltage is applied, these conductor tracks heat up due to the electrical resistance. This heat is used to defrost, for example, ice or snow on the rear window or counteract a fogging up of the rear window.

Depending on the vehicle, the rear window heater is actuated by the signal acquisition and actuation module or by the rear signal acquisition and actuation module.

| Component description | | | |
|---|-----------|-----------------|--|
| Rear window heater, component description | Model 223 | GF67.29-P-5001A | |
| | Model 243 | GF67.29-P-5001B | |
| | Model 206 | GF67.29-P-5001C | |
| | Model 297 | GF67.29-P-5001D | |
| | Model 295 | GF67.29-P-5001E | |