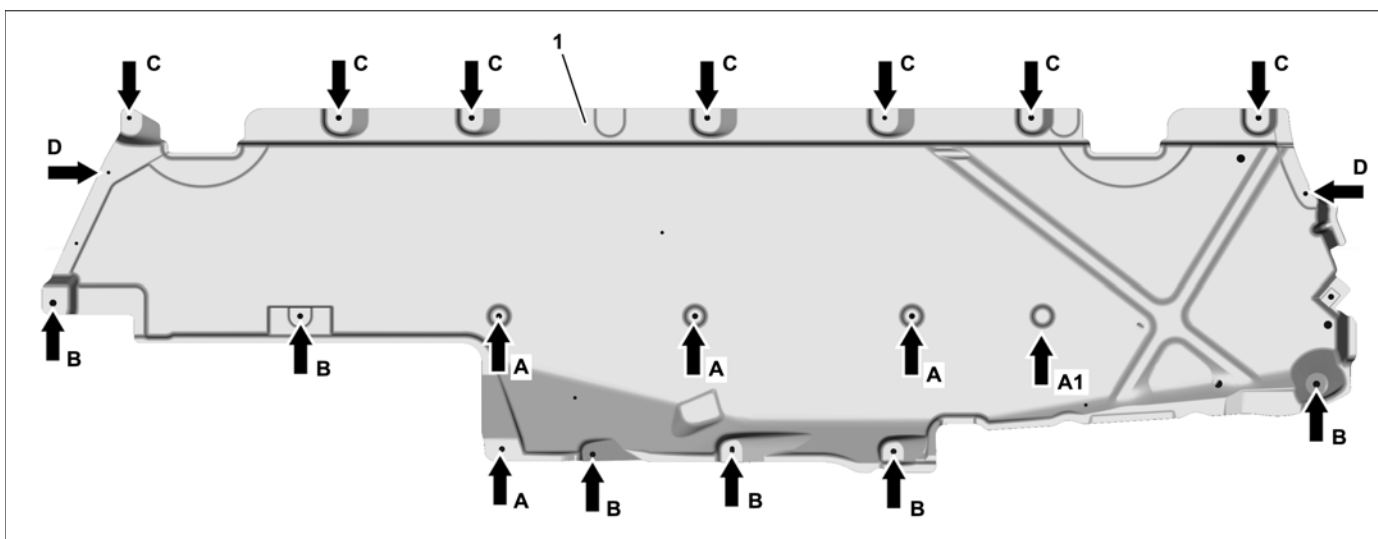


Model 217, 222



P61.30-2040-08

Shown on model 222.0

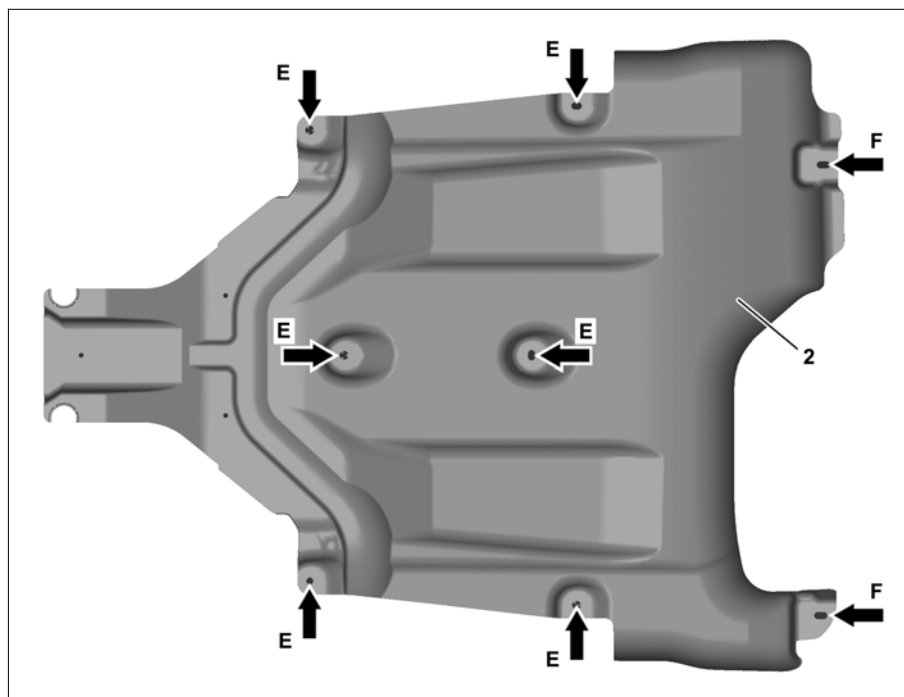
- 1 Side underfloor paneling
- A Expansion clips

- A1 Expansion clips
- B Bolts

- C Nuts

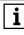
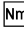

Shown on MODEL 222.0 with CODE 413 (Panoramic sliding roof)

- 2 Rear section of undercarriage paneling
- E Nuts (position and number of nuts can vary)
- F Nuts (position and number of nuts can vary)



P61.30-2041-06

| | | | |
|---|--|---|--------------------|
| | Risk of death caused by vehicle slipping or toppling off of the lifting platform. | Align vehicle between vehicle lift columns and position the four support plates at the vehicle lift support points specified by the vehicle manufacturer. | AS00.00-Z-0010-01A |
| | Remove/install | | |
| 1 | Raise vehicle with vehicle lift | | |
| | Remove side underfloor paneling (1) | | |
| 2 | Unscrew nuts (C) | | |
| 3 | Unscrew bolts (B and D) | | |

| | | | |
|---|--|---|---------------------|
| 4 | Detach engine compartment paneling until side underfloor paneling (1) can be removed | | |
| 5 | Remove expansion rivets (A and A1) and remove side underfloor paneling (1) |  Model 222.1 The expansion rivet (arrow A1) is only installed on MODEL 222.1##. | |
| | Remove rear underfloor paneling (2) | | |
| 6 | Unscrew bolts on cross strut and detach cross strut | Model 222 with code 413 (Automatic panoramic sliding sunroof) Model 222 with code 419 (Solar module for interior ventilation)  Screw/bolt, rear diagonal strut to bracket/spare wheel well | *BA61.10-P-1009-01K |
| 7 | Unscrew nuts (E and F) and remove rear underfloor paneling (2) |  The number of nuts (E and F) can vary. | |
| 8 | Install in the reverse order | | |

 **Frame floor assembly**

| Number | Designation | | Model 222.0/1/9 |
|--------------------|---|----|-----------------|
| BA61.10-P-1009-01K | Screw/bolt, rear diagonal strut to bracket/spare wheel well | Nm | 50 |