
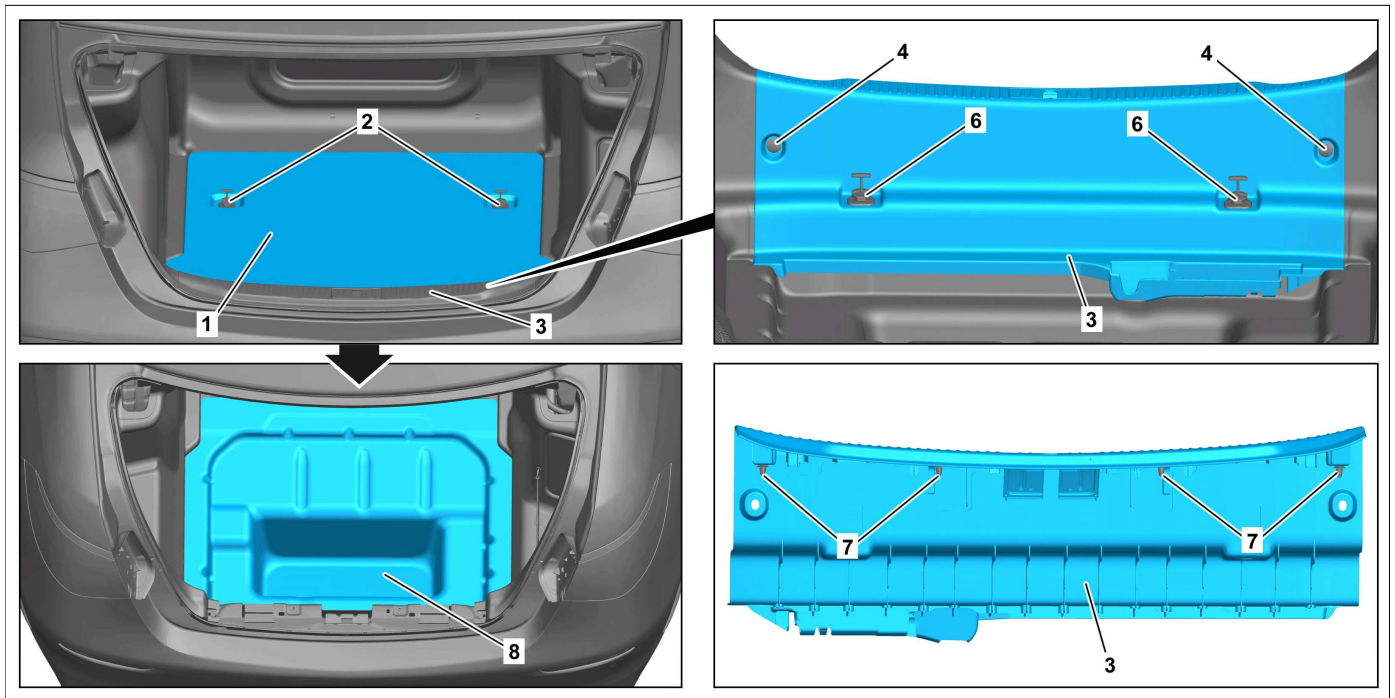
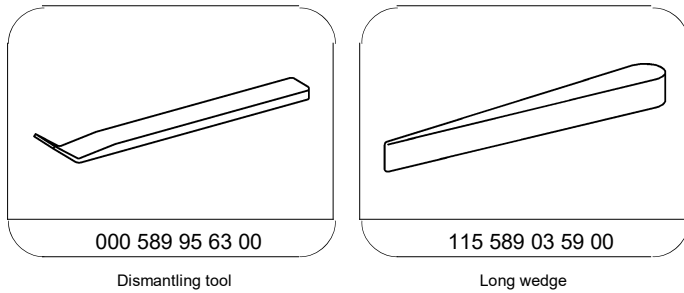




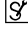
AR54.10-P-0051-02S	Remove/install trim on battery of 12 V on-board electrical system in trunk		
 <b>Warning</b>	<b>Risk of injury</b> caused by fingers being jammed or pinched when removing, installing or aligning hoods, doors, trunk lid/rear-end door or sliding roof. Notes on HANDS-FREE ACCESS	No parts of the body or limbs should be within the operating area when the components are moving.	AS00.00-Z-0011-01A  AH80.61-P-0001-01A

- Model 223 with engine 256**  
except code ME10 (Hybrid vehicle (plug-in, PHEV))
- Model 223 with engine 279**  
except code Z07 (B7 armoring on special protection version)
- Model 223 with engine 656**



P54.10-A122-79

- 1 Open trunk lid.
- 2 Model 223 with engine 256  
with code 308 (Refrigerated compartment in rear passenger compartment)  
except code ME10 (Hybrid vehicle (plug-in, PHEV))  
Model 223 with engine 279  
except code Z07 (B7 armoring on special protection version)  
Model 223 with engine 656  
with code 308 (Refrigerated compartment in rear passenger compartment)  
Remove refrigeration compartment in trunk.
- 3 Remove rear-end center-section cover (3) from retaining clips (7) using long wedge.
- 4 Remove retaining clips (4) from rear-end center section cover (3) using removal tool .
- 5 Remove trunk floor trim (8).

- 3 Remove expansion rivet (2) of trunk floor cover (1) using  disassembly tool.
- 4 Remove trunk floor cover (1) from trunk.
- 5 Remove expansion rivet (6) of rear-end center-section cover (3)  using disassembly tool.