

2022 S-Class Sedan Order Guide



Table of Contents

1	General Information
2	What's New
3	Models
4	Equipment
4.1	Standard Equipment
4.2	Exterior Paint Colors
4.3	Wheels
4.4	Interior Upholstery
4.6	Interior Trims
4.7	Lines & Packages
4.8	Options
4.9	Specifications
5	Options In Detail
6	Gallery



General Information

Important Note

The information presented in this guide is based on the most current information available and is intended for internal use only. Mercedes-Benz reserves the right to make changes at any time, without notice, to colors, materials, equipment, special specifications and models.

Pricing may not yet be finalized for some models or options.

Due to variances among monitors and printers the colors that appear on your screen and printouts may not be exact.

For illustrative purposes, some images may show vehicles with European Specification.

Revision History

Date	Description
02/04/2022	Update : <ul style="list-style-type: none">• 902/903 Seat Heating PLUS is no longer constrained on MY22 S-class vehicles starting with February 2nd decade production.• 432/436 Active Multi-contour Seats and Front Comfort Headrests are no longer constrained on MY22 S-class vehicles starting with February 2nd decade production.• P21 Air Balance is no longer constrained on MY22 S-class vehicles starting with April production..
01/14/2022	Update: As you are aware, MBUSA is experiencing challenges with the availability of semiconductor components due to the worldwide shortage. This has caused the addition and/or removal of certain options on vehicles. A summary of the changes is below: HANDS-FREE ACCESS (871) has been removed starting with orders currently in Book to Specified status. Affected units will get DB9-Credit Code. Constraint is expected until Q2 of 2022.
11/11/2021	Update: As you are aware, MBUSA is experiencing challenges with the availability of semiconductor components due to the worldwide shortage. This has caused the addition and/or removal of certain options on vehicles. A summary of the changes is below: Codes 902-Seat Heating Plus (Standard) and Code 903- Rear Seat Heating Plus (DB0-Warmth and Comfort Package) remain with limited availability until Q1 of 2022. Regular Seat Heating is still available for the vehicle. DB0- Warmth and Comfort Package and DF6- Warmth and Comfort Launch Package will be replaced with Package code DU3. The following credit codes will be associated with vehicles without 902- Seat Heating Plus: 1) Credit Code for 902 – D8R credit code 2) Credit Code for 432 – D8A credit code 3) Credit Code for 436 – D8Z credit code
10/29/2021	Update: Starting with January 2022 Production, RVR-20" Wheel available with DC1-Night Package, will be replaced by All Black RVP-20" Wheel.
10/25/2021	Update: As you are aware, MBUSA is experiencing challenges with the availability of semiconductor components due to the worldwide shortage. This has caused the addition and/or removal of certain options on vehicles. A summary of the changes is below: AIR BALANCE (P21) limited availability for the remainder of MY22.
09/21/2021	Update: 451- 3D Instrument Cluster now available to be ordered as a single option
06/24/2021	Update: 811- Burmester® High-End 4D Surround Sound System not available to order with 2XX Leather on S500 4MATIC
06/22/2021	Update: As you are aware, MBUSA is experiencing challenges with the availability of semiconductor components due to the worldwide shortage. This has caused the addition and/or removal of certain options on vehicles. A summary of the changes is below: DB7- MBUX High-End Rear Entertainment System will not be available to order with DX2-Executive Line
06/17/2021	Update: As you are aware, MBUSA is experiencing challenges with the availability of semiconductor components due to the worldwide shortage. This has caused the addition and/or removal of certain options on vehicles. A summary of the changes is below: Active Ambient Lighting (878) has been removed from standard. Option is restricted from ordering.
05/21/2021	UPDATE: 201- Black Leather/ 204- Sienna Brown & Black Leather/ 205- Macchiato Beige & Magma Grey Leather not available with H38-Silver Aluminum Fanned Walnut Wood
02/23/2021	Publish DOG



What's New

S500V4



Paints

- MANUFAKTUR Selenite Grey Magno
- MANUFAKTUR Cashmere White Magno
- MANUFAKTUR Kalahari Gold
- Nautical Blue

Options

- E-Active Body Control

Trims

- Centre Console Black Dotted Lines
- Center Console Metallic Mixed look Black / Silver

Wheels

- 20" AMG Multispoke Wheels painted with High-Gloss Black

S580V4



Paints

- MANUFAKTUR Selenite Grey Magno
- MANUFAKTUR Cashmere White Magno
- MANUFAKTUR Kalahari Gold
- Nautical Blue

Options

- E-Active Body Control

Wheels

- 20" AMG Multispoke Wheels painted with High-Gloss Black

Standard Equipment

- MBUX Interior Assistant Front

Paints

- 595- Nautical Blue
- 049- designo® Manufaktur Cashmere White Magno
- 802- Kalahari Gold
- 297- designo® Manufaktur Selenite Grey Magno

Trims

- 722- Center Console Metallic Mixed look Black / Silver
- 797- Center Console Black Dotted Lines

Options

- 490- E-Active Body Control

S-Class Lines

The all-new S-Class is generously equipped with customer favorites - the Driver Assistance Package, Surround View Camera, and Massaging and Ventilated Seats among others, PLUS new technologies including the 12.8" OLED Touchscreen, Seamless Door Handles, Wireless Apple Carplay/Android Auto, and more. With the new, enriched level of standard equipment, specifying and ordering an S-Class is easier than ever. Choose from one of three Lines and then select standalone options for each. Paint and upholstery are openly available across all three Lines, to be tailored to your customers' tastes.



Luxury Line



Standard Equipment

- P21-Air Balance Package
- Driver Assistance Package
- 297- Electric Sunblinds in Rear Doors
- 401- Ventilated Front Seats
- 432- Active Multicontour Seats
- 436-Front Comfort Headrests
- 501- 360 Surround View Camera
- 72B-USB Package Plus
- 77B- MBUX Interior Assistant Front
- 902- Front Heated Seats Plus
- 943-Toll Gate Transponder

Available Options

- DB0- Warmth & Comfort Package
- DF0- 3D Technology Package
- 443- Heated Steering Wheel
- 490- E-Active Body Control
- 811- Burmester High- End 4D Surround System
- Exclusive Nappa Leather 5xx (requires 735-Exclusive trim + P34-Exclusive Package)

See Trims and Wheels sections for available trims and wheels



AMG Line



Standard Equipment

- P21-Air Balance Package
- Driver Assistance Package
- 297- Electric Sunblinds in Rear Doors
- 401- Ventilated Front Seats
- 432- Active Multicontour Seats
- 436-Front Comfort Headrests
- 501- 360 Surround View Camera
- 72B-USB Package Plus
- 77B- MBUX Interior Assistant Front
- 902- Front Heated Seats Plus
- 943-Toll Gate Transponder

AMG Line Included Content

- AMG Body Styling
- Sport Package
- AMG Floor Mats

Available Options

- DB0- Warmth & Comfort Package
- DC1- Night Package
- DF0- 3D Technology Package
- 201- 4.5 Degree Rear Axle Steering
- 443- Heated Steering Wheel
- 490- E-Active Body Control
- 811- Burmester High- End 4D Surround System
- Exclusive Nappa Leather 5xx (requires 735-Exclusive trim + P34-Exclusive Package)

See Trims and Wheels sections for available trims and wheels



Executive Line* (Not Available on S 500)



Standard Equipment

- P21-Air Balance Package
- Driver Assistance Package
- 297- Electric Sunblinds in Rear Doors
- 401- Ventilated Front Seats
- 432- Active Multicontour Seats
- 436-Front Comfort Headrests
- 501- 360 Surround View Camera
- 72B-USB Package Plus
- 77B- MBUX Interior Assistant Front
- 902- Front Heated Seats Plus
- 943-Toll Gate Transponder

Executive Line Included Content

- P07-Chauffeur Package Rear
- 306-Rear Beltbag
- 439- Easy Adjust Headrest
- 447- MBUX Rear Tablet
- 452-Electric Adjust Rear Seats
- 561- Design Belt Buckles Rear
- 582-4-Zone Climate Control
- 898- Wireless Charging Rear
- P43- Rear Seat Comfort
- 302- Rear Airbag
- 322- Rear Neck Heating
- 406- Active Multicontour Rear Seat
- 453- Executive Rear Seat
- 223- Power Rear Seats
- 276- Rear Memory Seats
- 402- Ventilated Rear Seats
- 443- Heated Steering Wheel
- 903- Rear Seat Heating
- 906- Front Heated Armrest
- 907- Rear Heated Armrest
- PBS- Front ENERGIZING COMFORT Package
- 216- 10 Degree Rear Axle Steering

Available Options

- DF0- 3D Technology Package
- 490- E-Active Body Control
- 811- Burmester High- End 4D Surround System
- Exclusive Nappa Leather 5xx (requires 735-Exclusive trim + P34-Exclusive Package)

See Trims and Wheels sections for available trims and wheels



New Engine: S580 M176 V8 Engine

8-cylinder V-engine with 90° cylinder bank angle

Displacement: 3982 cc

Output: 496 hp

Torque: 516 lb-ft at 2000-4000 rpm

Stroke: 92 mm; Bore: 83 mm

Cylinder gap width: 90 mm



- 4-valves-per-cylinder design with two overhead camshafts per cylinder bank; camshaft adjustment on the intake and exhaust sides for spontaneous response, optimised load change behaviour and maximum durability
- Cylinder shut-off (CAMTRONIC) for fuel consumption reduction in partial-load range
- NANOSLIDE® (twin-wire-arc-sprayed) coating of cylinders for low friction and wear as well as maximum durability
- Torque plate honing for mechanical surface treatment of the cylinder sleeves in the "bolted state" to reduce consumption and friction
- Twin-turbocharging with two exhaust gas turbochargers between the two cylinder banks instead of exterior arrangement for compact engine design, optimum response and low exhaust gas emissions
- Mono-scroll exhaust gas turbocharger with boost pressure control via boost-pressure regulating valve for direct and spontaneous exhaust gas turbocharger response
- Spray-guided direct petrol injection of the 3rd generation with piezo injectors and demand-controlled multiple injection for high thermal efficiency and low emissions
- Separate low-temperature circuit for the charge air cooler to achieve optimum power output
- Efficient ancillary component drive via two short low-friction four-groove belt; water pump with chain drive
- Two-mass flywheel with centrifugal pendulum isolates the drivetrain from torsional vibration and supports excellent smoothness of operation
- Integrated starter alternator ISG2 (second generation)

Mercedes-Benz User Experience (Standard)



Extended MBUX Functions:

Say "Hey Mercedes", and your MBUX system awaits your commands. Personal profiles, predictive functions and a WiFi hotspot completely redefine the term digital networking

Many forms of interaction and personalization from every seat:

- The latest screen technologies and MBUX available for all occupants
- Standard 12.8" OLED Touchscreen Media display in portrait format as a visual highlight; features haptic feedback
- Up to seven different profiles are possible in the vehicle.
- Alongside entry of the Mercedes me PIN, new biometric and interconnected authentication functions ensure a high level of security. These are fingerprint (standard), face (optional with 3D Technology Package) and voice recognition (standard).
- New convenience functions include repositioning of the driver's seat and outside mirrors according to body size
- The voice assistant "Hey Mercedes" listens even more carefully, and understands the occupants even better: "Hey Mercedes" can also be controlled from the rear. Several microphones help to tell the system which seat the voice is coming from. Flashing ambient lighting identifies the current speaker
- "Hey Mercedes" explains functions. The activation keyword "Hey Mercedes" is no longer necessary for certain applications. An incoming call can be taken direct with "Accept call", for example
- The appearance of the screens can be individualized with a choice of four display styles (Understated, Sporty, Exclusive, Classic) and three modes (Navigation, Assistance, Service)
- The number of classic controls has been greatly reduced: 27 fewer hardkeys (mechanical switches) than in the preceding model
- However, key functions such as the lights or windscreen wipers can still be operated directly. The climate control panel is permanently at the lower edge of the display

12.8" Central OLED Touchscreen (Standard)



OLED Technology: OLED stands for Organic Light Emitting Diode.

In contrast to LCD technology, an OLED display consists of several organic layers applied to a plastic substrate. In the S-Class the OLED display is located behind a glass facing, and in combination with the actuators and pressure sensors behind it, it provides a comprehensive control and display experience. Evaluation of the pressure exerted and haptic confirmation of touch commands makes extended functionalities possible.

OLED panels emit light when subjected to an electric current, and unlike an LCD they do not require external background lighting. Power is only consumed where pixels light up. Among other benefits, this ensures a better black level and even stronger contrasts. When showing typical video sequences, OLED technology has an up to 30 percent lower energy consumption than LCD technology.

Models



S500V4 (223.163)

- MSRP: \$111,100
- Transmission: 9G-TRONIC 9-Speed Automatic Transmission
- Acceleration 0-60mpg (sec): 4.9
- Engine Configuration: 3.0L Inline-6 Turbo Mild-Hybrid Engine
- ICE Power (hp): 429 hp
- Torque (lb-ft): 384 lb-ft
- Launch Date: Second Half of 2021



S580V4 (223.176)

- MSRP: \$117,700
- Transmission: 9G-TRONIC 9-Speed Automatic Transmission
- Acceleration 0-60mpg (sec): 4.4
- Engine Configuration: 4.0L V8 Biturbo engine with Mild-Hybrid
- ICE Power (hp): 496 hp
- Torque (lb-ft): 516 lb-ft
- Launch Date: Second Half of 2021



Standard Equipment

S500V4



Performance & Handling

- 9G-TRONIC 9-speed Automatic Transmission
- DYNAMIC SELECT
- AIRMATIC Air Suspension
- ECO Start/Stop System

Comfort & Convenience

- Powered, Rapid-Heated, and Ventilated Front Seats with Massaging Feature, 4-Position Memory, and Lumbar Support
- Power Rear-Window Sunshade and Powered Side Rear Sunshades
- 12.3" Digital Instrument Cluster
- Garage Door Opener
- 12.8" OLED Touchscreen Center Display
- Fingerprint Sensor
- Illuminated Door Sill Panels
- Power-Folding Mirrors
- KEYLESS-GO with Seamless Door Handles
- Dual-Zone Automatic Climate Control
- Soft Close Doors
- "Hey Mercedes" Voice Control
- Heat Insulating, Noise Insulating, and Infrared-Reflecting Laminated Glass
- Active Parking Assist
- Double Front Sunvisors
- MBUX Interior Assistant Front
- MBUX with Navigation and "Hey Mercedes" Voice Control
- Panorama Roof
- Augmented Video for Navigation
- Wireless Charging Front
- Wireless Smartphone Integration (Apple Carplay, Android Auto™)
- KEYLESS Start
- Front LED Logo Projectors
- 8 USB-C Ports (4 Front, 4 Rear) and 115V Power Supply (Rear)
- Burmester® 3D Surround Sound System with Sound Personalization
- Leather Upholstery
- Electronic Trunk Closer
- SiriusXM Radio with Free Trial Period
- Air Balance Package
- Toll Gate Transponder
- Online Music Streaming
-

Safety & Security

- LED Intelligent Light System
- Mercedes-Benz eCall Emergency System
- Antitheft Alarm System
- Surround View Camera
- Driver Assistance Package
- Auto-Dimming Mirrors
- MAGIC VISION CONTROL
- PRE-SAFE Impulse Side
- Dash Camera



Performance & Handling

- 9G-TRONIC 9-speed Automatic Transmission
- DYNAMIC SELECT
- AIRMATIC Air Suspension
- ECO Start/Stop System

Comfort & Convenience

- Powered, Rapid-Heated, and Ventilated Front Seats with Massaging Feature, 4-Position Memory, and Lumbar Support
- Power Rear-Window Sunshade and Powered Side Rear Sunshades
- 12.3" Digital Instrument Cluster
- Garage Door Opener
- 12.8" OLED Touchscreen Center Display
- Fingerprint Sensor
- Illuminated Door Sill Panels
- Power-Folding Mirrors
- KEYLESS-GO with Seamless Door Handles
- Dual-Zone Automatic Climate Control
- Soft Close Doors
- "Hey Mercedes" Voice Control
- Heat Insulating, Noise Insulating, and Infrared-Reflecting Laminated Glass
- Active Parking Assist
- Double Front Sunvisors
- 77B MBUX Interior Assistant- Front
- MBUX with Navigation and "Hey Mercedes" Voice Control
- Panorama Roof
- Augmented Video for Navigation
- Wireless Charging Front
- Wireless Smartphone Integration (Apple Carplay, Android Auto™)
- KEYLESS Start
- Front LED Logo Projectors
- 8 USB-C Ports (4 Front, 4 Rear) and 115V Power Supply (Rear)
- Burmester® 3D Surround Sound System with Sound Personalization
- Nappa Leather Upholstery
- Electronic Trunk Closer
- SiriusXM Radio with Free Trial Period
- Air Balance Package
- Toll Gate Transponder
- Online Music Streaming

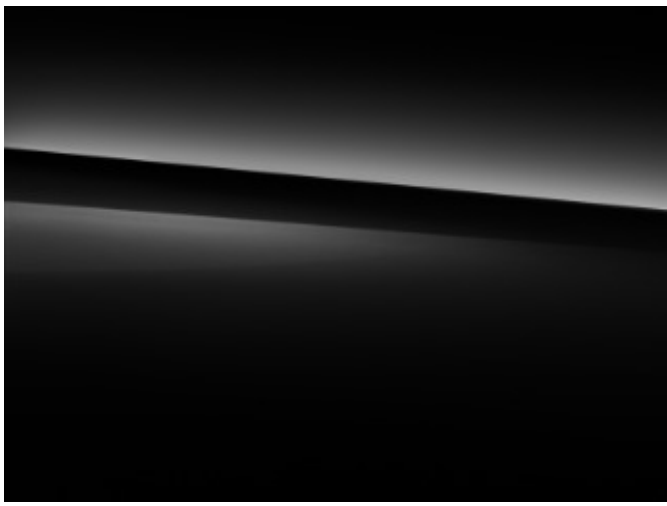
Safety & Security

- LED Intelligent Light System
- Mercedes-Benz eCall Emergency System
- Antitheft Alarm System
- Surround View Camera
- Driver Assistance Package
- Auto-Dimming Mirrors
- MAGIC VISION CONTROL
- PRE-SAFE Impulse Side
- Dash Camera



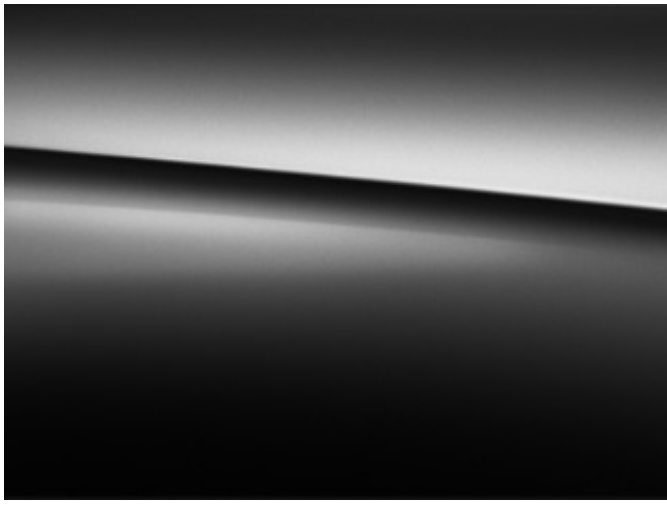
Paint

Non-Metallic Paints



040 - Black
Click to Enlarge

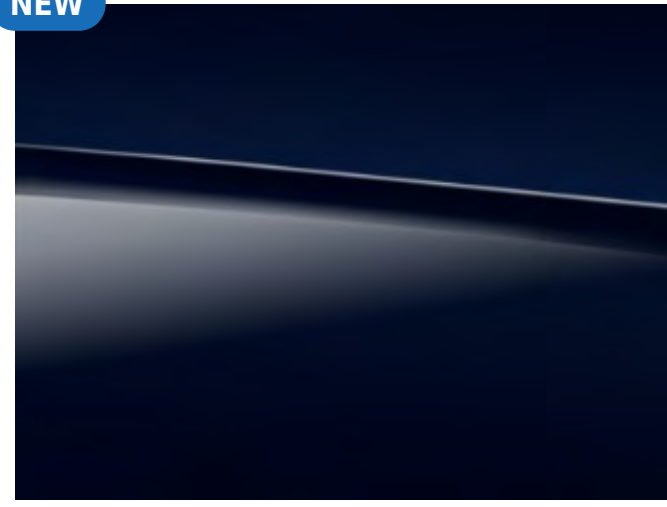
Metallic Paints



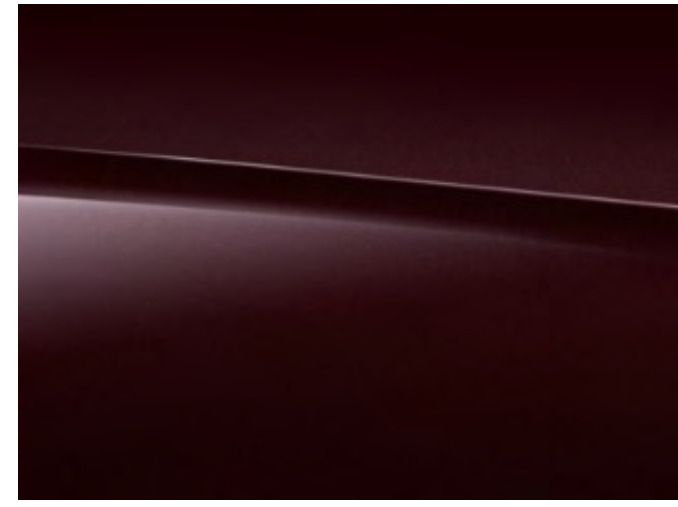
197 - Obsidian Black
Click to Enlarge



346 - Onyx Black*
Click to Enlarge *appears Metallic Brown in bright light



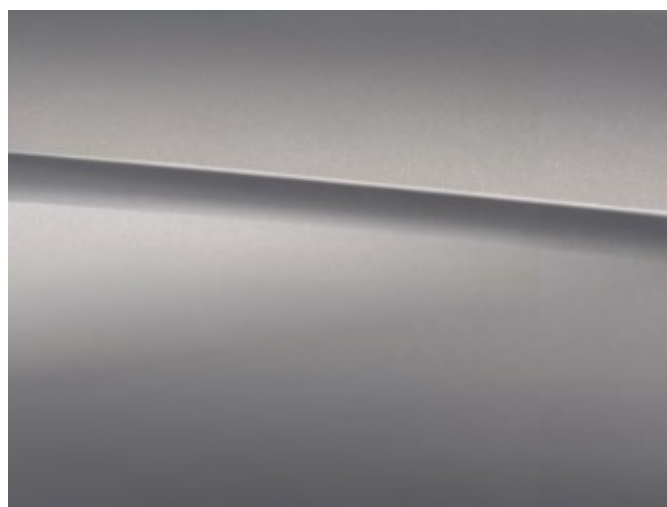
595 - Nautical Blue
Click to Enlarge



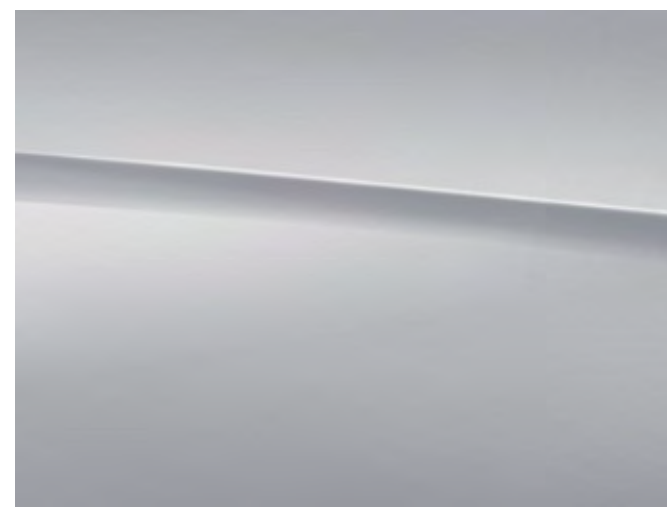
660 - Rubellite Red
Click to Enlarge



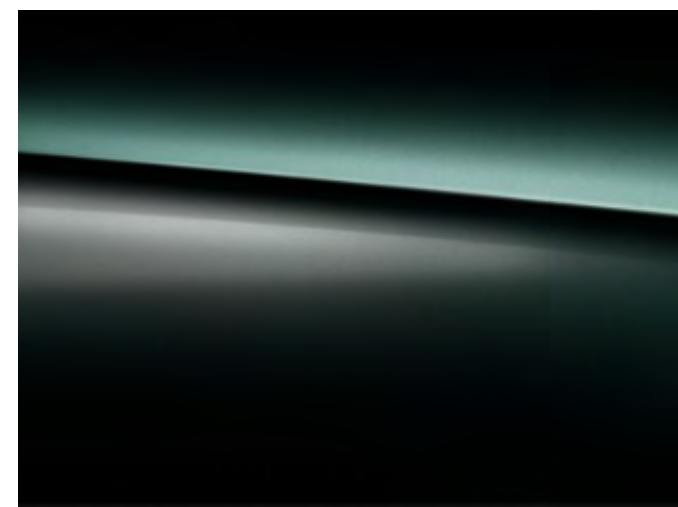
831 - Graphite Grey
Click to Enlarge



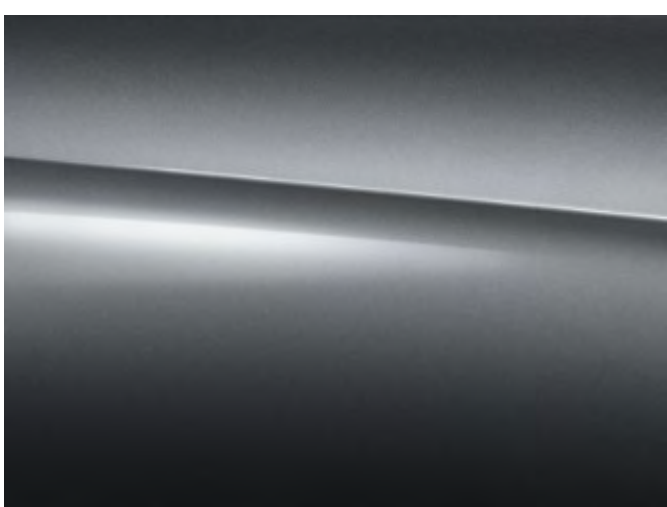
859 - Mojave Silver
Click to Enlarge



922 - Cirrus Silver
Click to Enlarge



989 - Emerald Green
Click to Enlarge



992 - Selenite Grey
Click to Enlarge

MANUFAKTUR Paints



049 - MANUFAKTUR Cashmere White Magno



297 - MANUFAKTUR Selenite Grey Magno



799 - MANUFAKTUR Diamond White



802 - MANUFAKTUR Kalahari Gold

<i>Code</i>	<i>Description</i>	<i>Availability</i>	<i>Price</i>
040	Black Click to Enlarge	All Models	\$0
197	Obsidian Black Click to Enlarge	All Models	\$0
346	Onyx Black* Click to Enlarge *appears Metallic Brown in bright light	All Models	\$0
595 (New)	Nautical Blue Click to Enlarge	All Models	\$0
660	Rubellite Red Click to Enlarge	All Models	\$0
831	Graphite Grey Click to Enlarge	All Models	\$0
859	Mojave Silver Click to Enlarge	All Models	\$0
922	Cirrus Silver Click to Enlarge	All Models	\$0
989	Emerald Green Click to Enlarge	All Models	\$0
992	Selenite Grey Click to Enlarge	All Models	\$0
049 (New)	MANUFAKTUR Cashmere White Magno	All Models	\$3,250
297 (New)	MANUFAKTUR Selenite Grey Magno	All Models	\$3,250
799	MANUFAKTUR Diamond White	All Models	\$1,750
802 (New)	MANUFAKTUR Kalahari Gold	All Models	\$1,750



Wheels



77R - 19" 5- Multispoke Wheels

Click to Enlarge/ Only with Luxury Line (DX0)
Only available on S500V4
19"
R02 (All-Season Tires)
255/45 R19 on 8.5 J x 19 ET31.5



R60 - 19" AERO 10-Twin Multispoke Wheels

Click to Enlarge/ Only with Luxury Line (DX0)
19"
R02 (All-Season Tires)
255/45 R 19 tyres on 8.5J x 19 ET31.5



60R - 20" Y-Multispoke Wheels

Click to Enlarge/ Only with Luxury Line (DX0)
20"
R02 (All-Season Tires)
245/40 R 20 on 9 J x 20 ET34



RRG - 19" AMG Twin 5-Spoke Wheels

Click to Enlarge/ Only with AMG Line (DX1)
19"
R02 (All-Season Tires)
255/45 R19 on 8.5 J x 19 ET31.5



RVQ - 20" AMG Multispoke Wheels

Click to Enlarge/ Only with AMG Line (DX1)
20"
R02 (All-Season Tires)
255/40 R 20 on 9 J x 20 ET34 (Front) 285/35 R 20 on 10 J x 20 ET48.1(Rear)



RWK - 21" AMG V-Multispoke Wheels

Click to Enlarge/ Only with AMG Line (DX1)
21"
R01 (High-Performance Tires)
255/35 R 21 on 9 J x 21 ET48 (Front) 285/30 R 21 on 10 J x 21 ET48 (Rear)



RWN - 21" AMG V-Multispoke Wheels with Black Inlays

Click to Enlarge/ Only with AMG Line (DX1)/ Requires Night Package (DC1)
21"
R01 (High-Performance Tires)
255/35 R 21 on 9 J x 21 ET48 (Front) 285/30 R 21 on 10 J x 21 ET48 (Rear)



15R - 19" 10-Twin Multispoke Wheels

Click to Enlarge/ Only with Luxury (DX0) and Executive (DX2) Line/Only available on S580V4
19"
R02 (All-Season Tires)
255/45 R19 on 8.5 J x 19 ET31.5



RVP - 20" AMG Multispoke Wheels painted with High-Gloss Black

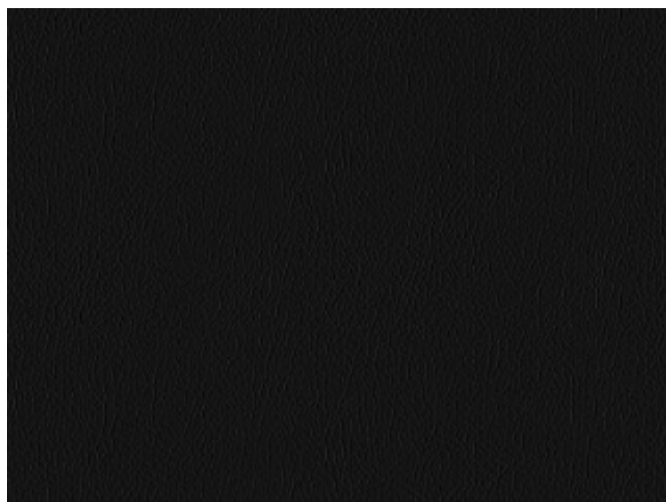
Click to Enlarge/ Only with AMG Line (DX1)/ Requires Night Package (DC1)
20"
R02 (All-Season Tires)
255/40 R 20 on 9 J x 20 ET34 (Front) 285/35 R 20 on 10 J x 20 ET48.1 (Rear)

Code	Wheel Size	Description	Wheel Dimensions	Mobility	Availability	MSRP
77R	19"	Click to Enlarge/ Only with Luxury Line (DX0) Only available on S500V4	255/45 R19 on 8.5 J x 19 ET31.5	R02 (All-Season Tires)	S500V4	\$0
R60	19"	Click to Enlarge/ Only with Luxury Line (DX0)	255/45 R 19 tyres on 8.5J x 19 ET31.5	R02 (All-Season Tires)	All Models	\$200
60R	20"	Click to Enlarge/ Only with Luxury Line (DX0)	245/40 R 20 on 9 J x 20 ET34	R02 (All-Season Tires)	All Models	\$950
RRG	19"	Click to Enlarge/ Only with AMG Line (DX1)	255/45 R19 on 8.5 J x 19 ET31.5	R02 (All-Season Tires)	All Models	\$0
RVQ	20"	Click to Enlarge/ Only with AMG Line (DX1)	255/40 R 20 on 9 J x 20 ET34 (Front) 285/35 R 20 on 10 J x 20 ET48.1(Rear)	R02 (All-Season Tires)	All Models	\$750
RWK (Limited Availability)	21"	Click to Enlarge/ Only with AMG Line (DX1)	255/35 R 21 on 9 J x 21 ET48 (Front) 285/30 R 21 on 10 J x 21 ET48 (Rear)	R01 (High-Performance Tires)	All Models	\$1,750
RWN (Limited Availability)	21"	Click to Enlarge/ Only with AMG Line (DX1)/ Requires Night Package (DC1)	255/35 R 21 on 9 J x 21 ET48 (Front) 285/30 R 21 on 10 J x 21 ET48 (Rear)	R01 (High-Performance Tires)	All Models	\$1,950
15R	19"	Click to Enlarge/ Only with Luxury (DX0) and Executive (DX2) Line/Only available on S580V4	255/45 R19 on 8.5 J x 19 ET31.5	R02 (All-Season Tires)	S580V4	\$0
RVP (New) ted Availability)	20"	Click to Enlarge/ Only with AMG Line (DX1)/ Requires Night Package (DC1)	255/40 R 20 on 9 J x 20 ET34 (Front) 285/35 R 20 on 10 J x 20 ET48.1 (Rear)	R02 (All-Season Tires)	All Models	TBD



Upholstery

Leather



201 - Black

Click to Enlarge/ Requires 51U Black Headliner or 58U Grey Headliner



204 - Sienna Brown & Black

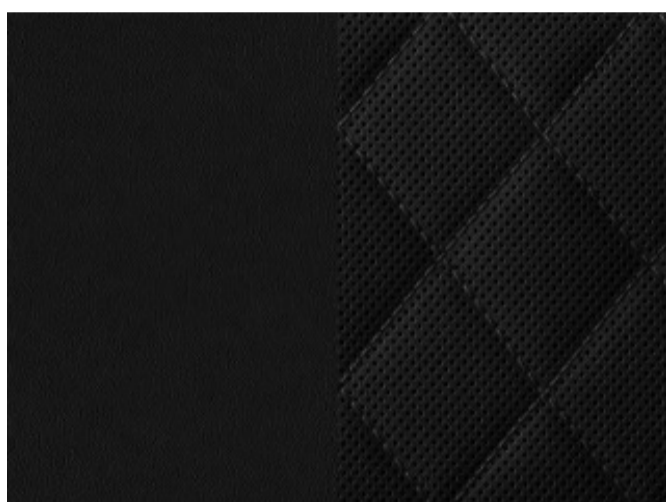
Click to Enlarge/ Requires 51U Black Headliner



205 - Macchiato & Magma Grey

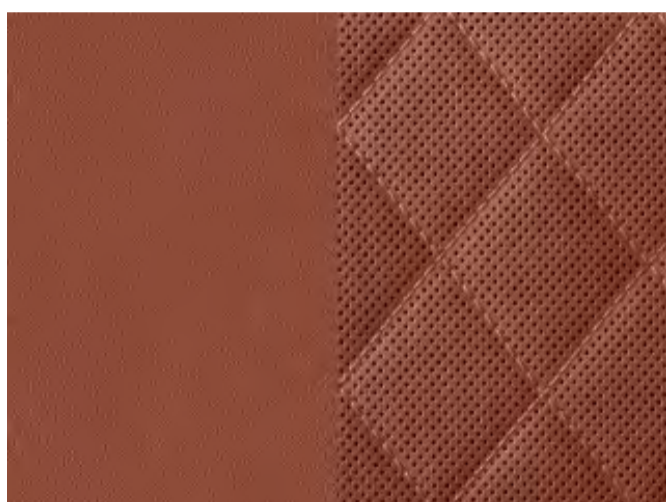
Click to Enlarge/ Requires 55U Beige Headliner/Comes with Magma Grey Floor/FloorMats

Nappa Leather



801 - Black

Click to Enlarge/ Requires 51U Black Headliner or 58U Grey Headliner



804 - Sienna Brown & Black

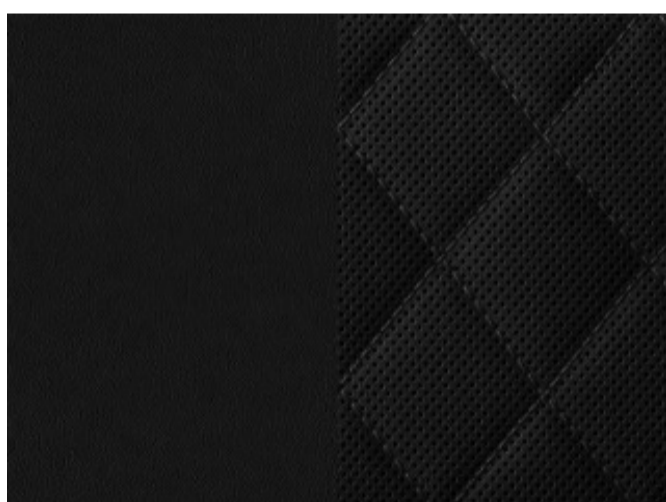
Click to Enlarge/ Requires 51U Black Headliner/ Not Available with 802-MANUFAKTUR Kalahari Gold



805 - Macchiato & Magma Grey

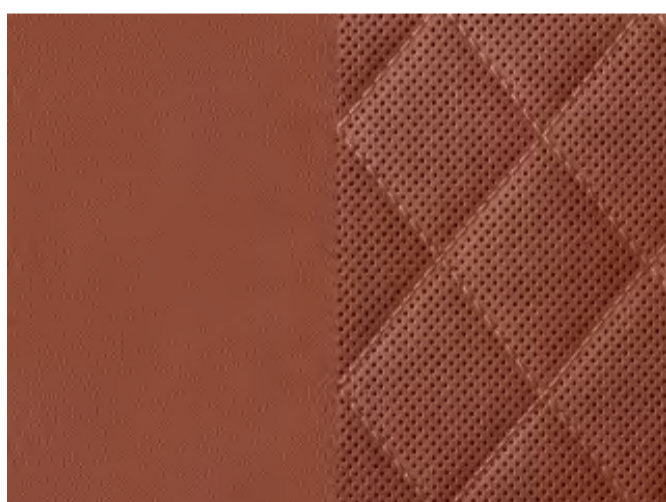
Click to Enlarge/ Requires 55U Beige Headliner/Comes with Magma Grey Floor/FloorMats

Exclusive Nappa Leather



501 - Black

Click to Enlarge/ Requires 61U (Black DINAMICA) or 68U (Grey DINAMICA) Headliner, Requires P34 (Exclusive Upholstery) and 735/Requires Warmth & Comfort Package (DB0)



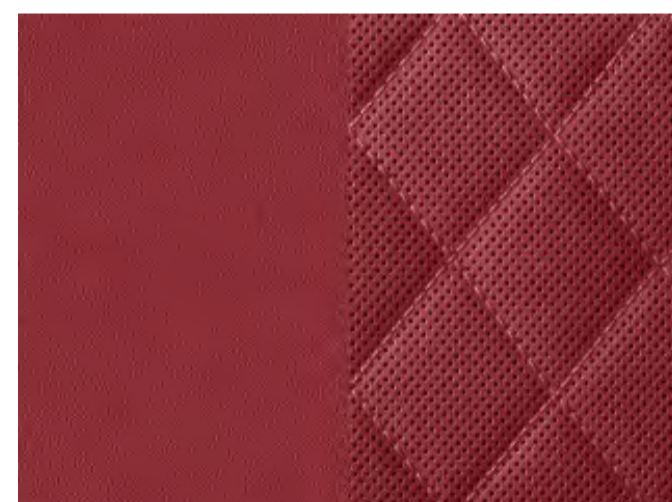
504 - Exclusive Sienna Brown & Black

Click to Enlarge/ Requires 61U (Black DINAMICA) Headliner, Requires P34 (Exclusive Upholstery) and 735/Requires Warmth & Comfort Package (DB0)/Not Available with 802- MANUFAKTUR Kalahari Gold



505 - Exclusive Macchiato & Magma Grey/ Comes with Macchiato Beige Carpet/ Magma Grey FloorMats

Click to Enlarge/ Requires 65U (Beige DINAMICA) Headliner, Requires P34 (Exclusive Upholstery) and 735/Requires Warmth & Comfort Package (DB0)



507 - Exclusive Carmine Red & Black

Click to Enlarge/ Requires 61U (Black DINAMICA) Headliner, Requires P34 (Exclusive Upholstery) and 735/Requires Warmth & Comfort Package (DB0)



508 - Exclusive Silver Grey & Black

Click to Enlarge/ Requires 61U (Black DINAMICA) or 68U (Grey DINAMICA) Headliner, Requires P34 (Exclusive Upholstery) and 735/Requires Warmth & Comfort Package (DB0)

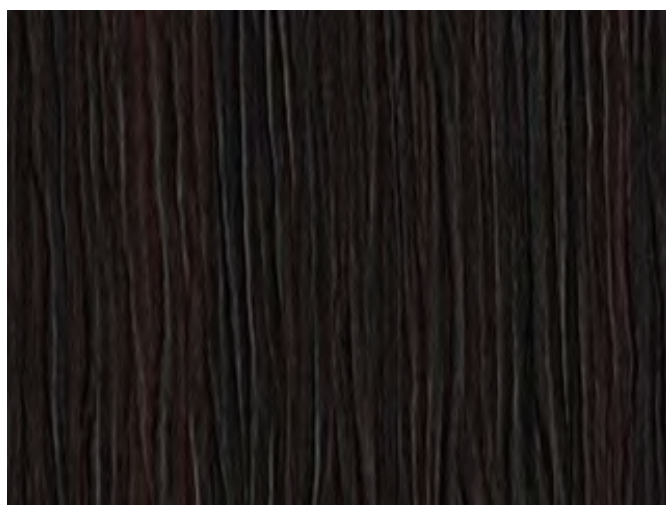


<i>Code</i>	<i>Description</i>	<i>Availability</i>	<i>Price</i>
201	Black Click to Enlarge/ Requires 51U Black Headliner or 58U Grey Headliner	S500V4	\$0
204	Sienna Brown & Black Click to Enlarge/ Requires 51U Black Headliner	S500V4	\$0
205	Macchiato & Magma Grey Click to Enlarge/ Requires 55U Beige Headliner/Comes with Magma Grey Floor/FloorMats	S500V4	\$0
801	Black Click to Enlarge/ Requires 51U Black Headliner or 58U Grey Headliner	All Models	\$2,290 (S500V4) \$0 (S580V4)
804	Sienna Brown & Black Click to Enlarge/ Requires 51U Black Headliner/ Not Available with 802- MANUFAKTUR Kalahari Gold	All Models	\$2,290 (S500V4) \$0 (S580V4)
805	Macchiato & Magma Grey Click to Enlarge/ Requires 55U Beige Headliner/Comes with Magma Grey Floor/FloorMats	All Models	\$2,290 (S500V4) \$0 (S580V4)
501	Black Click to Enlarge/ Requires 61U (Black DINAMICA) or 68U (Grey DINAMICA) Headliner, Requires P34 (Exclusive Upholstery) and 735/Requires Warmth & Comfort Package (DB0)	All Models	\$5,400 (S500V4) \$3,110 (S580V4)
504	Exclusive Sienna Brown & Black Click to Enlarge/ Requires 61U (Black DINAMICA) Headliner, Requires P34 (Exclusive Upholstery) and 735/Requires Warmth & Comfort Package (DB0)/Not Available with 802- MANUFAKTUR Kalahari Gold	All Models	\$5,400 (S500V4) \$3,110 (S580V4)
505	Exclusive Macchiato & Magma Grey/ Comes with Macchiato Beige Carpet/ Magma Grey FloorMats Click to Enlarge/ Requires 65U (Beige DINAMICA) Headliner, Requires P34 (Exclusive Upholstery) and 735/Requires Warmth & Comfort Package (DB0)	All Models	\$5,400 (S500V4) \$3,110 (S580V4)
507	Exclusive Carmine Red & Black Click to Enlarge/ Requires 61U (Black DINAMICA) Headliner, Requires P34 (Exclusive Upholstery) and 735/Requires Warmth & Comfort Package (DB0)	All Models	\$5,400 (S500V4) \$3,110 (S580V4)
508	Exclusive Silver Grey & Black Click to Enlarge/ Requires 61U (Black DINAMICA) or 68U (Grey DINAMICA) Headliner, Requires P34 (Exclusive Upholstery) and 735/Requires Warmth & Comfort Package (DB0)	All Models	\$5,400 (S500V4) \$3,110 (S580V4)

<i>Code</i>	<i>Upholstery</i>	<i>Seats</i>	<i>Floor Mats</i>	<i>Upper Dash/Lower Dash</i>	<i>Seat Belts</i>	<i>Steering Wheel</i>	<i>Headliner</i>
201	Black Click to Enlarge/ Requires 51U Black Headliner or 58U Grey Headliner	Black	Black	Black	Black	Black	Black or Grey
204	Sienna Brown & Black Click to Enlarge/ Requires 51U Black Headliner	Sienna Brown	Black	Black	Black	Black	Black
205	Macchiato & Magma Grey Click to Enlarge/ Requires 55U Beige Headliner/Comes with Magma Grey Floor/FloorMats	Macchiato	Magma Grey	Magma Grey	Macchiato	Macchiato	Beige
801	Black Click to Enlarge/ Requires 51U Black Headliner or 58U Grey Headliner	Black	Black	Black	Black	Black	Black or Grey
804	Sienna Brown & Black Click to Enlarge/ Requires 51U Black Headliner/ Not Available with 802- MANUFAKTUR Kalahari Gold	Sienna Brown	Black	Black	Black	Black	Black
805	Macchiato & Magma Grey Click to Enlarge/ Requires 55U Beige Headliner/Comes with Magma Grey Floor/FloorMats	Macchiato	Magma Grey	Magma Grey	Macchiato	Macchiato	Beige
501	Black Click to Enlarge/ Requires 61U (Black DINAMICA) or 68U (Grey DINAMICA) Headliner, Requires P34 (Exclusive Upholstery) and 735/Requires Warmth & Comfort Package (DB0)	Black	Black	Black	Black	Black	Black or Grey
504	Exclusive Sienna Brown & Black Click to Enlarge/ Requires 61U (Black DINAMICA) Headliner, Requires P34 (Exclusive Upholstery) and 735/Requires Warmth & Comfort Package (DB0)/Not Available with 802- MANUFAKTUR Kalahari Gold	Sienna Brown	Black	Black	Black	Black	Black
505	Exclusive Macchiato & Magma Grey/ Comes with Macchiato Beige Carpet/ Magma Grey FloorMats Click to Enlarge/ Requires 65U (Beige DINAMICA) Headliner, Requires P34 (Exclusive Upholstery) and 735/Requires Warmth & Comfort Package (DB0)	Macchiato	Magma Grey	Magma Grey	Macchiato	Beige	Beige
507	Exclusive Carmine Red & Black Click to Enlarge/ Requires 61U (Black DINAMICA) Headliner, Requires P34 (Exclusive Upholstery) and 735/Requires Warmth & Comfort Package (DB0)	Carmine Red	Black	Black	Black	Black	Black
508	Exclusive Silver Grey & Black Click to Enlarge/ Requires 61U (Black DINAMICA) or 68U (Grey DINAMICA) Headliner, Requires P34 (Exclusive Upholstery) and 735/Requires Warmth & Comfort Package (DB0)	Silver Grey	Black	Silver Grey	Black	Black	Black or Silver Grey

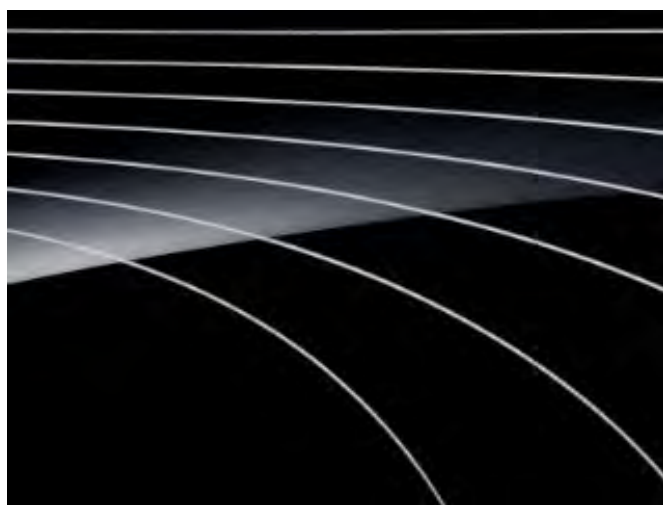


Trims



H02 - Finline "Anthracite" Natural Grain

[Click to Enlarge](#)



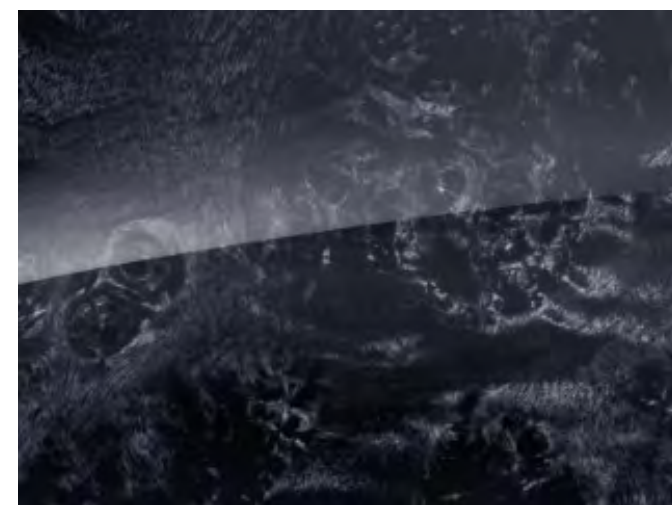
H17 - Piano Lacquer Flowing Lines

[Click to Enlarge](#)



H29 - Brown High-Gloss Burl Walnut Wood

[Click to Enlarge](#) /Not available with AMG Line (DX1)



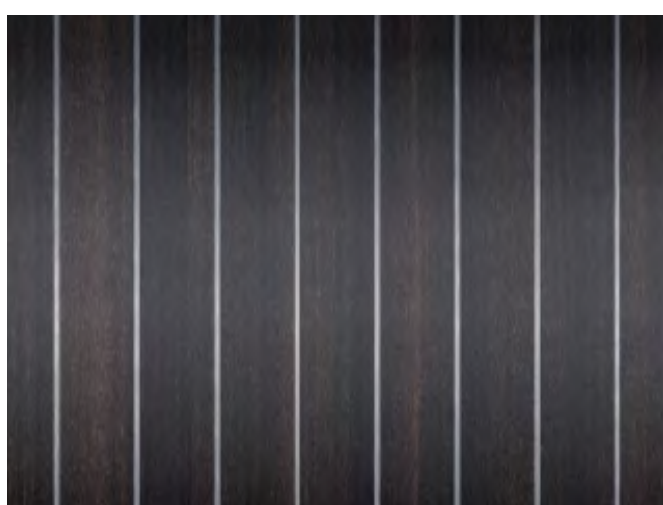
H37 - Slate High-Gloss Poplar Wood

[Click to Enlarge](#)



H75 - Stainless Steel-Metal Blended Black/Silver

[Click to Enlarge](#)/ Only available with AMG Line (DX1)



H38 - Silver Aluminum Fanned Walnut Wood

[Click to Enlarge](#)/ Not available with 201- Black Leather Upholstery/Not available with 204- Sienna Brown & BlackLeather Upholstery/ Not available with 205- Macchiato & Magma Grey Leather Upholstery

NEW



722 - Center Console Metallic Mixed look Black / Silver

Only with H75/ Only with AMG Line (DX1)



726 - Centre Console Black Crystal Look Finish

Standard



797 - Centre Console Black Dotted Lines

Not with H75

<i>Code</i>	<i>Description</i>	<i>Availability</i>	<i>Price</i>
H02	Finline "Anthracite" Natural Grain Click to Enlarge	All Models	\$0
H17	Piano Lacquer Flowing Lines Click to Enlarge	All Models	\$1,300
H29	Brown High-Gloss Burl Walnut Wood Click to Enlarge /Not available with AMG Line (DX1)	All Models	\$0
H37	Slate High-Gloss Poplar Wood Click to Enlarge	All Models	\$0
H75	Stainless Steel-Metal Blended Black/Silver Click to Enlarge / Only available with AMG Line (DX1)	All Models	\$850
H38	Silver Aluminum Fanned Walnut Wood Click to Enlarge / Not available with 201- Black Leather Upholstery/Not available with 204- Sienna Brown & BlackLeather Upholstery/ Not available with 205- Macchiato & Magma Grey Leather Upholstery	All Models	\$3,200
722 (New)	Center Console Metallic Mixed look Black / Silver Only with H75/ Only with AMG Line (DX1)	All Models	TBD
726	Centre Console Black Crystal Look Finish Standard	All Models	\$0
797 (New)	Centre Console Black Dotted Lines Not with H75	All Models	TBD



Lines & Packages

<i>Code</i>	<i>Packages</i>	<i>Availability</i>	<i>MSRP</i>
DX0	<p>Luxury Line</p> <ul style="list-style-type: none"> ▪ 436 - Front Comfort Headrests ▪ 401 - Ventilated Front Seats ▪ 902 - Front Heated Seat Plus ▪ 297 - Electric Sunblinds in Rear Doors ▪ 432 - Active Multicontour Seats ▪ 943 - Toll Gate Transponder ▪ 501 - 360 Surround View Camera ▪ 72B - USB Package Plus ▪ P21 - Air Balance Package 	All Models	TBD
DX1	<p>AMG Line</p> <p>All Standard Equipment from Luxury Line Plus</p> <ul style="list-style-type: none"> ▪ 772 - AMG Line Exterior ▪ U26 - AMG Floor mats ▪ 951 - Sport Package Code ▪ WCO - Wheel Choice of: <ul style="list-style-type: none"> ○ RVQ - 20" AMG Multispoke Wheels (\$750) ○ RRG - 19" AMG Twin 5-Spoke Wheels (Included) ○ RWN - 21" AMG V-Multispoke Wheels with Black Inlays / Only with Night Package (DC1) (\$1950) ○ RVR - 20" AMG Multispoke Wheels with Black Inlays /Only with Night Package (DC1) (\$950) ○ RWK - 21" AMG V-Multispoke Wheels (\$1750) 	All Models	TBD
DB0	<p>Warmth and Comfort Package</p> <p>Available with Luxury and AMG Line. Standard for Executive Line</p> <ul style="list-style-type: none"> ▪ 402 - Ventilated Rear Seats ▪ PBS - Front Energizing Package ▪ 906 - Heated Front Armrests ▪ 907 - Heated Rear Armrests ▪ 223 - Power Rear Seats ▪ 443 - Heated Steering Wheel ▪ 276 - Memory Rear Seats ▪ 903 - Heated Rear Seats 	All Models	\$3,800
DF0 (Delayed)	<p>3D Technology Package Code/ Constrained</p> <p>Available with Luxury, AMG and Executive Line</p> <ul style="list-style-type: none"> ▪ 451 - 3D Instrument Cluster ▪ 445 - MBUX Augmented Reality Head-Up Display 	All Models	\$3,000
DC1	<p>Night Package</p> <p>Only available with AMG Line</p> <ul style="list-style-type: none"> ▪ P55 - Night Package Code 	All Models	\$400
DX2	<p>Executive Line</p> <p>All Standard Equipment from Luxury Line Plus/ Not available on S 500</p> <ul style="list-style-type: none"> ▪ 302 - Rear Airbag ▪ 898 - Wireless Charging Rear ▪ 443 - Heated Steering Wheel ▪ 447 - MBUX Rear Tablet ▪ 453 - Executive Rear Seat ▪ 322 - Rear Neck Heating ▪ 323 - Calf Massage Function ▪ 907 - Rear Heated Armrest ▪ 306 - Rear Beltbag ▪ 276 - Rear Memory Seats ▪ P43 - Rear Seat Comfort ▪ 406 - Active Multicontour Rear Seats ▪ PBS - Front ENERGIZING COMFORT Package ▪ 561 - Design Belt Buckles Rear ▪ 906 - Front Heated Armrest ▪ 452 - Electric Adjust Rear Seats ▪ 582 - 4-Zone Climate Control ▪ P07 - Chauffeur Package Rear ▪ 216 - 10 Degree Rear Axle Steering ▪ U07 - Belt Bringer in Rear Seat ▪ 903 - Rear Seat Heating ▪ 223 - Power Rear Seats ▪ 439 - Easy Adjust Headrest ▪ 402 - Ventilated Rear Seats 	S580V4	TBD



Options

Factory Options

<i>Code</i>	<i>Options</i>	<i>Availability</i>	<i>MSRP</i>
201	4.5 Degree Rear Axle Steering Available on AMG Line (DX1)	All Models	\$1,300
443	Heated Steering Wheel Available on Luxury (DX0) and AMG (DX1) Line	All Models	\$250
811	Burmester® High-End 4D Surround Sound System Available on Luxury (DX0), and AMG (DX1) Line/Requires Warmth & Comfort Package (DB0)/ Not Available with 2XX Leather on S500 4MATIC	All Models	\$6,730
490 (New)	E-Active Body Control Available on Luxury (DX0), AMG (DX1) and Executive (DX2) Line/ Requires 3D Technology Package (DF0)	All Models	TBD



VPC Installed Options

<i>Code</i>	<i>Options</i>	<i>Availability</i>	<i>MSRP</i>
D07	Wheel Locking Bolts		\$150
D10	Rear Deck Spoiler in Body Color	All Models	\$500
D21	Rear Spoiler - Black	All Models	\$500
D28	Comfort Box	All Models	\$350
D43	All-Season Front & Rear Floor Mats, Black Rubber	All Models	\$160
D49	First Aid Kit		\$35



Specifications

S500V4



Drivetrain

Transmission	9G-TRONIC 9-Speed Automatic Transmission
Drive Configuration	All-wheel Drive

Engine

Engine Configuration	3.0L Inline-6 Turbo Mild-Hybrid Engine
ICE Power (hp)	429 hp
Torque (lb-ft)	384 lb-ft
Compression Ratio	TBD
Fuel Requirement (Octane)	TBD
Fuel Tank Size (gallons)	22.19
Displacement (cc)	2999

Performance

Acceleration 0-60pmg (sec)	4.9
Top Speed (mph)	130
Transmission Speeds	9
Towing Capacity (lbs)	TBD
Maximum Load	TBD

Fuel Economy

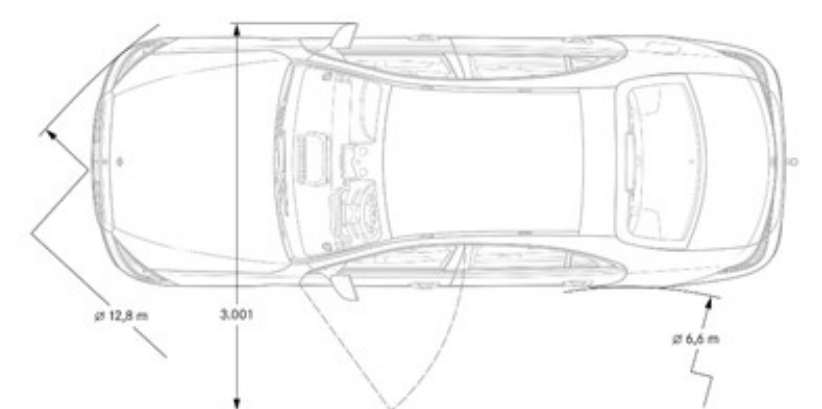
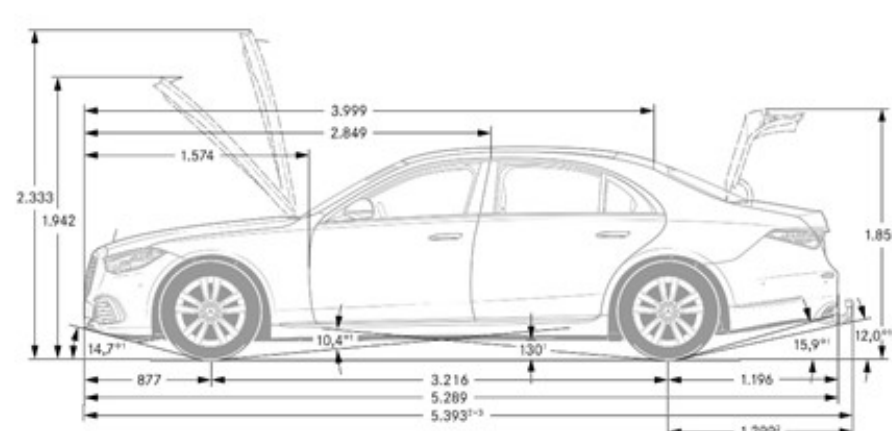
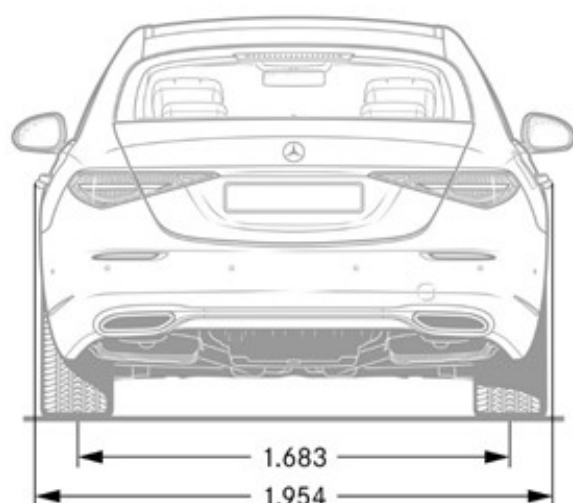
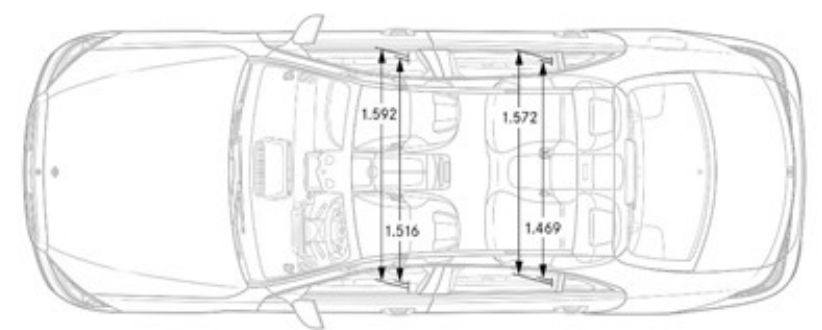
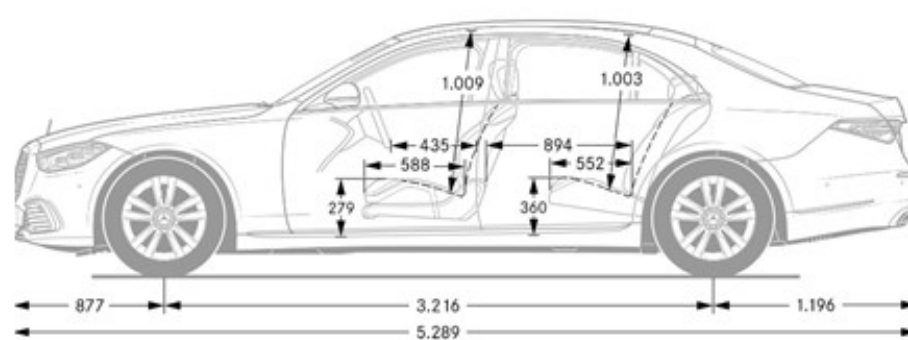
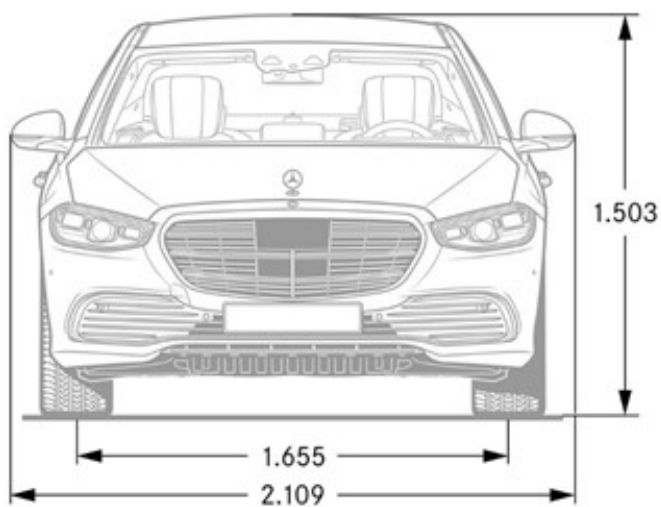
City Fuel Economy	TBD
Highway Fuel Economy	TBD
Emission Certification	TBD

Exterior Dimensions

Vehicle Length (in.)	208.2
Vehicle Height (in.)	59.2
Vehicle Width w/ exterior mirrors (in.)	83.0
Wheelbase (in.)	126.6
Curb Weight (lbs)	TBD
Track Width Front/Rear (in.)	TBD

Interior Dimensions

Trunk Size (cubic feet)	12.9
-------------------------	------



Drivetrain

Transmission	9G-TRONIC 9-Speed Automatic Transmission
Drive Configuration	All-wheel Drive

Engine

Engine Configuration	4.0L V8 Biturbo engine with Mild-Hybrid
ICE Power (hp)	496 hp
Torque (lb-ft)	516 lb-ft
Compression Ratio	TBD
Fuel Requirement (Octane)	TBD
Fuel Tank Size (gallons)	22.19
Displacement (cc)	3982

Performance

Acceleration 0-60pmg (sec)	4.4
Top Speed (mph)	130
Transmission Speeds	9
Towing Capacity (lbs)	TBD
Maximum Load	TBD

Fuel Economy

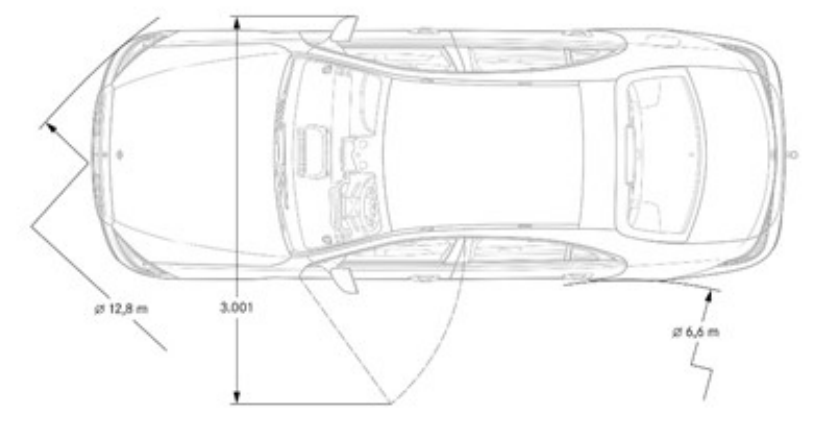
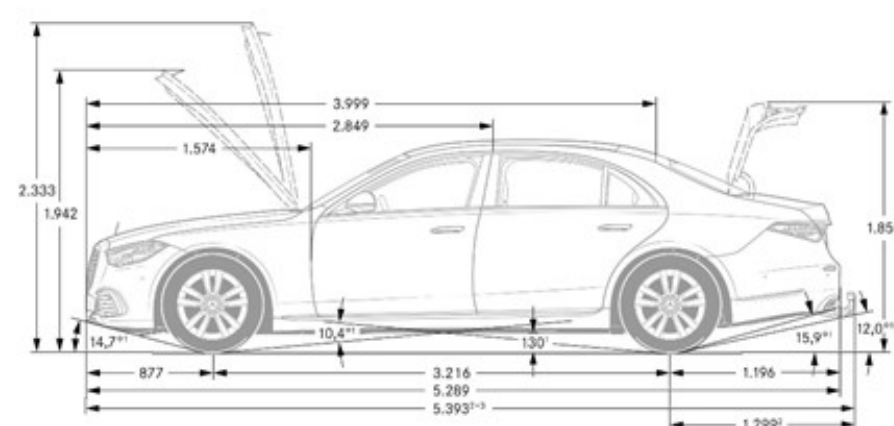
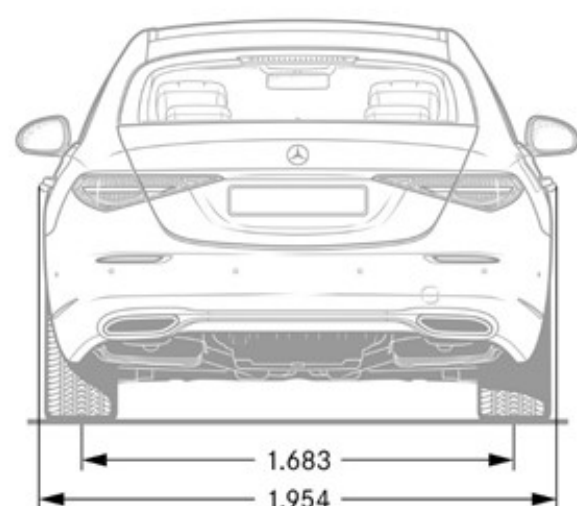
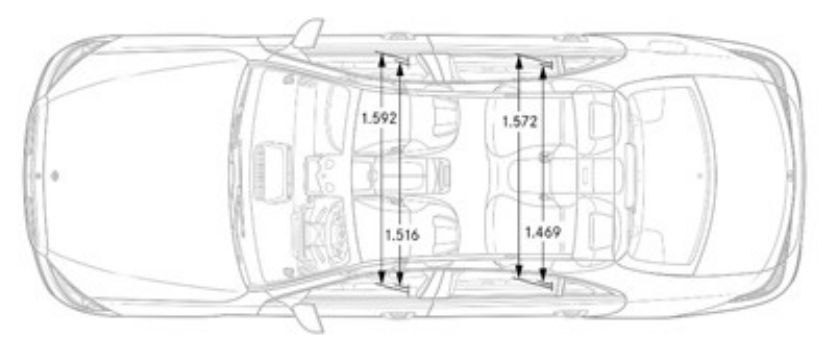
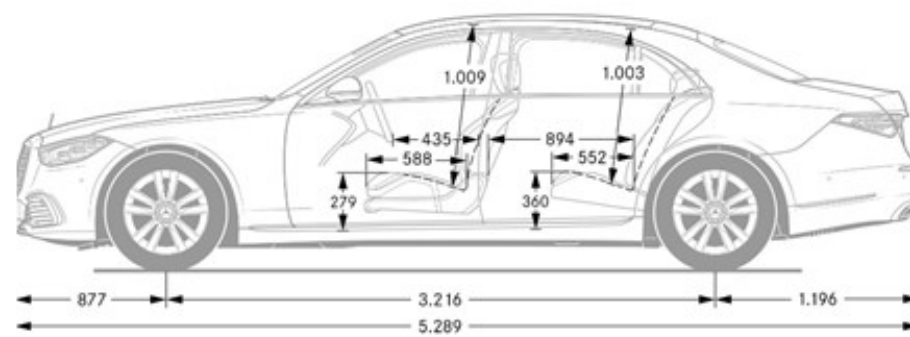
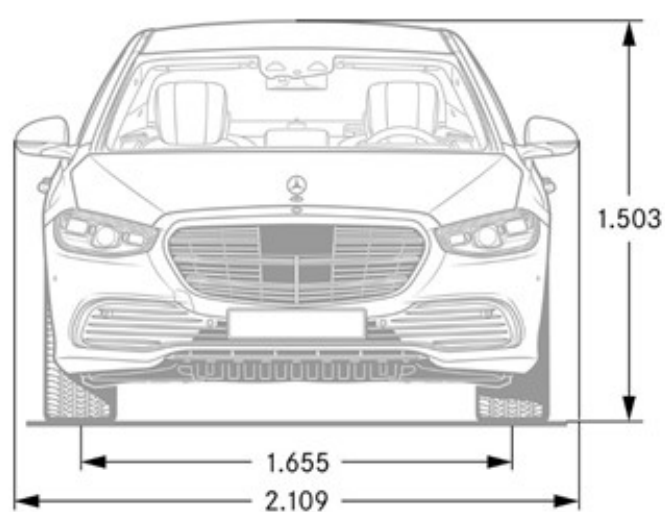
City Fuel Economy	TBD
Highway Fuel Economy	TBD
Emission Certification	TBD

Exterior Dimensions

Vehicle Length (in.)	208.2
Vehicle Height (in.)	59.2
Vehicle Width w/ exterior mirrors (in.)	83.0
Wheelbase (in.)	126.6
Curb Weight (lbs)	TBD
Track Width Front/Rear (in.)	TBD

Interior Dimensions

Trunk Size (cubic feet)	12.9
--------------------------------	------



Options In Detail

Steering Wheel



3-spoke Nappa Leather Steering Wheel (L2B)

Standard

- 3-Spoke Steering Wheel
- Spokes in high-gloss black with silver chrome surround
- Steering wheel paddle shifters in silver chrome
- Operation via Touch Control panels:
 - Left: e.g. instrument cluster, Active Distance Assist DISTRONIC
 - Right: multimedia system (e.g. audio volume and title selection, telephony and navigation)
 - Touch sensitivity adjustable via central display



3-spoke Wood & Leather Steering Wheel (L2D)

Standard

Not with Fineline Anthracite Natural Grain (H02), Silver Aluminum Fanned Walnut (H38)

- 3-Spoke Steering Wheel
- Spokes in high-gloss black with silver chrome surround
- Steering wheel paddle shifters in silver chrome
- Operation via Touch Control panels:
 - Left: e.g. instrument cluster, Active Distance Assist DISTRONIC
 - Right: multimedia system (e.g. audio volume and title selection, telephony and navigation)
 - Touch sensitivity adjustable via central display





Burmester® High-End 4D Surround Sound System (811) (Optional)

Optional with Luxury, AMG and Executive Line

You enjoy music with all of the senses and get a unique 4D experience. This new dimension comes courtesy of speaker-like resonators featuring sound massage. Surround speakers integrated into the seats also help to optimize the surround sound. Furthermore, the clear voice reproduction delivered by the telephony ensures you benefit from a perfect workspace.

Key Facts:

- Amplifier with digital and analogue filters and output of 1750 watts for natural, warm and at the same time solid sound
- 30 high-end speakers, all with their own amplifier channel
- Additional amplifier with an output of 400 watts for subwoofer bass speaker (18.5-litre volume) in the boot
- 2 broadband speakers in the upper backrest area of each front seat, their position close to the ear also optimizes the quality of telephony (Driver Mode)
- 6 broadband speakers (3D-Sound) distributed in the overhead control panel, the roof cluster between the front and rear seat row and also in the sides behind the B-pillars
- 2 resonators each per front seat and outer rear seats (technically like a speaker without a membrane) in the seat backrests, vibrate and pulsate in synch with the music
- 2 bass speakers integrated in the bodyshell (Frontbass technology)
- 1 subwoofer in each door
- 7 mid-range speakers (one in each door, one centrally on the dashboard, two on the parcel shelf)
- 7 tweeters (in the front in the mirror triangle - integrated and extending, combined with ambient lighting - one in each of the rear doors, one centrally on the dashboard, two on the parcel shelf)
- Sound Personalization function for sound reproduction tuned to individual music tastes
- VIP seat function to optimize the sound for individual seats
- 5 sound profiles: Pure, Live, Easy Listening, Surround, 3D-Sound
- Noise compensation (VNC)
- Supports multichannel audio formats
- 2-way in-car communication



Toll Gate

The Toll System will allow users to pay for tolls conveniently without stopping throughout the US via the already included standard Hardware in the vehicle.

The Toll System will be activated through the "Toll Service" Head Unit application. Users will enter payment information for the Automated Toll Service via the Mercedes me connect Portal.

Users may deactivate the service at any time by toggling the service off via the "Toll Service" Head Unit application.

The Toll System network is provided by Payviam, Bestpass is the service name.

How does it work?

Customer enrolls the built in vehicle toll hardware via the headunit 'Tolls' app with Payviam. They follow the registration steps and are charged \$70 (\$20 annual subscription + \$50 for the account to use on toll routes). As they approach a toll road, the vehicle is recognized and customer can drive on the route.

How does the airport parking work?

For enrolled customers, the customer drives up to the eligible airport parking lots and the gate will recognize the built in hardware in the car and open. The customer can park anywhere in the parking lot and does not need to take a ticket. When leaving, the exit gate should also recognize the vehicle.

Who handles payment disputes?

MBUSA CAC does not handle any payment related inquiries but can redirect the customer to payviam support:

Telephone: 1 888 725 1012

E mail: support@payviam.com



3D Instrument Cluster- (451) (Optional)

Optional with Luxury, AMG and Executive Line

Keep your eye on the important things in the 3D instrument cluster. The three-dimensional warnings and functions of the driving assistance systems are immediately noticeable with their striking 3D and shaded effects. Another trailblazing effect is the fascinating 3D image of cars, trucks, buses or motorcycles ahead of your vehicle.

Key Facts:

- Free-standing 12.3-inch (31.2 cm) display with resolution of 2400 x 2 x 900 pixels
- Controlled via the left touch switch panel or MBUX voice assistant
- 3D display with spatial/shading effects for
 - other road users (cars, trucks, buses, motorcycles)
 - Navigation instructions
 - Functions of the driving assistance systems
 - Vehicle information
- Different display styles such as "Modern Classic" and "Luxury", also "Discreet" with reduced display content
- Full-screen mode for navigation (including zoom function) and for driving assistance
- Extension of ATTENTION ASSIST with microsleap warning using a driver camera:
 - Registers driver characteristics such as facial expression and eyelid movement
 - Recognizes distraction and drowsiness
 - Visual and acoustic warning signal
 - Automatic calibration
 - Active from a speed of 12 MPH
 - Independent of the outside light level

E- Active Body Control (490)

With E-ACTIVE BODY CONTROL, your vehicle benefits from a suspension which has been redeveloped from the ground up. It is able to assess the driving conditions, speed and load. For this, the high-performance control units analyse the driving conditions 1000 times per second. Damping and level control are automatically adjusted for each wheel accordingly. For superb ride comfort and outstanding stability - on dry, wet and slippery road surfaces in equal measure.

For this suspension there is a choice of four DYNAMIC SELECT drive programs. With "Comfort" you enjoy balanced tuning. The ROAD SURFACE SCAN takes this to a new level: no matter how uneven the road is - you glide across it smoothly, since a camera continually analyses the road condition. Your Mercedes therefore sees bumps and road damage, passes the gathered information on to the intelligent suspension and the damping compensates for the roughness in a smooth, anticipatory manner.

The "Curve" drive program for winding routes also provides compensatory tuning - with one special, extra feature: the curve tilting function CURVE ensures noticeably lower lateral forces when cornering and enhances your driving pleasure - you can control the intensity and dynamism in three stages. Things become even more dynamic with "Sport" for noticeably stiffer tuning with fast-response steering - ideal for a brisk driving style on winding country roads and motorways. The "ECO" drive program is the right choice when you want to be on the move in a particularly fuel-efficient manner on good roads.



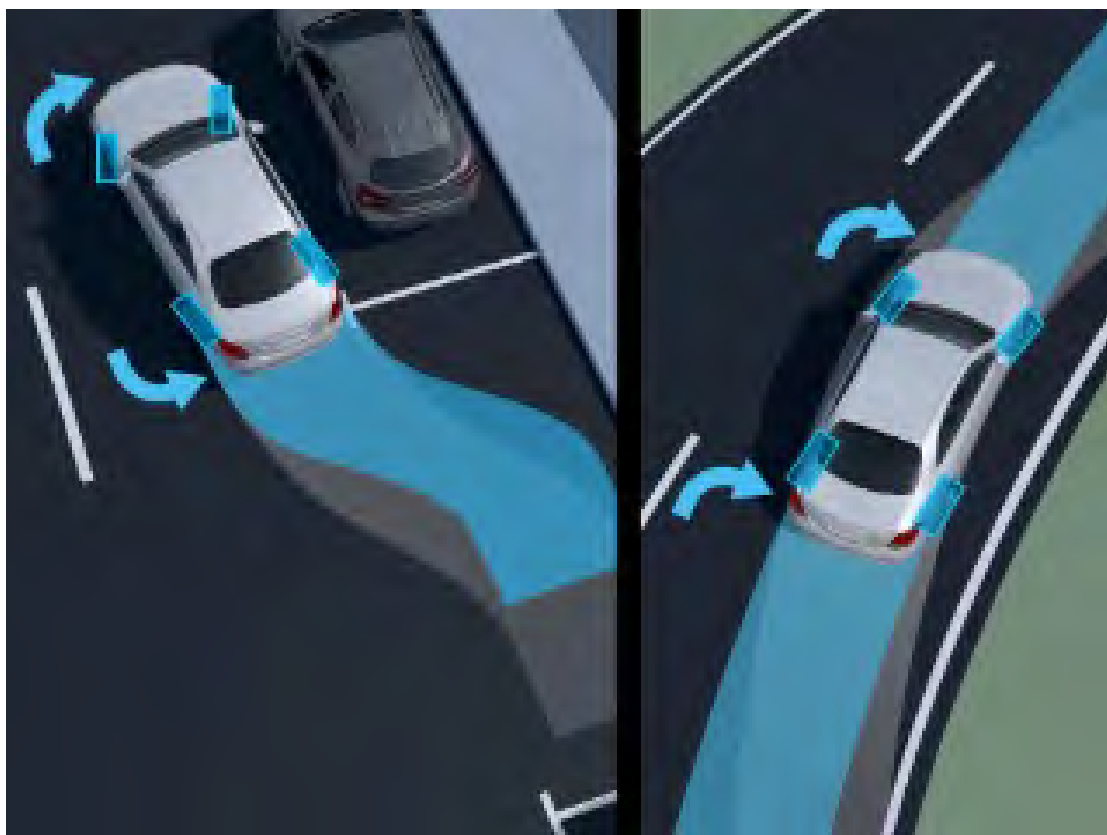


4.5° Rear-Axle Steering

Optional 4.5° with AMG Line (DX1)

The rear-axle steering with steering angle adjustment of 4.5° offers three key advantages: even more superior roadholding, significantly enhanced agility and, last but not least, better manoeuvrability – such as when parking. For this, the rear wheels steer in the opposite or the same direction as the front wheels depending on the vehicle speed.

- Four speed-dependent steering strategies:
 - Parking with a reduced turning circle (steering angle of up to 4.5° in the opposite direction to the front axle)
 - City manoeuvrability (steering angle of up to 4.5° in the opposite direction to the front axle), active up to approx. 60 km/h
 - Top speed stabilisation (steering angle of up to 2.5° in the same direction as the front axle)
 - Increase in driving dynamics (steering angle of up to 3° in the same direction as or opposite direction to the front axle depending on driving situation), active from approx. 60 km/h, controlled by the dynamic handling control system integrated into the ESP®
- Snow chain mode for adapted actuation of the rear axle steering in wintry conditions
- Representation of the rear axle steering in the central display
 - Display of the current rear axle steering angle
 - Overlay of current track circle when parking
- Rear axle steered via an electromechanical central actuator with trapezoidal screw thread



10° Rear-Axle Steering

Included with Executive Line only (DX2)

Experience the claim to leadership of Mercedes-Benz even when parking: this rear axle steering adjusts the steering angle by up to 10° and reduces the turning circle by almost two metres. As such your S-Class almost handles like a compact car when manoeuvring. At higher speeds, on the other hand, you drive with the effortless superiority afforded by the long wheelbase.

- Speed-dependent steering strategies:
 - Parking with a more reduced turning circle (steering angle of up to 10° in the opposite direction to the front axle) by almost two metres
 - City manoeuvrability (steering angle of up to 4.5° in the opposite direction to the front axle), active up to approx. 60 km/h
 - Top speed stabilisation (steering angle of up to 2.5° in the same direction as the front axle)
 - Increase in driving dynamics (steering angle of up to 3° in the same direction as or opposite direction to the front axle depending on driving situation), active from approx. 60 km/h, controlled by the dynamic handling control system integrated into the ESP®
- Snow chain mode for adjusted actuation of the rear axle steering in wintry conditions with a maximum rear axle steering angle of 4.5°
- Showcasing of the rear axle steering in the central display
 - Display of the current rear axle steering angle
 - Overlay of current track circle when parking
- Rear axle steered via an electromechanical central actuator with trapezoidal screw thread



Night Package DC1

Only Available with AMG Line (DX1)

With the Night Package your sporty exterior looks even more expressive. As part of this numerous elements are retained in high-gloss black. Depending on the paint finish, this creates contrasts or flowing transitions. In each case your vehicle gains individuality.

Components

- Front Splitter and Fins in the Air Intakes in High-Gloss Black
- Flared Side Sill Panels with Insert in High-Gloss Black
- Trim Element on the Rear Apron in High-Gloss Black
- Exterior Mirror Housings in High-Gloss Black



Gallery

All

Exterior

Interior

