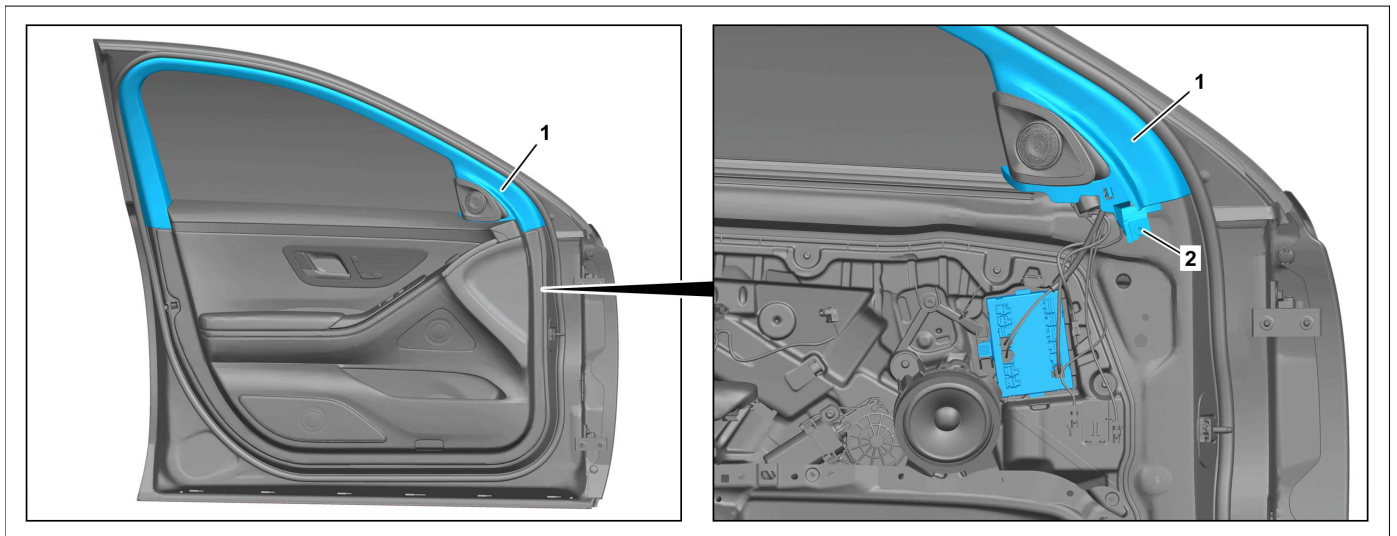


Model 223
 except code Z07 (B7 armoring on special protection version)



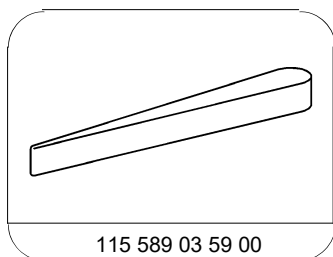
P72.10-A058-78

Shown with code 811 (High-end sound system)

1 Window frame trim

2 Mounting clip

Notice	Information on preventing damage to electronic components due to electrostatic discharge		AH54.00-P-0001-01A
	Remove/install		
1	Remove front door trim.		AR72.10-P-6575S
2	Disconnect electrical connectors of tweeter.	Number of electrical connectors can vary depending on equipment installed.	
3	Disconnect electrical connector at light-emitting diode.		
4	Unclip window frame lining (1) and remove.	Long wedge	*115589035900
	Check		
5	Check retaining clip (2) of window frame lining (1) for damage.	If there is a problem: ↓ Replace retaining clip (2).	
6	Install in the reverse order.		



115 589 03 59 00

Long wedge