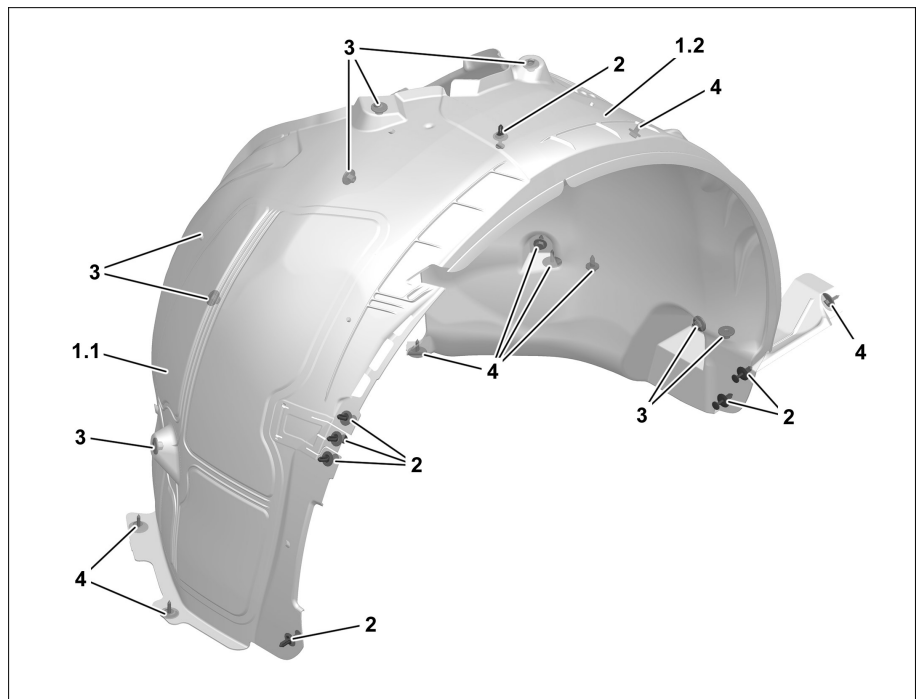


Model 223.0/1/9

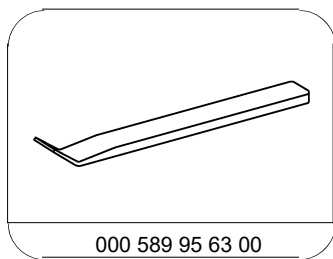
Shown on the left side of vehicle

- 1.1 Fender liner front section
- 1.2 Fender liner rear section
- 2 Expansion rivet
- 3 Nuts
- 4 Bolts



P88.10-A008-06

| ☒ ☒ | Remove/install | | |
|-----|---|---|-----------------|
| 1 | Raise vehicle. | | AR00.60-P-1006A |
| 2 | Remove screws (4). | | |
| 3 | Remove expansion rivets (2). | ⓘ Number of expansion rivets (2) can vary depending on equipment installed. ☑ Dismantling tool | *000589956300 |
| 4 | Remove nuts (3). | ⓘ Number of nuts (3) can vary depending on equipment installed. | |
| 5 | Remove fender liner from section (1.1) and fender liner rear section (1.2). | | |
| 6 | Install in the reverse order. | | |



000 589 95 63 00

Dismantling tool