

- Parts list -

Mode	BM mode	BM overview	S 55 AMG KOMPRESSOR
VIN/mod. des.	WDB2201741A447319	Catalog	66T
VIN	WDBNG74J15A447319	Group	32
Assortment class	PC		SPRINGS,SUSPENSION AND HYDRAULICS
Market		Sub-group	290 LINE ARRANGEMENT OF HYDRAULIC SYSTEM

Copyright 2019-06-26 Daimler AG

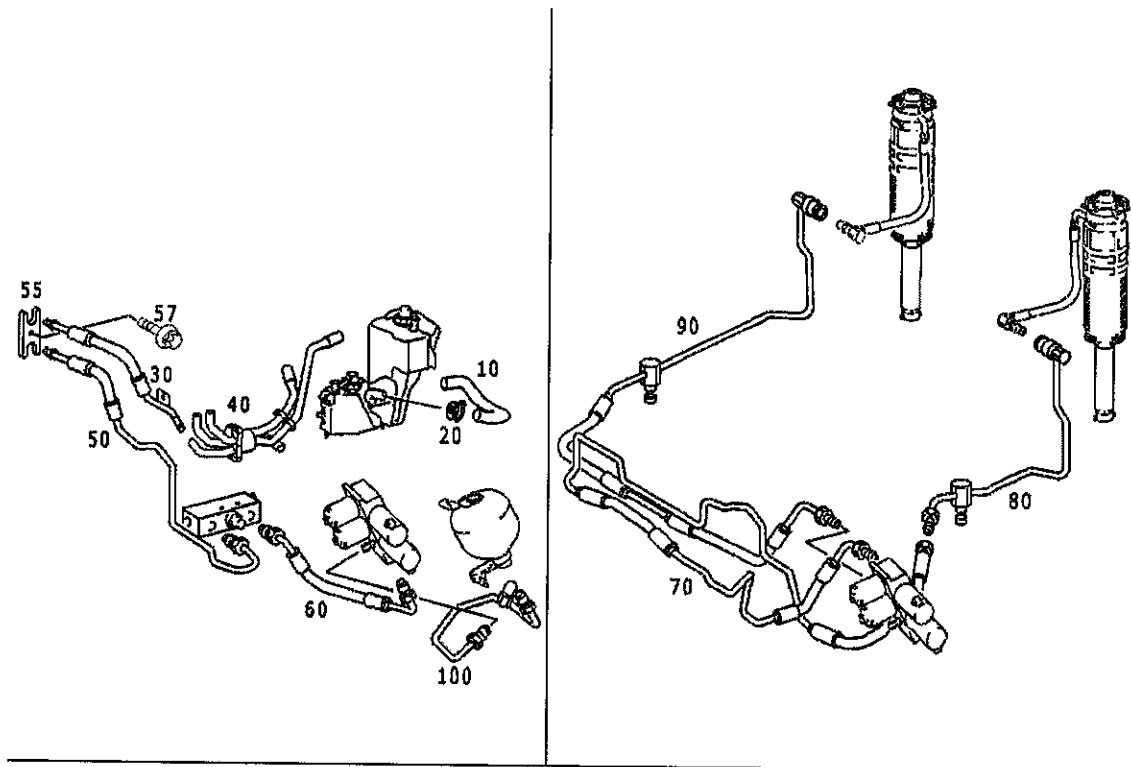


Image ID: drawing_B32290000022

Item	Part number	Designation/additional information	Qty
10	A 220 997 48 82	HOSE SUCTION HOSE TO OIL TANK Code: M113+487;	1
20	A 000 995 30 05	SPRING BRACKET CLAMP SUCTION HOSE TO OIL TANK; 26 MM Code: 487;	2
30	A 220 997 14 52	HOSE FROM OIL COOLER TO OIL TANK Code: 487+-(M275+M60);	1

Item	Part number	Designation/additional information	Qty
40	A 220 997 19 52	HOSE FROM RADIATOR TO PUMP Code: (M112/M113/M137/M275/M628)+487;	1
50	A 220 997 84 82	HOSE OIL COOLER TO TEMPERATURE SENSOR DISTRIBUTOR Code: 487+-(M275+M60);	1
55	A 220 327 03 42	PLATE RETURN LINE TO ABS RADIATOR Code: 487;	1
57	N 910143 006001	HEXALOBULAR BOLT RETURN LINE TO ABS RADIATOR; M6X16 Code: 487;	1
60	A 220 997 26 82	HOSE TEMPERATURE SENSOR DISTRIBUTOR TO VALVE BLOCK Code: 487;	1
60	A 220 997 79 82	HOSE TEMPERATURE SENSOR DISTRIBUTOR TO VALVE BLOCK Code: 487;	1
70	A 220 997 83 82	HOSE VALVE BLOCK FB1 "YELLOW" TO SEPARATIONPOINT SUSPENSION STRUT LEFT Code: 487;	1
80	A 220 320 13 72	LINE POINT OF CONNECTION WITH DAMPER STRUT. LEFT Code: 487;	1
90	A 220 997 87 82	HOSE VALVE BLOCK FB2 "RED" TO SUSPENSION STRUT RIGHT Code: 487;	1
100	A 220 320 05 72	LINE VALVE BLOCK CONNECTION "SP" TO PRESSURE RESERVOIR Code: 487;	1

Copyright 2019-06-26 Daimler AG