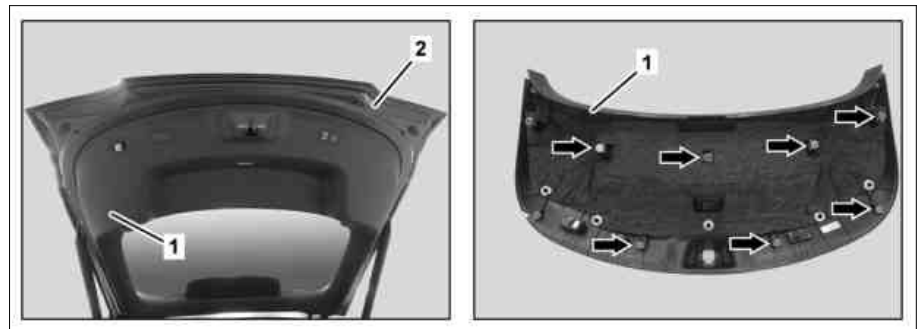


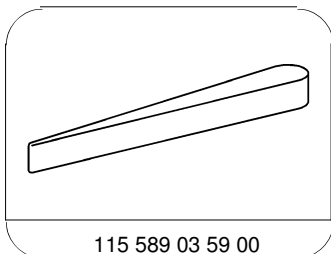
Model 290

- 1 Bottom liftgate paneling
2 Liftgate



P72.20-3599-04

Warning	Risk of injury caused by fingers being jammed or pinched when removing, installing or aligning hoods, doors, trunk lid/rear-end door or sliding roof.	No parts of the body or limbs should be within the operating area when the components are moving.	AS00.00-Z-0011-01A
	Information on preventing damage to electronic components due to electrostatic discharge		AH54.00-P-0001-01A
	Notes on HANDS-FREE ACCESS		AH80.61-P-0001-01A
	Remove/install		
1	Switch off ignition and store transmitter key outside of transmission range (min. 2 m).		
2	Unclip the lower liftgate trim (1) at the retaining clips (arrow) and remove it until all electrical connectors are accessible.	Long wedge	*115589035900
3	Disconnect the electrical connectors on the lower liftgate trim (1) and remove the lower liftgate trim (1).	The number of electrical connectors may vary depending on the equipment.	
4	Install in the reverse order.		



115 589 03 59 00

Long wedge