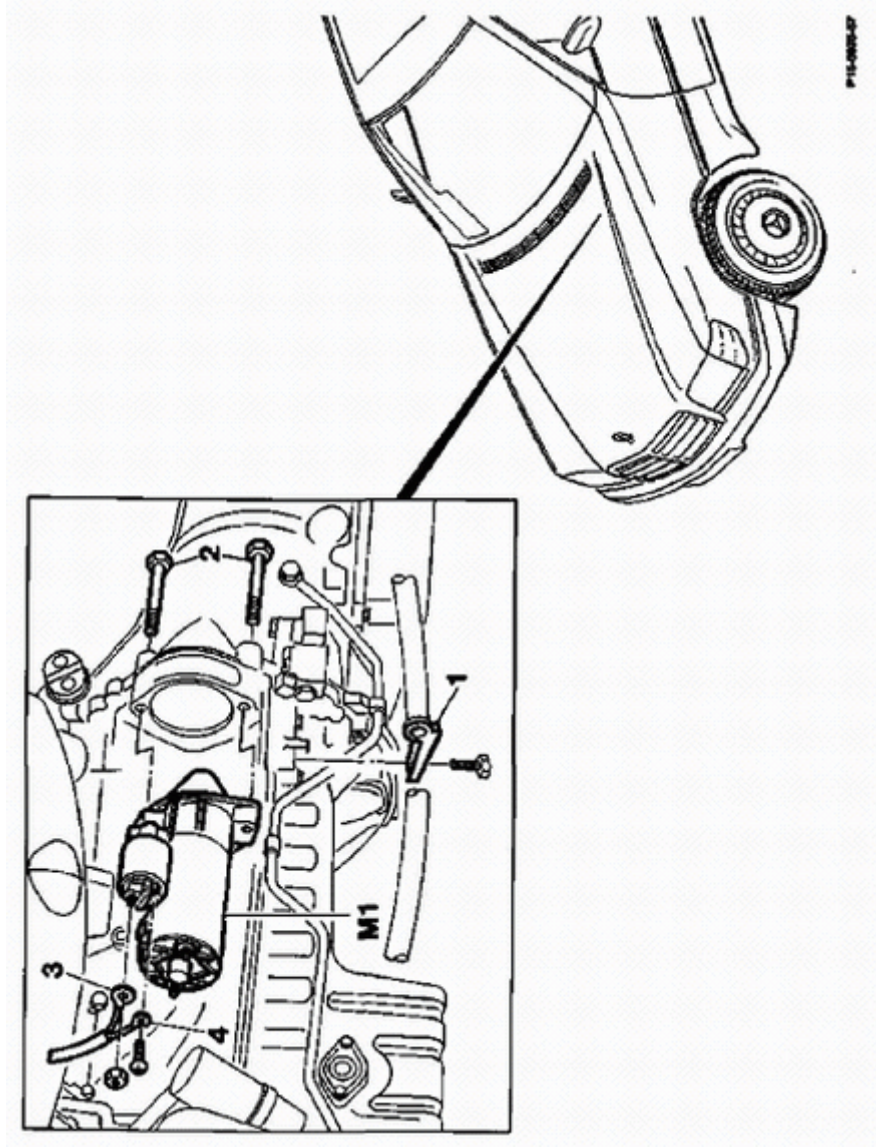


15-7100	Removing and installing starter
----------------	--

Operation No. of operation texts and operation values or standard texts and flat rates

- A. Engine 104**
- Preliminary work:
- Rear engine compartment panel removed (61-0105).



P15-00000000
P15-5025-57

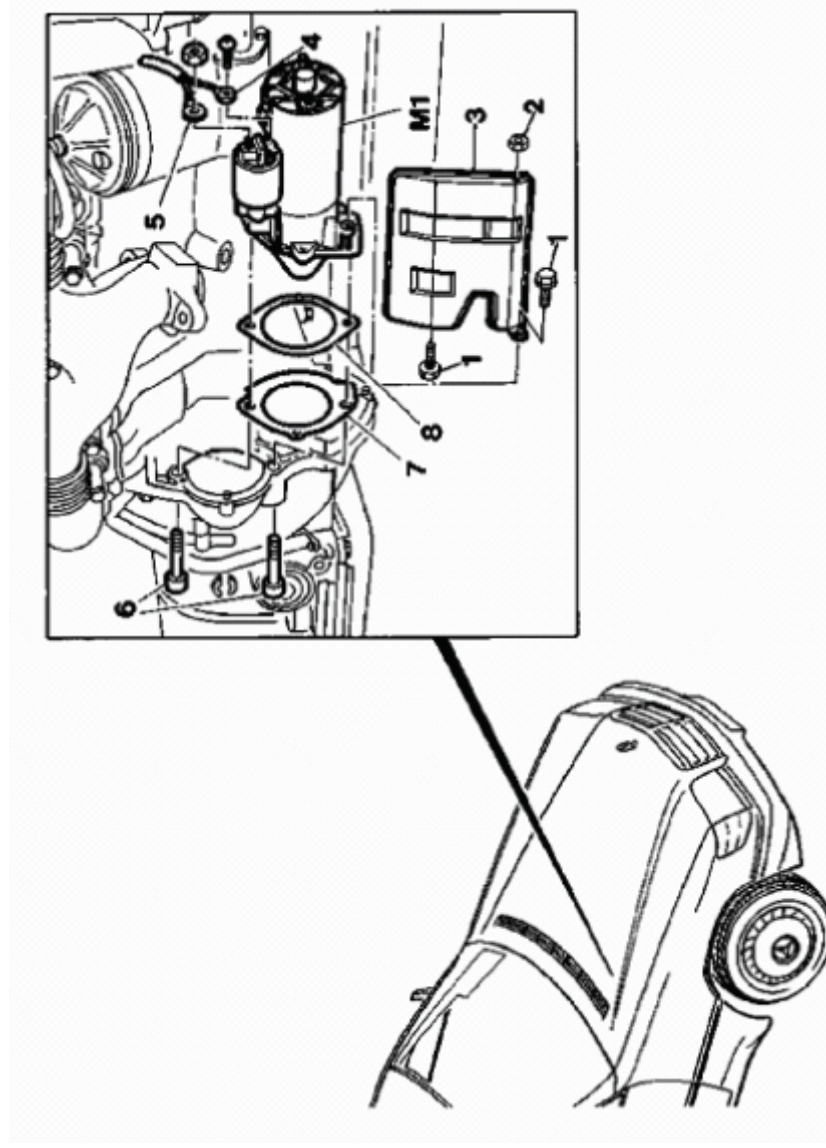
Ground cable at battery Hose holder (1) with ASD/ASR. Bolts (2)	disconnect, connect, unscrew, screw on. unscrew, screw on.
---	--

Electric wiring (3 and 4) at starter (M1)
Starter (M1)

disconnect, connect; withdraw starter (M1) as far as possible for this purpose.
remove downward, insert from below.

B. Engine 119

Preliminary work:
Rear engine compartment panel removed (61-0105).



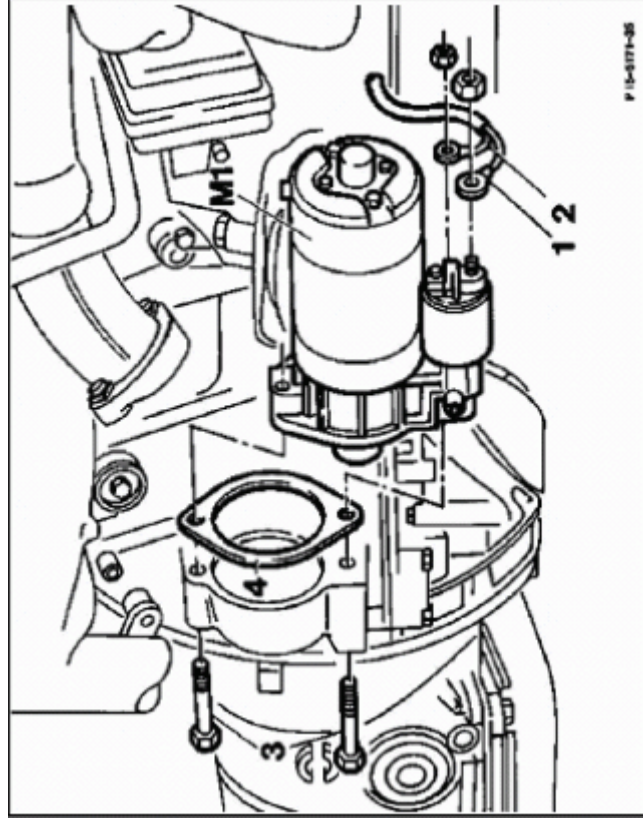
P15-5024-57

Ground cable at battery
Bolts (1)
Nut (2)
Shield (3), if present
Electric wiring (4 and 5) at starter (M1)
Screws (6)

disconnect, connect.
unscrew, screw in.
unscrew, screw on.
remove, install.
disconnect, connect.
unscrew

Starter (M1)
take out from below, insert from below; when doing this, take off existing spacer disc(s) (8) and splash guard (7), if necessary, and fit on.

C. Engine 120
Preliminary work:
Rear engine compartment panel removed (61-0105).



P15-5171-35

Ground cable at battery
Steering
Electric wiring (1 and 2) at starter (M1)
Bolts (3)
Starter (M1)
disconnect, connect.
Turn to full left lock.
disconnect, connect.
unscrew, screw in.
take out from below, insert from below; when doing this, take off existing spacer disc(s) (4), if necessary, and fit on.

D. Engine 603
Preliminary work:
Front and center noise encapsulation removed (94-5310 and 94-5355).



P15-5172-35

Ground cable at battery Electric cables (1 and 2) at starter (M1) Bolts (3) Ground cable (4) Starter (M1)	disconnect, connect. disconnect, connect. unscrew, screw in. pull off, fit on. take out, insert.
---	--