

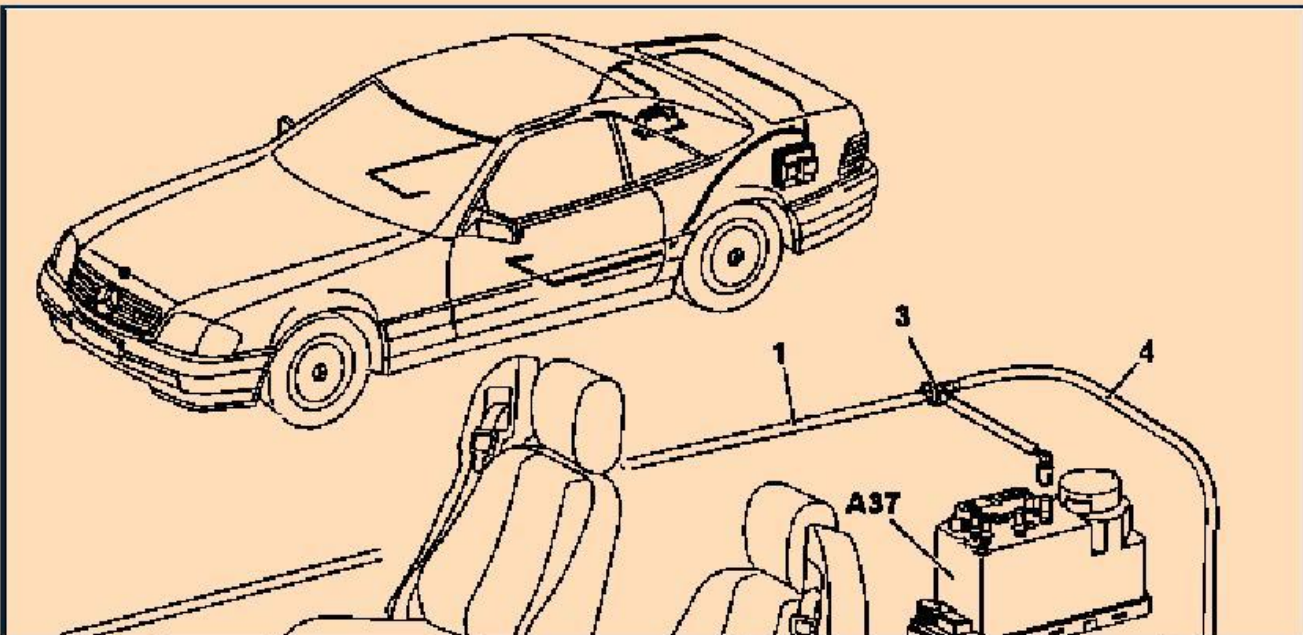
## Werkstattinformationssystem Display Document

Sales designation: **SL 500**    Vehicle ident. number: **WDB129068\***    Engine number: **113.961**    Automatic transmission: **722624**    Gr.:    Entrv: Mod.Y.: Op. no.:

**GF91.25-P-0001-02A**    **Multi-contour seat (MCS), location of pneumatic components**    Full-size view    Validity **OFF**    Page: **2 / 3**

GF91.25-P-0001-02A	Multi-contour seat (MCS), location of pneumatic components	Model 129 as of 06/97	<b>GF</b>
--------------------	--	-----------------------	-----------

- A37 PSE control module (combined)
- 1 Pneumatic line, front passenger's side multi-contour seat
- 2 Pneumatic line, driver's side multi-contour seat
- 3 Distributor, pneumatic line, multi-contour seat
- 4 Pneumatic line, supply reservoir
- 5 Pneumatic connection, seat
- 6 Supply reservoir



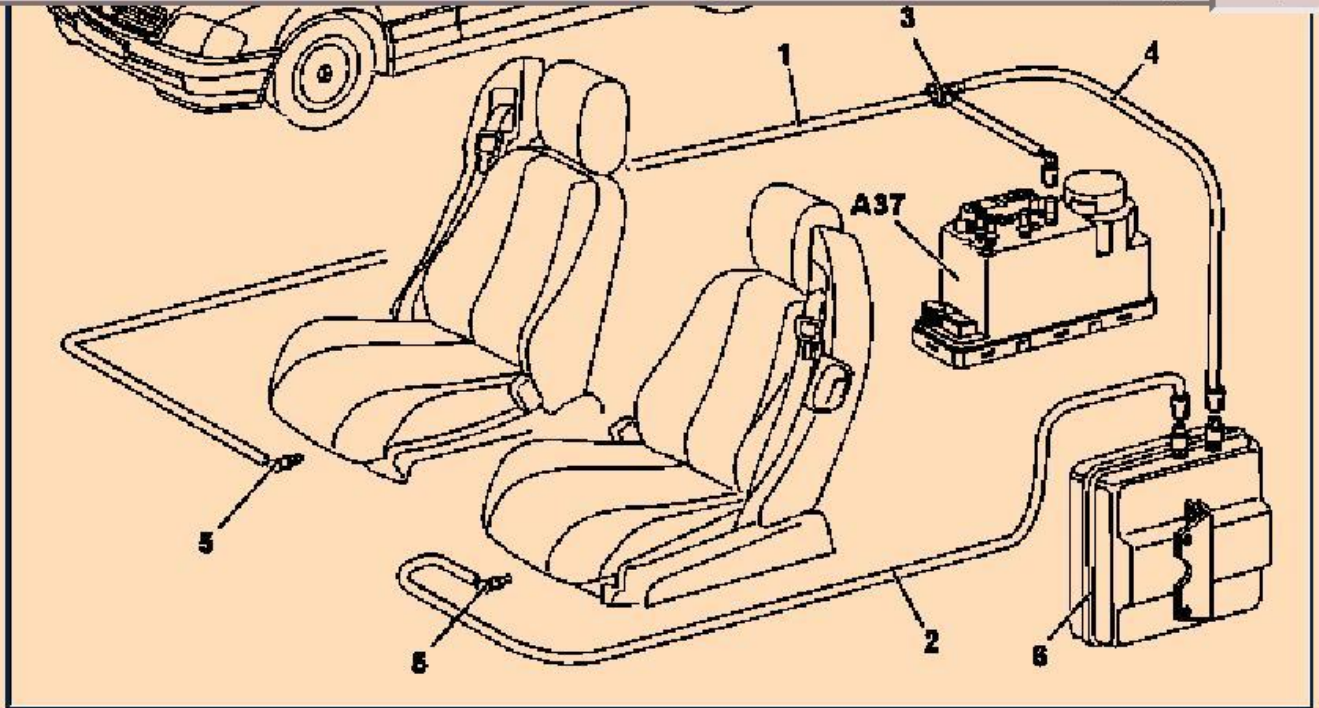
Add. Functions	Document Functions	What is new?	Document: 1 / 1	Level: 4	Menu	Help	Previous Screen
----------------	--------------------	--------------	-----------------	----------	------	------	-----------------

# Werkstattinformationssystem Display Document

Sales designation: SL 500    Vehicle ident. number: WDB129068\*    Engine number: 113.961    Automatic transmission: 722624    Gr.:    Entrv. Mod.Y.: Op. no.:

GF91.25-P-0001-02A    Multi-contour seat (MCS), location of pneumatic components    Full-size view    Validity OFF    Page: 3 / 3

- 5 Pneumatic connection, seat
- 6 Supply reservoir



P80.20-0431-06