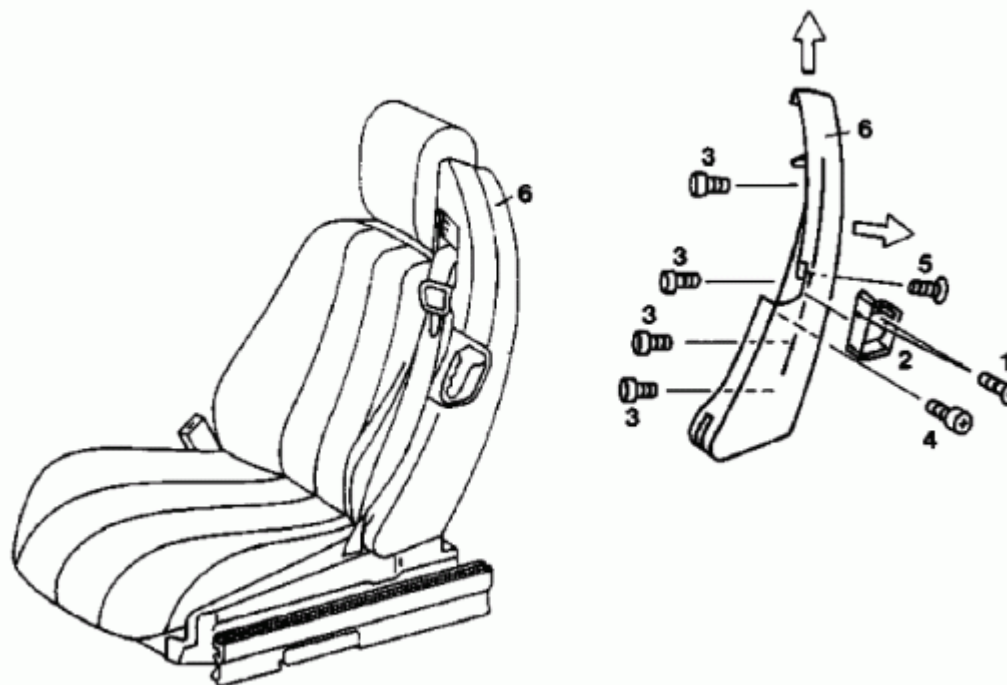


91-060

## Removing and installing covering on side of backrest frame

Front seat cushion and backrest cushion removed ([91-055](#)).

Operation no. of operation texts and work units or standard texts and flat rates:

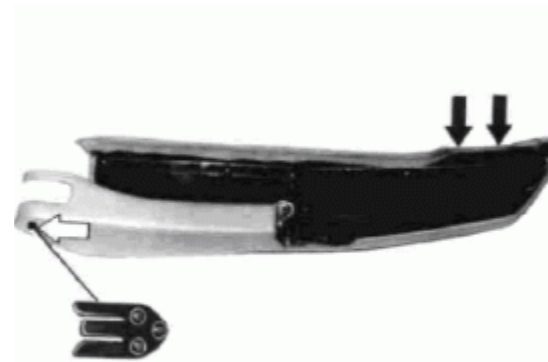


P91-0035-57

Screws (1) (2 each)	unscrew.
Handle recess (2)	remove.
Screws (3) (4 each)	unscrew and remove.
Screws (4 and 5)	unscrew.
Covering (6)	remove toward rear while pulling upward. Observe installation note.

**Installation note**

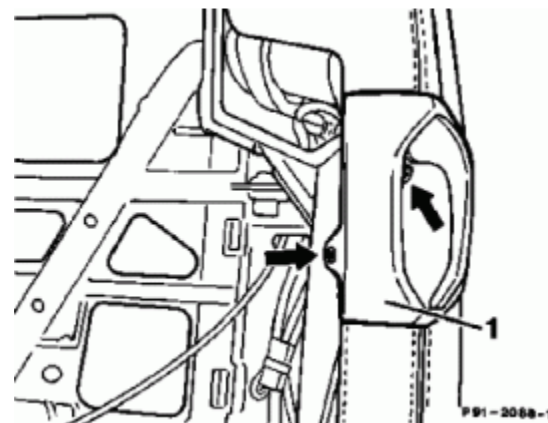
When installing, insert covering (6) with insert clip at bottom on backrest bearing bolt, then insert at top into cover on head restraint brace.



P91-2024-13  
P91-2024-13

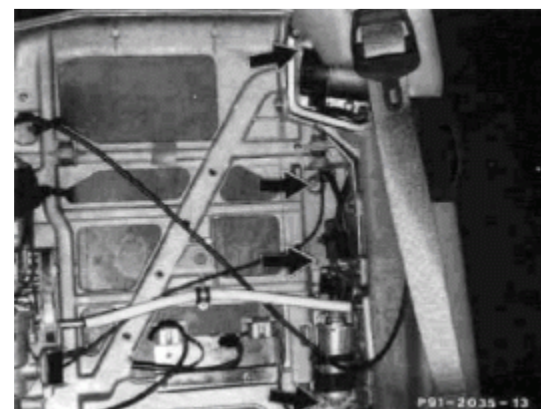
**Removal, installation**

- 1 Unscrew screws on handle recess (2 each) and remove handle recess.



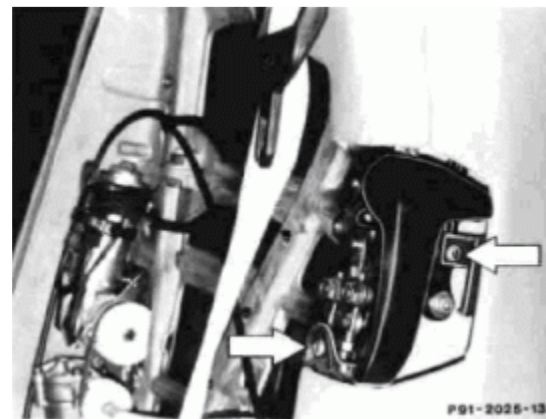
P91-2088-13  
P91-2088-13

- 2 Unscrew screws on backrest frame (4 each) and remove.



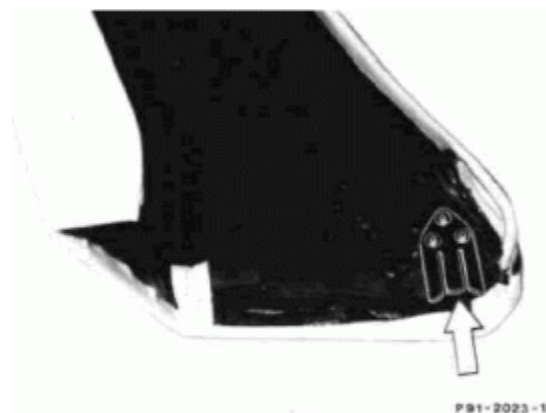
P91-2035-13  
P91-2035-13

- 3 Unscrew screws in area of backrest lock (2 each).
- 4 Remove covering from backrest frame toward rear and upward.



P91-2025-13

- 5 Insert covering with insert clip at bottom on backrest bearing bolts, then at top into cover on head restraint brace (arrow).
- 6 Continue to reinstall in opposite order.



P91-2023-13