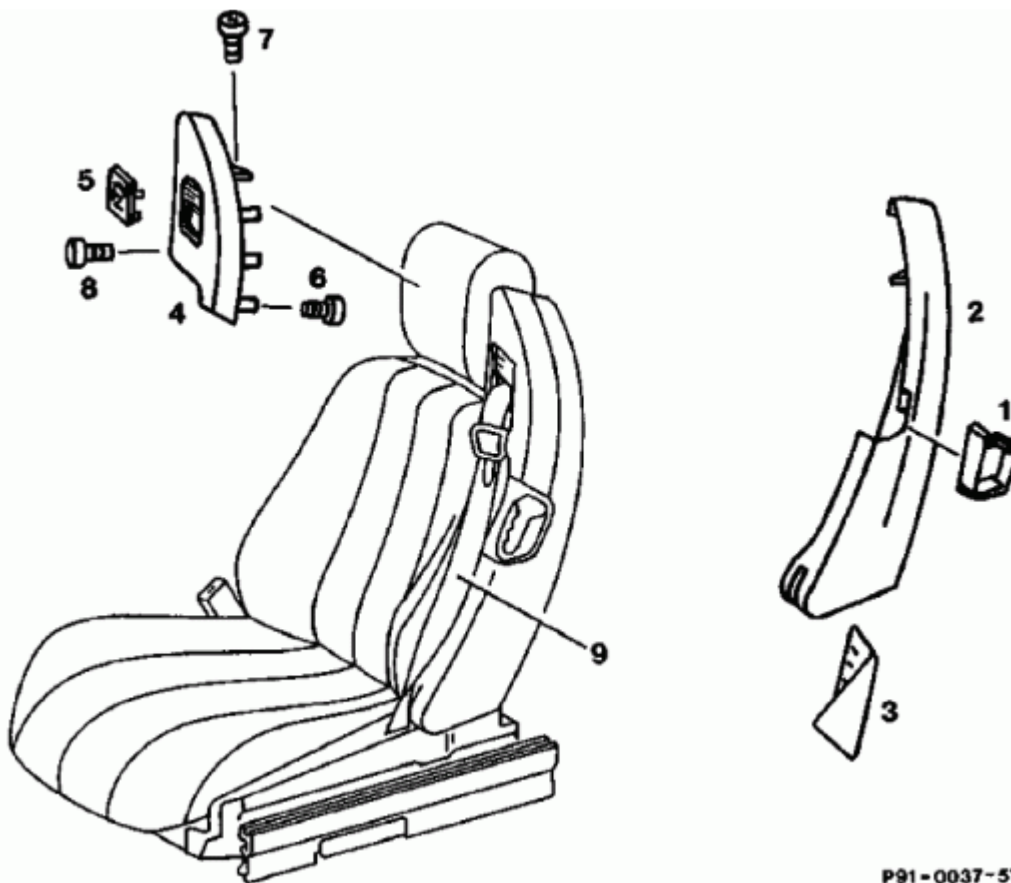


91-075

Removing and installing cover on upper belt guide fitting

Front seat cushion and backrest cushion removed (91-055).
 Side covering on backrest frame removed (91-060).

Operation no. of operation texts and work units or standard texts
 and flat rates:



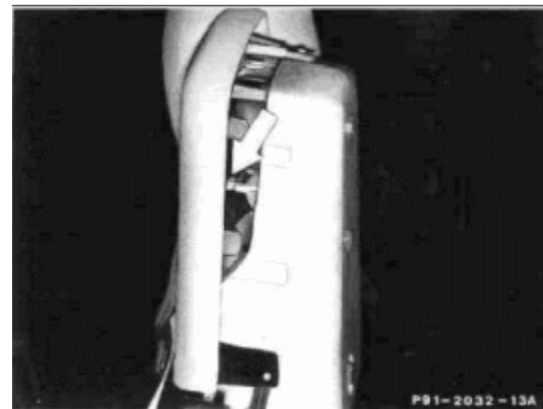
P91-0037-57

P91-0037-57

Screws (6, 7 and 8)	unscrew.
Covering (4)	remove toward front.
Cover (5)	press out and thread belt (9) out at separating point for cover (5).
Belt end fitting	guide through louver.
Covering (4)	remove.
Installation note	observe.

Installation note

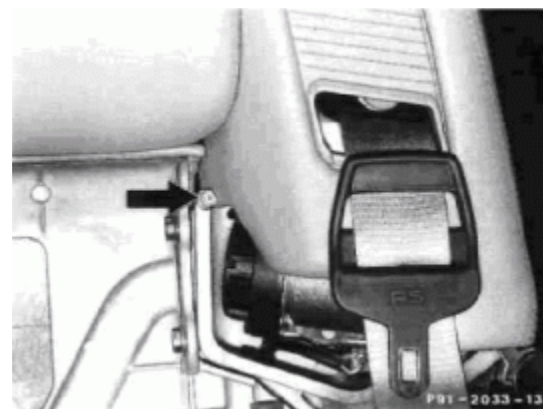
Install covering so that screw for upper belt guide fitting with drive pin is positioned in mounting hole on louver (arrow).



P91-2032-13A

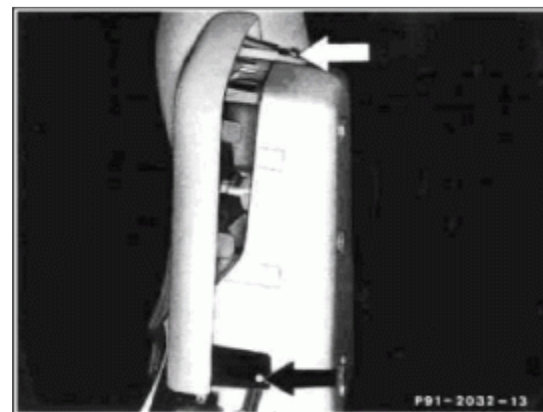
Removal, installation

1 Unscrew screw (arrow).



P91-2033-13

2 Unscrew screw (arrows) and remove covering toward front.

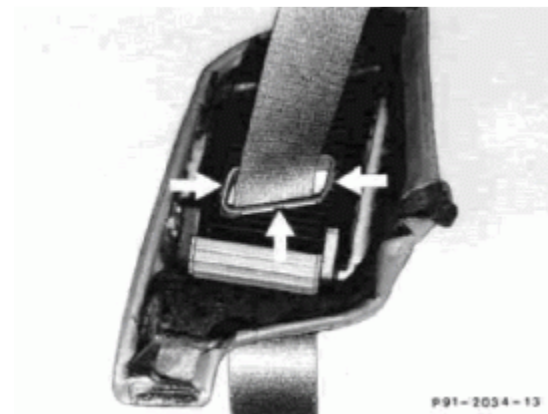


P91-2032-13

3 Press cover on louver out from rear and thread belt out through separating point for cover.

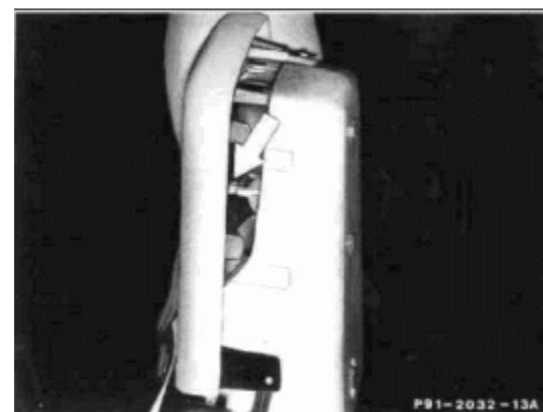
Repair information

4 Pull belt out of covering and lay covering to side.



P91-2034-13

5 During installation insert drive pin on screw for upper belt guide fitting into mounting hole in louver



P91-2032-13A