

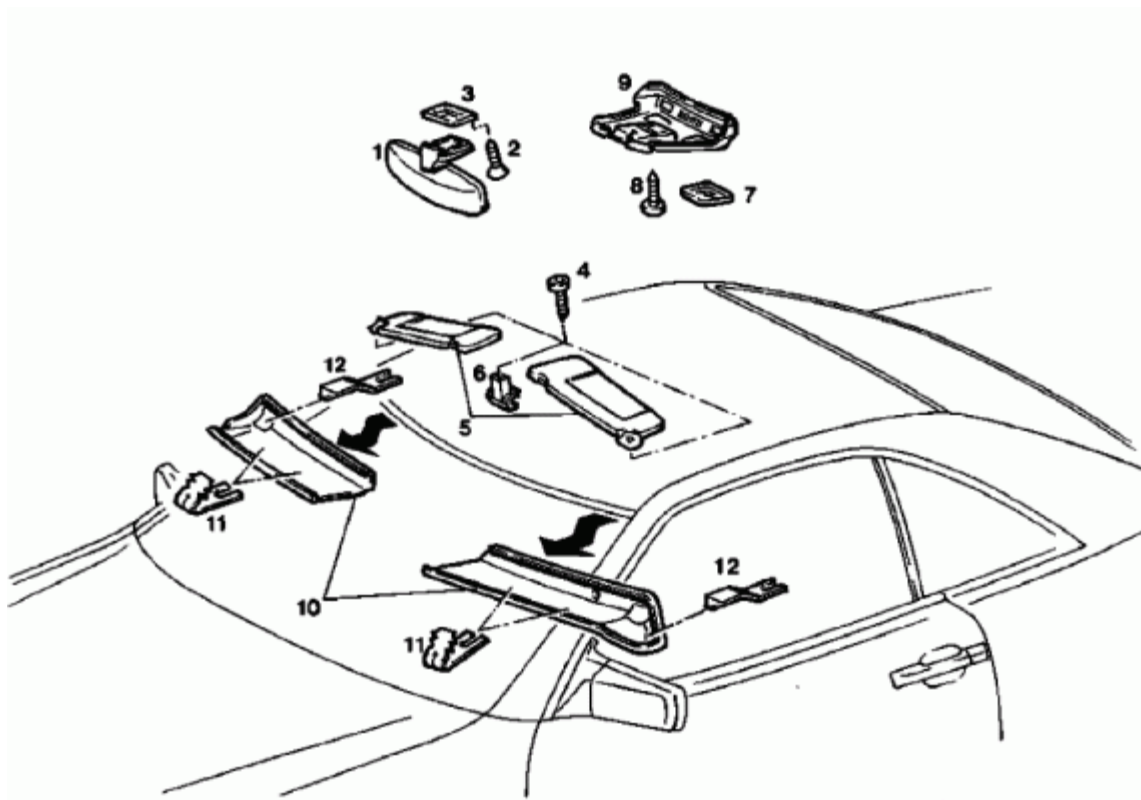
68-425

Removal and installation of window molding at top of windshield

Preliminary jobs:

Coupe roof removed (operating instructions).

Operation no. of operation texts and work units or standard texts and flat rates:



P68-0027-57

P68-0027-57

Inside rear view mirror (1)	press off downward (disconnect electrical plug connector for memory, if present).
Screws (2, 3 each)	screw out.
Retaining plate (3)	remove.
Screws (4) 6 each	screw out.
Sun visors (5) and mounts (6, 2 each)	remove.
Light lenses (7, 2 each)	remove.
Screws (8, 2 each)	screw out.
Roof control unit (9)	disconnect from cross member (do not disconnect electrical plug connectors).
Window molding (10)	unhook in direction of arrow together with retaining clips (11), then unhook retaining clips (12). Observe installation note.

### Repair information

Press light leuses upward on inside and remove (arrow).

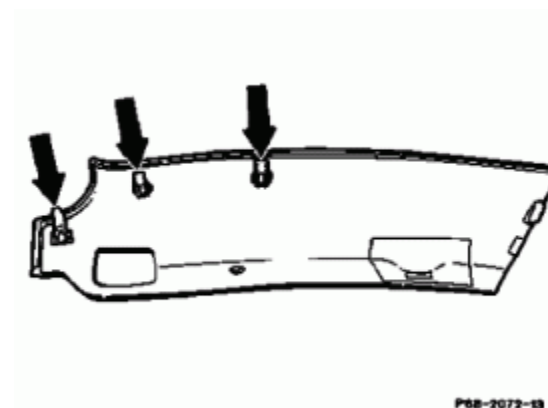


P68-2070-13

### Installation note

Press retaining clips into window molding before installation.

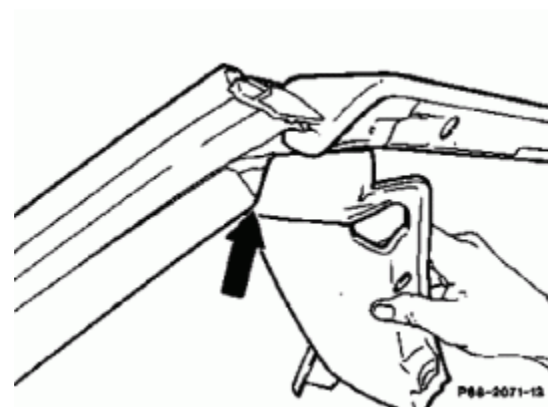
Reveal molding with retaining clips (arrows).



P68-2072-13

First install window molding at side window molding.

Install in reverse order



P68-2071-13