



Installation instructions

Orthopedic driver's/passenger seat backrest

91.2

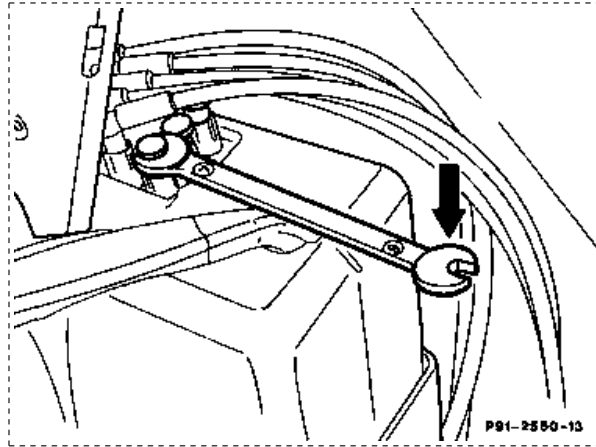
Model 129

Scope of work

- 1 Put up roll-over bar.
- 2 Remove cover on left or right door entrance as required.
- 3 Remove driver's or passenger seat (91-100).
- 4 Remove luggage shelf or rear bench seat (68-472) or (91-200).
- 5 Remove left or right rear side panelling (68-455).
- 6 Fold carpeting on left or right back toward center of vehicle.
- 7 Open cable duct in rear side section on left or right and cable duct on floor at left or right.
- 8 Remove panelling in trunk on left and right.
- 9 Remove panelling on rear center section.
- 10 Remove supply pump (80-270).

Vehicles with interior central locking system

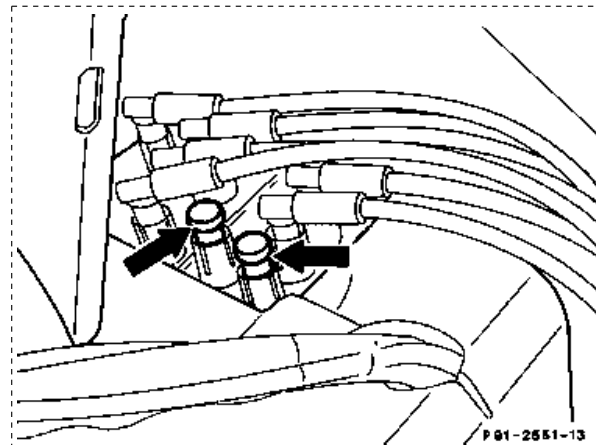
- 11 On vehicles with orthopedic driver's backrest pry two plugs out of distributor connector designation **PÜ**; on vehicles with orthopedic driver's and passenger backrests pry out three plugs.



Vehicles without interior central locking system

- 12 Replace supply pump (**M14/1**) with connections **ZV** and **PU** with supply pump (**M14/2**) with additional connections **IZV** and **PÜ**.

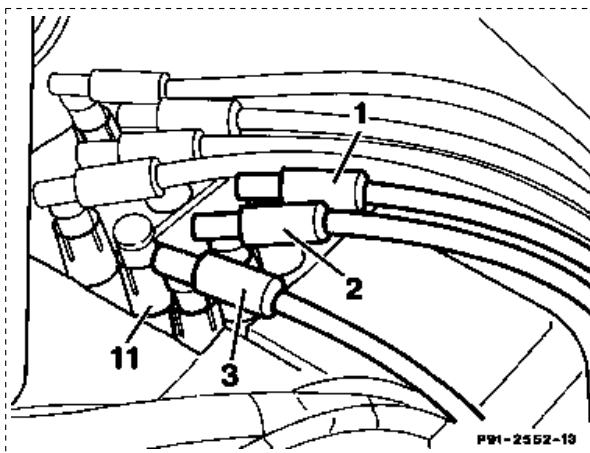
- 13 On vehicles with orthopedic driver's and passenger backrest plug connection designated **IZV** on distribution connector with plugs (arrows); on vehicles with orthopedic driver's backrest only plug connection designated **PÜ** in addition.



All vehicles

14 Connect pneumatic line (item 1, 2900 mm long) to supply reservoir and pneumatic line (item 2, 4800 mm long) for orthopedic driver's backrest and, where applicable, pneumatic line (item 3, 2670 mm long) for orthopedic passenger backrest to distribution connector (11) designated **PÜ**.

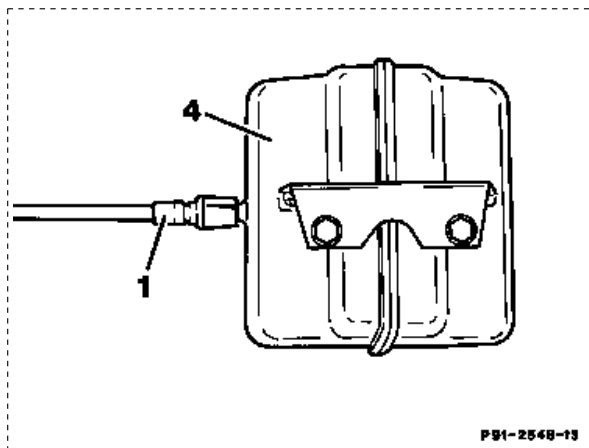
- 1 Pneumatic line, supply pump - supply reservoir
- 2 Pneumatic line, supply pump - orthopedic driver's backrest
- 3 Pneumatic line, supply pump - orthopedic passenger backrest
- 11 Distribution connector



15 Install supply pump (**M14/2**).

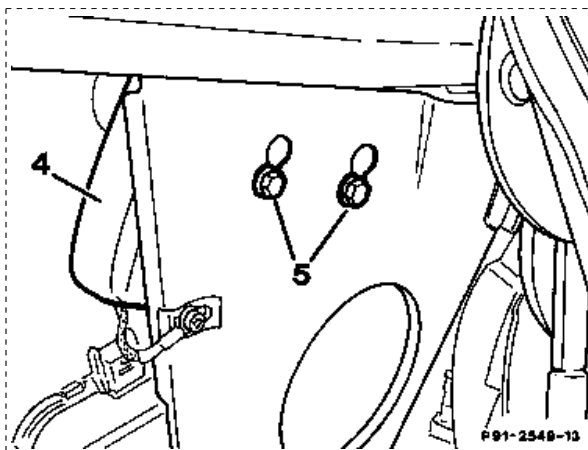
16 Connect pneumatic line (item 1, 2900 mm long) to supply reservoir (4).

- 1 Pneumatic line, 2900 mm long
- 4 Supply reservoir



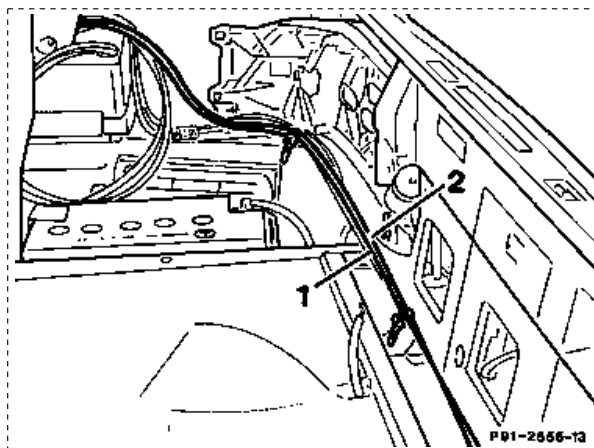
17 Fasten supply reservoir (4) to brace with two sheet metal screws (5).

- 4 Supply reservoir
- 5 Sheet metal screws



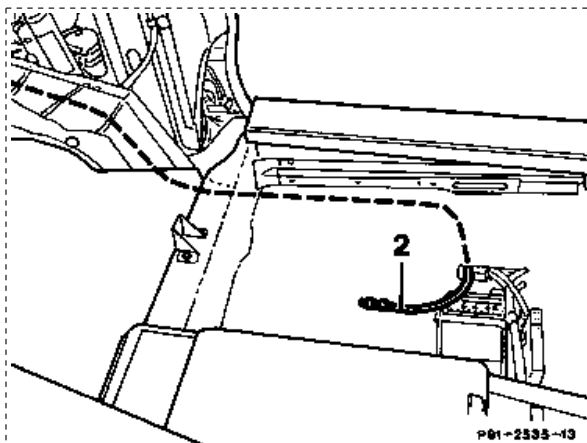
18 Lay pneumatic line (item 2, 4800 mm long) for orthopedic driver's backrest through left cutout in rear wall into passenger compartment; where applicable lay pneumatic line (item 3, 2670 mm long) for orthopedic passenger back-rest through right cutout in rear wall into passenger compartment.

19 Fasten pneumatic lines (item 1, 2900 mm long) and (item 2, 4800 mm long) to rear center panel with present line straps.



20 Lay pneumatic line (item 2, 4800 mm long) for orthopedic driver's backrest in line duct on left rear side section and left floor; where applicable lay pneumatic line (2670 mm long) for orthopedic passenger backrest in line duct on right rear side section and right floor.

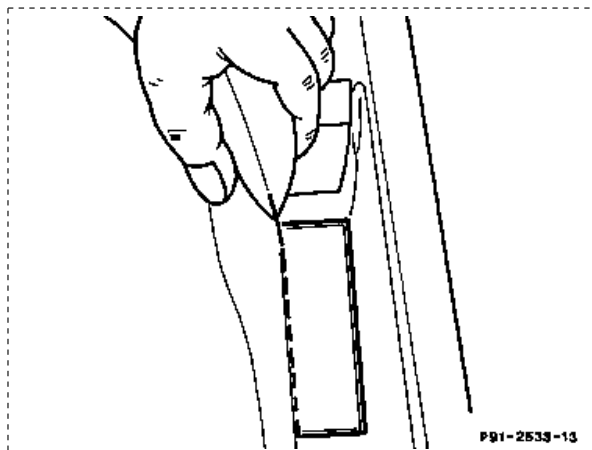
21 Position pneumatic line (item 2, 4800 mm long) through opening in carpeting.



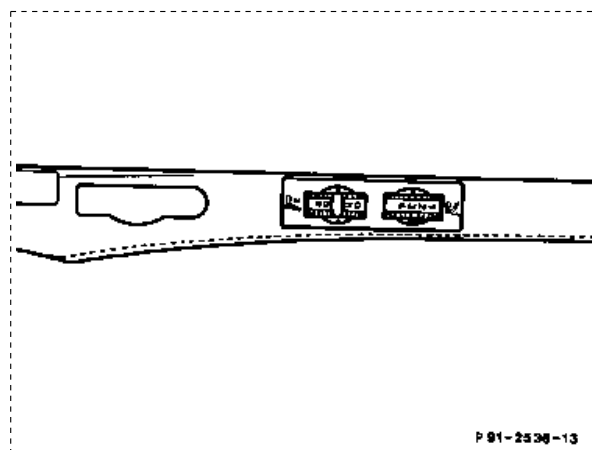
2 Pneumatic line 4800 mm long

- 22 Close all line ducts.
- 23 Fold carpeting back.
- 24 Install rear side panelling.
- 25 Install luggage shelf or rear bench seats.
- 26 Install panelling on rear center piece.
- 27 Install panelling in trunk on left and right and panelling on rear center piece.
- 28 Remove backrest padding (91-055).
- 29 Remove panelling on driver's seat cushion frame on left, where applicable remove panelling on passenger seat cushion frame on right (91-070).

- 30 Cut out opening along perforated lines.

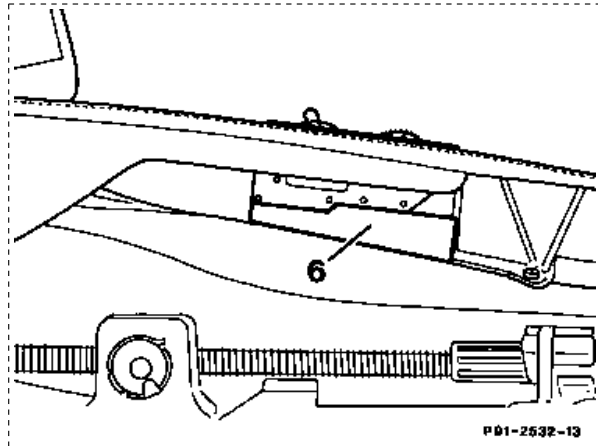


- 31 Insert control valve.

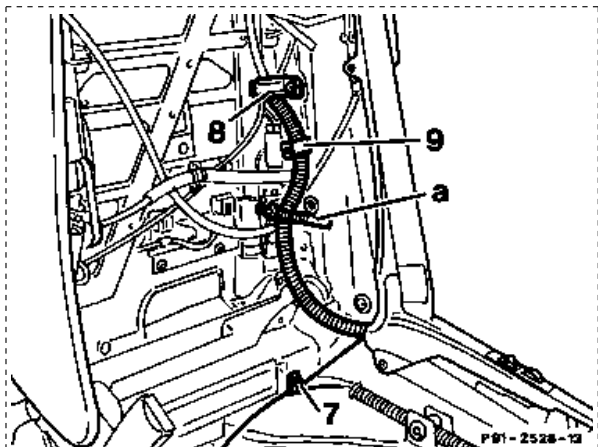


- 32 Connect pneumatic line harness to control valve.
- 33 Install covering on seat cushion frame.

- 34 Glue support (6) under control valve with double-sided adhesive tape.

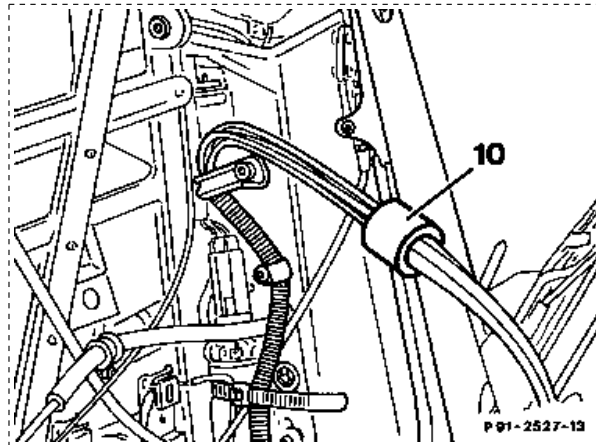


- 35 Fasten pneumatic line harness with strap (a), clamps (7, 9) and mount (8) to backrest frame.



- 36 Install foam rubber protector (10) over connector for pneumatic line harness.
- 37 Connect pneumatic line harness coming from control valve to pneumatic line harness on orthopedic backrest.

38 Install foam rubber protector (10) over plug connector.



39 Install new orthopedic backrest.

40 Install driver's and/or passenger seat;
connect pneumatic line so that connection
line is not pulled off or kinked when seat is
adjusted.

41 Install cover on left and/or right door
entrance.

42 Perform function check.

How-to-order note

The parts required for installation are listed in the following parts documents:

| | | | |
|--------------------------------|----|-------------|-----------|
| Scope of delivery and backrest | ↑) | for textile | SA 56.722 |
| | | for leather | SA 56.725 |

↑) Indicate color of interior on order under all circumstances.

Available from: Plant 06 (ZVL Germersheim)