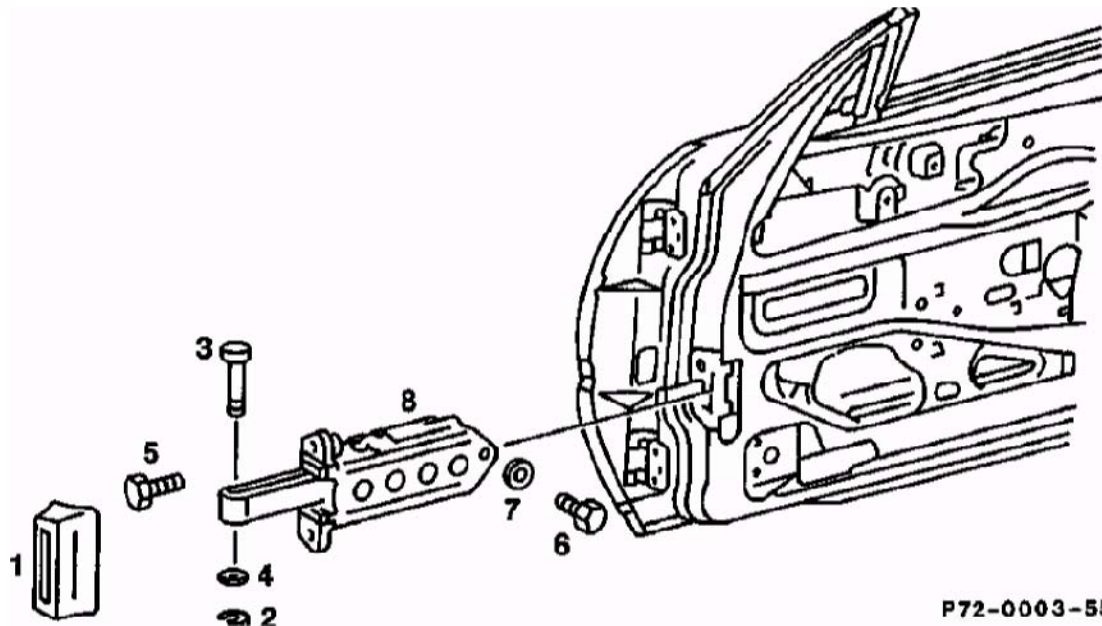


## 72-210 Removal and installation of door holder

Preliminary jobs:  
Door liner removed ([72-100](#))

Operation number of the operation texts and work units or standard texts and flat rates respectively



P72-0003-55

P72-0003-55

Air duct and door loudspeaker  
Door foil in front area  
Seal (1) over bolt  
Lock (2) on bolt  
Bolt (3)

Plastic washer (4)  
Screws (5 and 6) on inside door panel (3 each)

Door holder (8)

Install  
Door foil

remove.  
pull off.  
pull off.  
remove.  
knock out with special tool  
part No. 124 589 00 61 00, grease bolt before  
installation. Be careful not to damage paint.  
remove.  
remove, when installing tighten front screws first  
(10 Nm).  
remove through installation opening in inside  
door panel, do not damage door, when installing  
grease ball tracks with MB sliding paste  
part No. 001 989 14 51 and brush.  
in reverse order.  
glue on, replace damaged door foils.

### Special tools



001 589 00 61 00

72