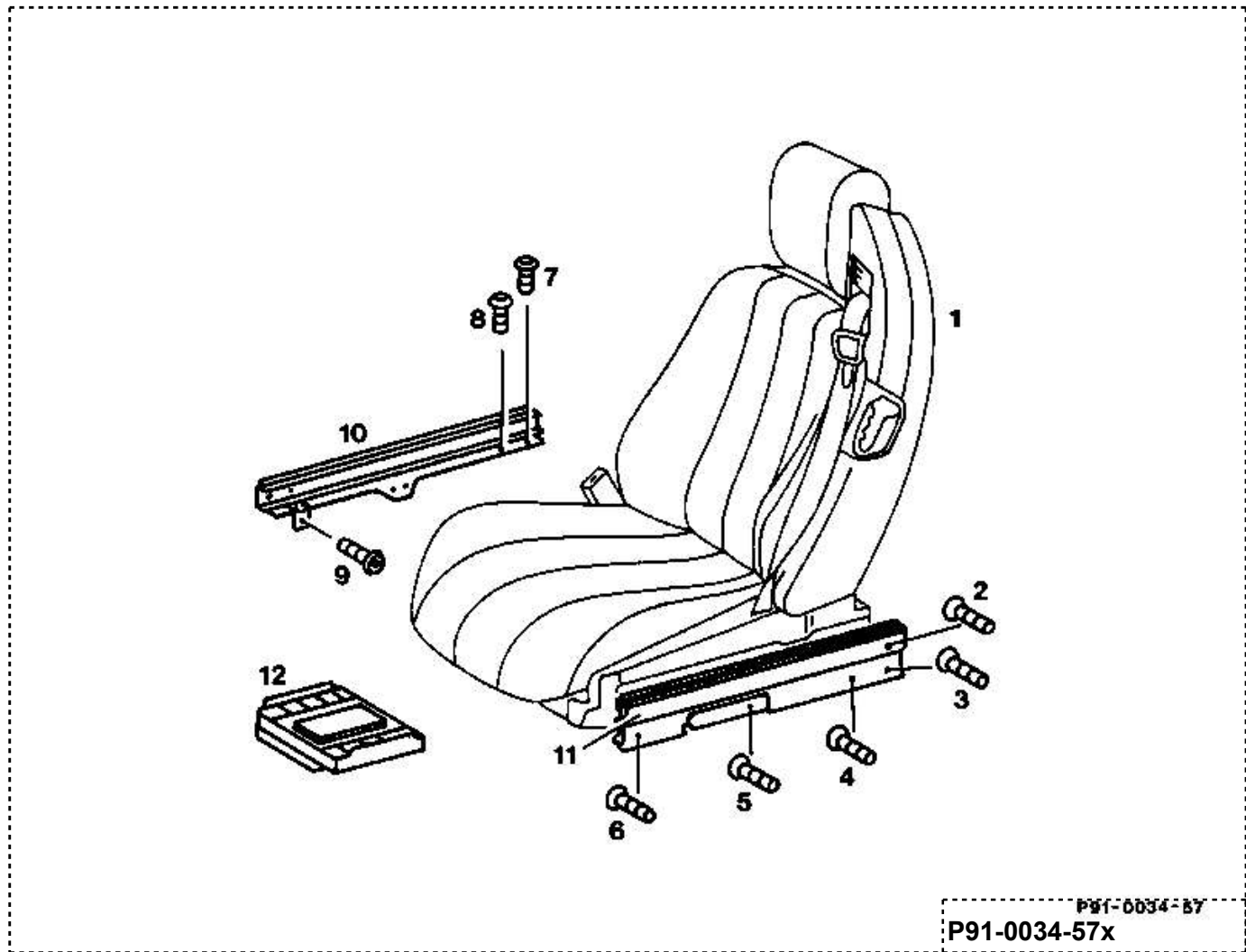


91-100 Removing and installing front seat

Roadster soft top open or hardtop removed
 Front seat cushion removed (91-055)

Operation no. of operation texts and work units or standard texts and flat rates.....



- Front seat (1)..... move all the way to the front with forward/backward adjustment mechanism.
- Screws (2, 3, 4, 7 and 8) (5 each)..... unscrew on rear of seat rail at left and right. 17 Nm.
- Screw (9) (1 each)..... unscrew at front on right seat rail. 17 Nm.
- Front seat (1)..... allow to run toward rear with forward/backward adjustment mechanism.

- Screws (5 and 6) (2 each)..... unscrew at center and front of left seat rail. 17 Nm.
- Ignition key..... turn to zero position.
- Negative pole on battery..... disconnect and cover.
- Red 10-pin connector in footwell..... disconnect.
- Connectors on control module (12)..... disconnect, open cable straps and expose cable.

Front seat (1)..... when removing first tilt toward outside and then lift
out of vehicle together with a second person.
Reinstall..... in opposite order. Observe installation note.

Installation note

The threads on the seat mounting screws (8 each) are micro-encapsulated. Following disassembly they must be replaced or coated with screw securing agent.

Tightening torque: 17 Nm.

Observe the following sequence when tightening seat mounting bolts:

1. All bolts on outer seat rail on longitudinal member.
2. Both rear bolts on inner seat rail on tunnel floor.
3. Front bolt on inner seat rail on tunnel floor. Compensate gap resulting here between seat rail retaining bracket and tunnel floor console with washer, part no. 129 984 00 56.

Vehicles with airbag

When one or both front seats are removed (connectors to seat belt buckles must be disconnected) the SRS malfunction indicator lamp comes on when the ignition key is in position 1 or 2 and goes out when the seats are reinstalled after reconnecting the disconnected connectors. This is stored as a malfunction in the control module for the airbag and emergency tensioning retractors. The memory must be erased after reinstalling the seats (Diagnosis Manual, Body, Volume 1, Index no. 11 Airbag).

Checking emergency tensioning retractors after removing or installing one or both front seats

- **Emergency tensioning retractors** (standard), Diagnosis Manual, Body, Volume 1, Index no. 12
- **Airbag** Diagnosis Manual, Body, Volume 1, Index no. 11

Commercially available tools

e.g. company

Attachment for T40 Torx socket bolts

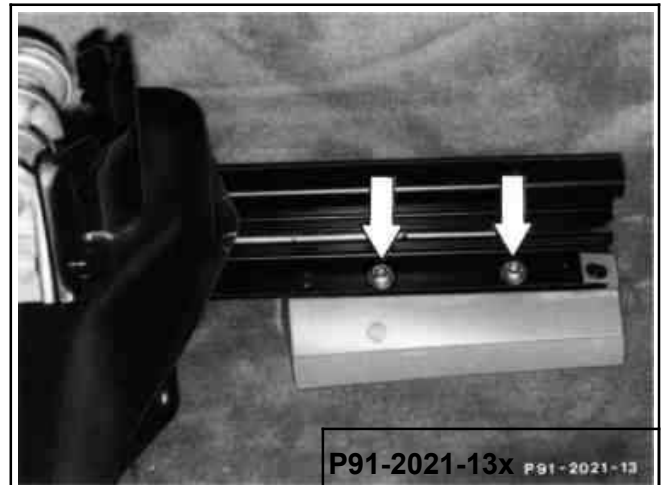
Eduard Wille GmbH & Co.
Postfach 12 01 03
5000 Wuppertal 12
Tel. (0202)-4791-0
Telex: 8591413

Removal, installation

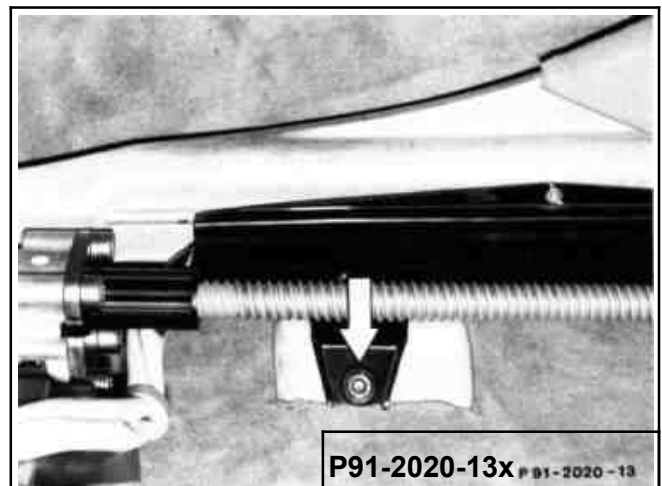
- 1 Move front seat to front position with forward/backward adjustment mechanism.
- 2 Unscrew screws (3 each) at rear on left seat rail (arrows). Use attachment for T40 Torx socket bolts.



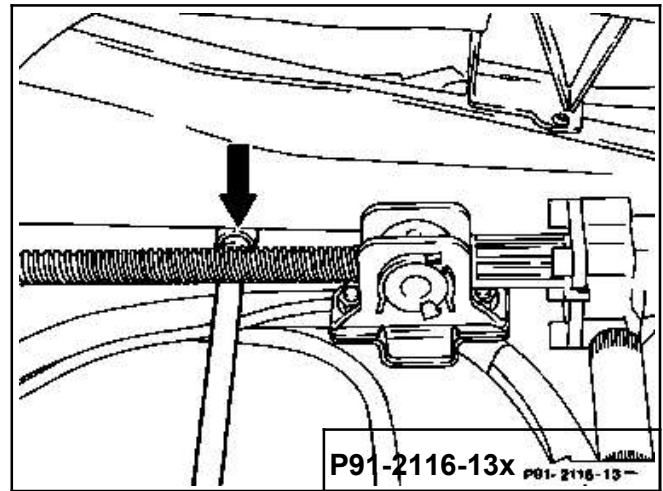
- 3 Unscrew screws (2 each) at rear on right seat rail.



- 4 Unscrew screw (1 each) at front on right seat rail.
- 5 Move front seat all the way to the rear.



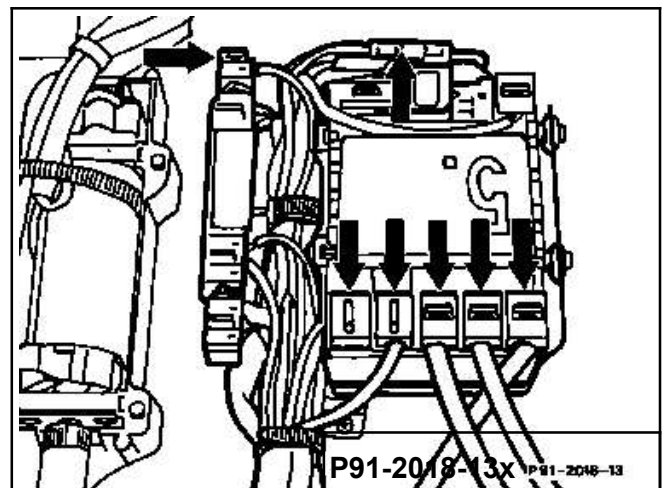
- 6 Unscrew screw (1 each) on left seat rail (arrow).



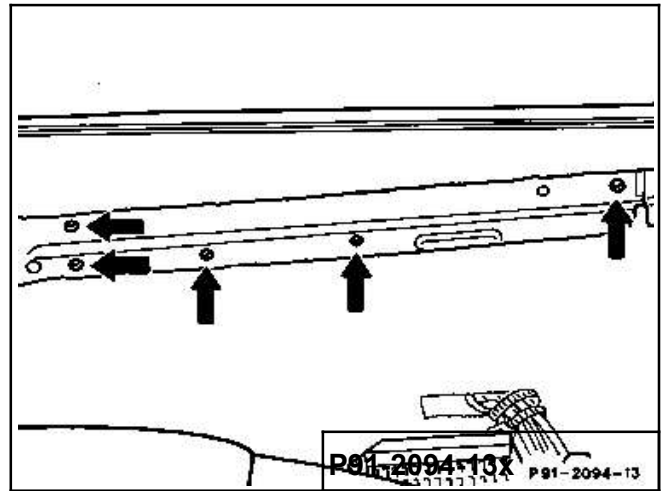
- 7 Unscrew screw (1 each) at front on left seat rail.
- 8 Turn ignition key to 0 position.
- 9 Disconnect negative pole on battery and cover.
- 10 Disconnect red 10-pin connector in footwell.



- 11 Disconnect connectors from control module. Expose cable.
- 12 Tilt front seat outwards and lift out of vehicle together with second person.
- 13 Reinstall in opposite order. Observe installation note.



Seat mounting points on longitudinal member.



Seat mounting points on floor assembly - tunnel area.

