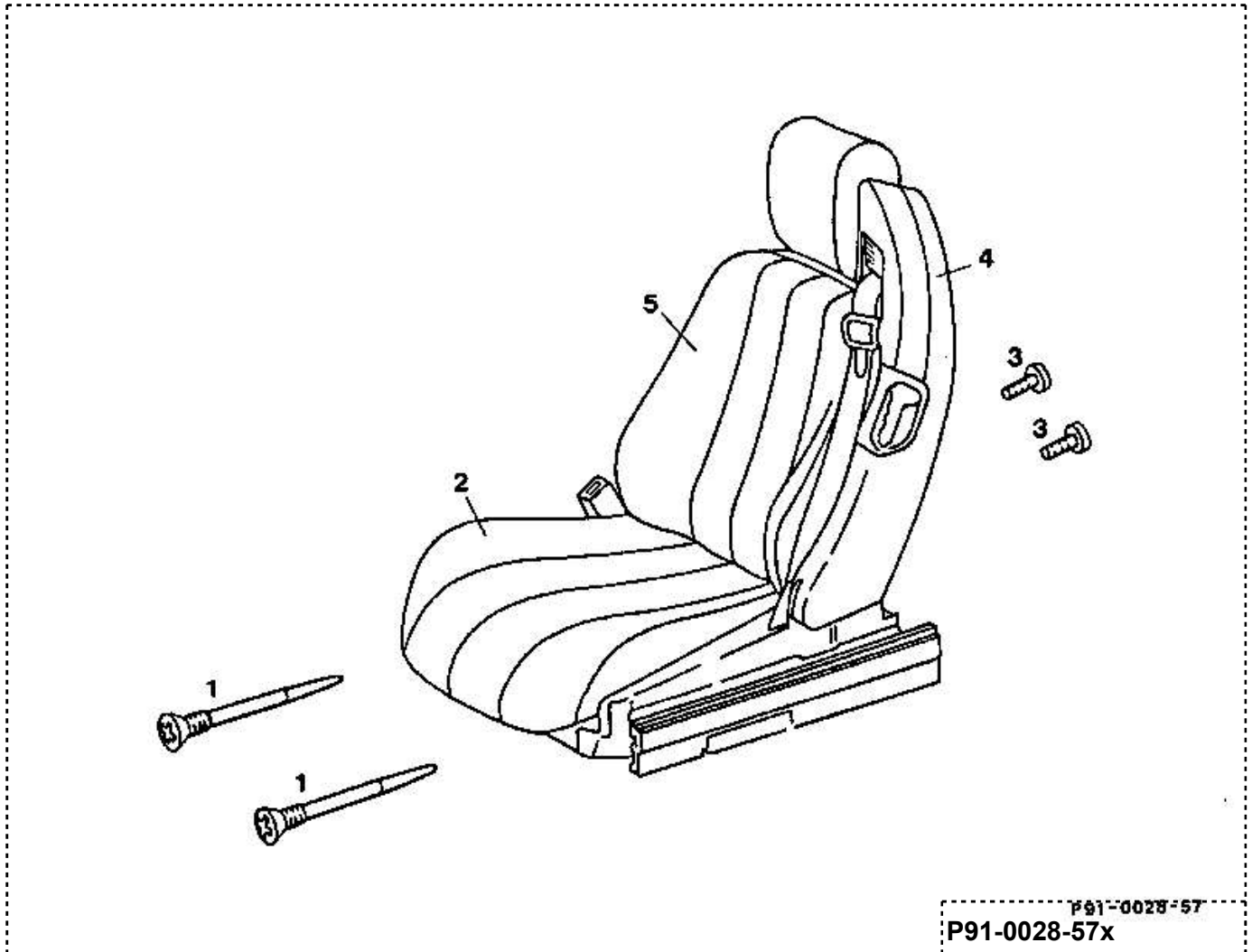


Operation no. of operation texts and work units bzw.
or standard texts and flat rates.....



Front seat cushion

- Front seat..... move back with forward/backward adjustment mechanism
- Screws (1) (2 each)..... unscrew on front seat cushion mount.
- Front seat cushion (2)..... pull out of mount by lifting with force at front. Observe installation note!
- Front seat cushion (2)..... remove toward front. Observe installation note.

Installation note

As of vehicle ident. end number F 074890 (approx. 11/92) the front seat cushion mount was changed from a plug-in type to a screwed connection. Only the modified parts will be available as replacement parts in the future. When replacing the seat cushion frame or mounting bridge (connection) the modified mount must be riveted onto the seat cushion frame (91-057).

Backrest cushion (seat cushion removed)

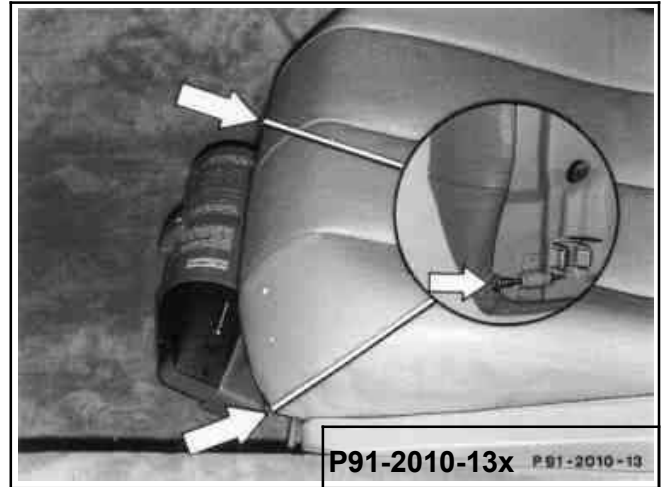
- Front seat..... move forward with forward/backward adjustment mechanism.
- Backrest (4)..... unlock and tilt forward.
- Screws (3) on backrest frame (2 each)..... unscrew.
- Backrest (4)..... tilt back.
- Backrest cushion (5)..... pull down and remove. Observe installation note.

Removal, installation

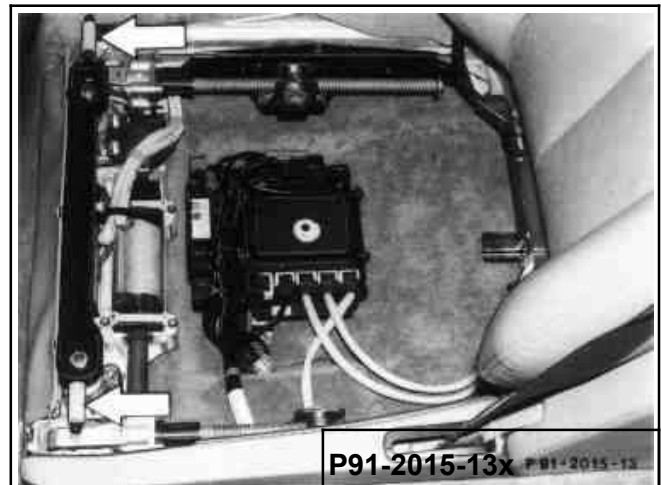
Front seat cushion

- 1 Move front seat toward rear with forward/backward adjustment mechanism.

- 2 Unscrew screw (2 each) on front seat cushion mount.



- 3 Pull front seat cushion out of mount by lifting with force at front.
- 4 Remove front seat cushion toward front.



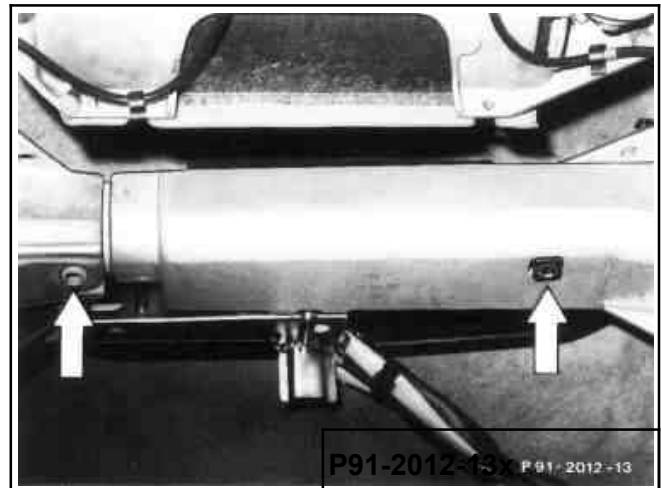
Mounting points and retaining screws on front seat cushion.



Installation note

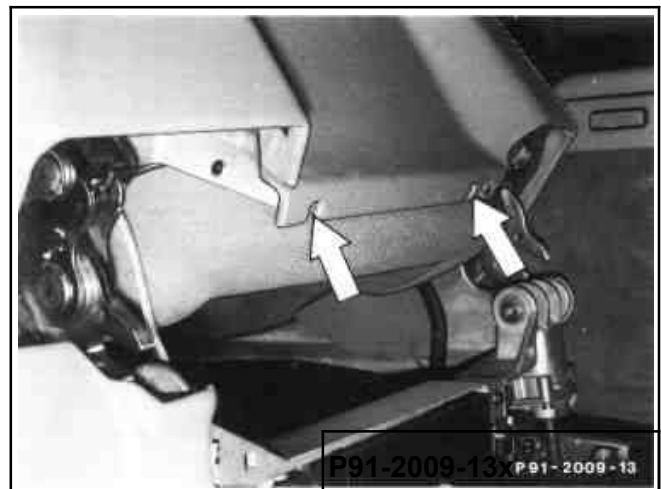
Before installing the seat cushion, move front seat height adjustment down - rear seat height adjustment up - and backrest adjustment to upright position.

Insert front seat cushion into rear mount on seat frame with retaining pins, press into mount at front on left and right and screw in screws (2 each).



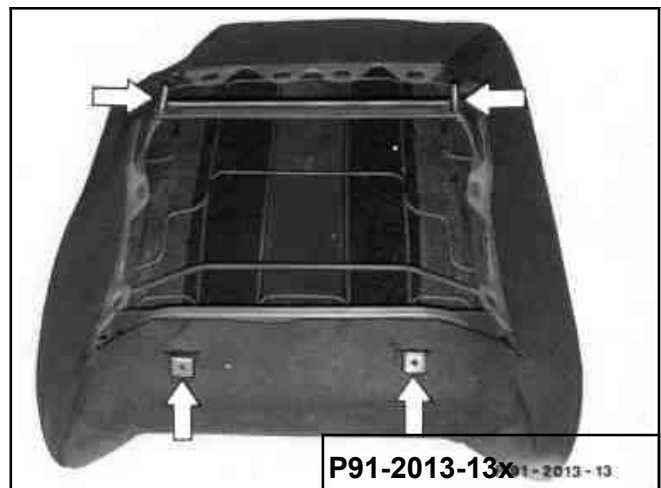
Backrest cushion (front seat cushion removed)

- 5 Move front seat forward with forward/backward adjustment mechanism.
- 6 Unlock backrest and tilt forward.
- 7 Unscrew screws (2 each) on rear of backrest frame (arrows).
- 8 Tilt backrest back.



- 9 Pull backrest cushion downward and remove.

Mounting points on backrest cushion.



Installation note

Insert backrest cushion at top into backrest frame with retaining pins and fasten at bottom of backrest frame with screws (2 each).

