

Find (8/381) ✕

roll bar ⚙

Previous Next

11.2 Roadster Soft Top (RST), Roll Bar (RB) (Manual Deployment)

Electrical Test Program – Test – Soft Top Up

Y56 Right RST Valve Block  
(4 connections)  
and  
Y57 Roll bar Valve Block  
(2 connections)

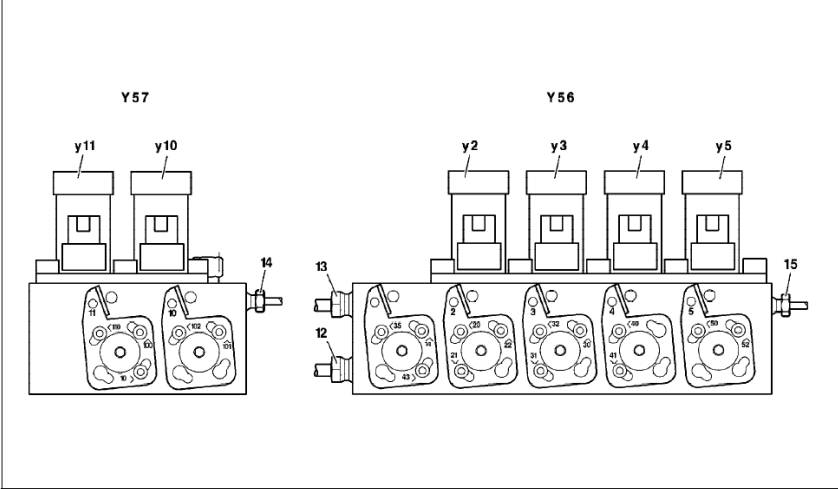


Figure 2

- Y56 Left RST valve block (4 connections)
- y2 Rear locks valve
- y3 Center locks valve
- y4 Front locks valve
- y5 Soft top compartment cover valve
  
- Y57 Roll Bar valve block (2 connections)
- y10 Roll bar "Lower" valve
- y11 Roll bar "raise" valve