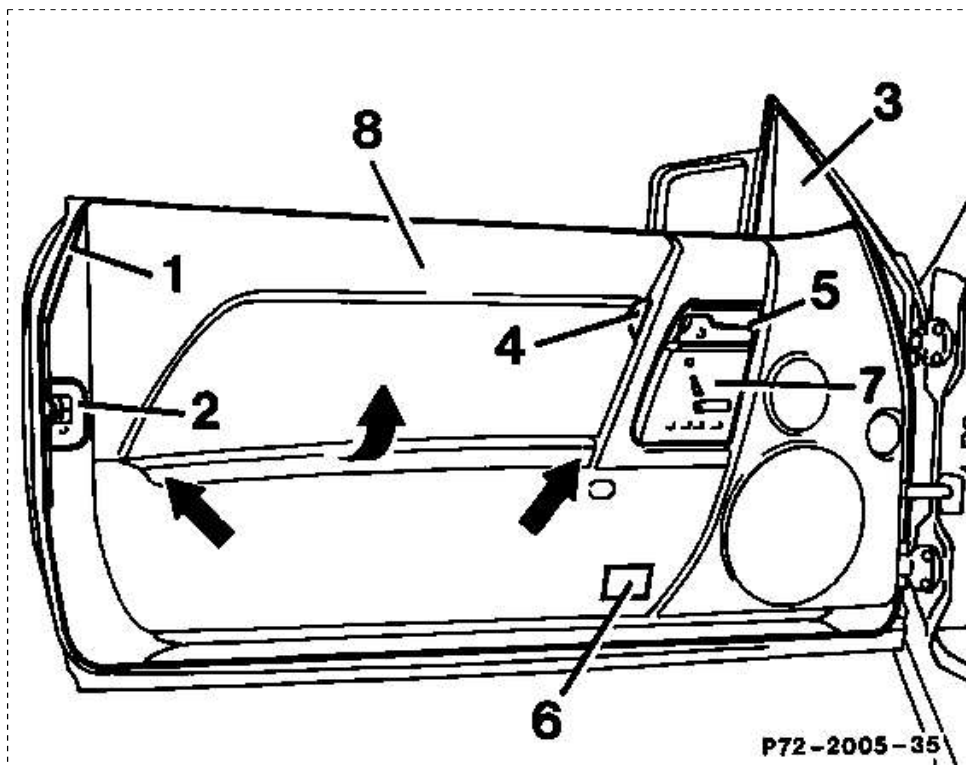


Operation number of the operation texts and work units or standard texts and flat rates respectively

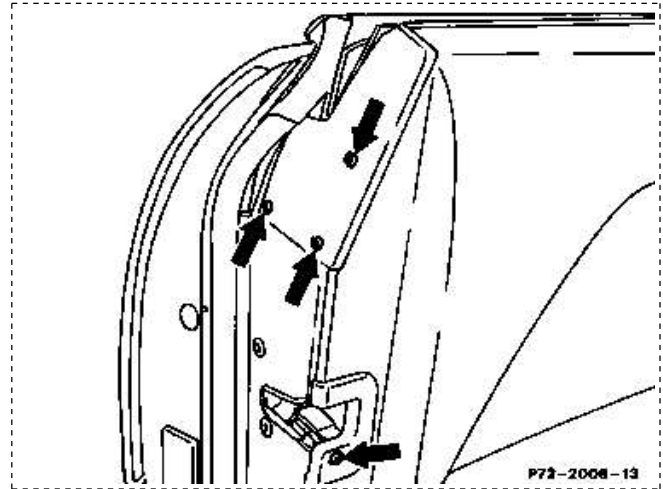


- | | |
|---|--|
| Screws on chrome trim (1) 3 each..... | screw out and remove chrome trim. |
| Screw on lock cover plate (2)..... | screw out. |
| Lock cover plate (2)..... | pull down and remove. |
| Cover (3) on mirror triangle..... | press off and remove toward top. |
| Knob (4) for interior locking mechanism..... | press off and pull out. |
| Small wood cover (5) on inside door control..... | press off and remove |
| Door pocket cover..... | open |
| Front cover (arrow)..... | press off and remove. |
| Entry light (6)..... | pull out downward, pull off electrical connections and lay light to side. |
| Frame on inside door control..... | screw off and remove. |
| Large wood cover (7)..... | press to the rear and remove from door liner. |
| Electrical connections on seat control switch..... | disconnect and lay wood cover (7) aside. |
| | |
| Screw on inside door control..... | screw out (10 mm wrench). |
| Screw in area of door pocket, front (arrow)..... | screw out. |
| Screw in area of door pocket, rear (arrow)..... | screw out. |
| Door liner (8)..... | unclip from inside door panel at bottom as well as front and back (8 clips). |
| Door liner (8)..... | pull away from inside door panel at bottom and remove toward top. |
| Vacuum line and electrical wires on door liner..... | disconnect and pull through. |
| Door liner (8)..... | lay aside. |
| Before installing door liner..... | check door foil for damage, replace if required. |

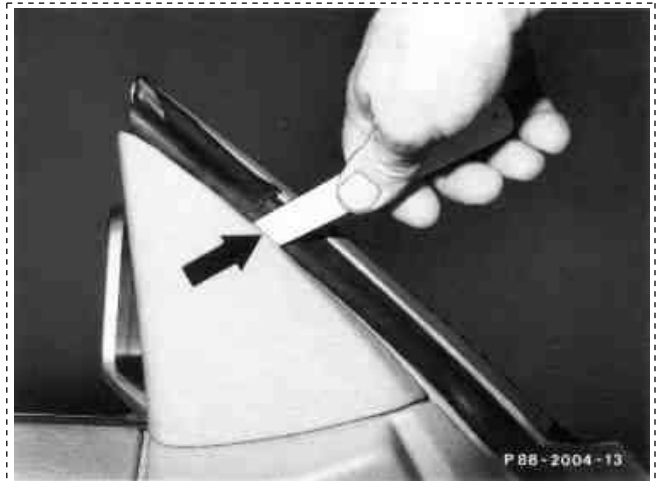
Install..... in opposite order.

Removal, installation

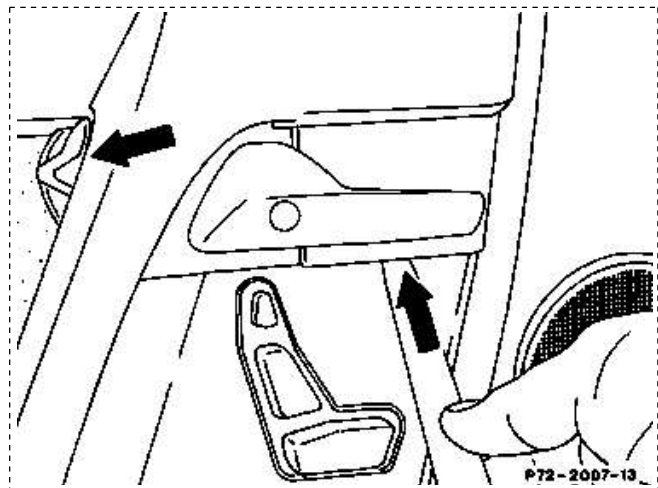
- 1 Screw out screw on chrome trim and lock cover plate.
- 2 Remove chrome trim and lock cover plate.



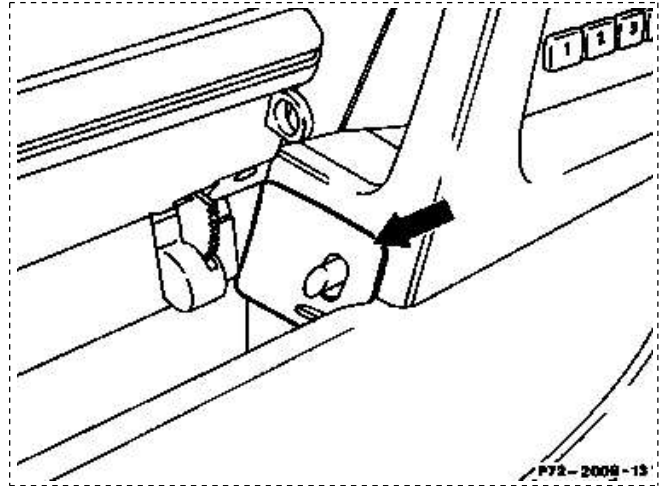
- 3 Press cover off of mirror triangle and remove upward.



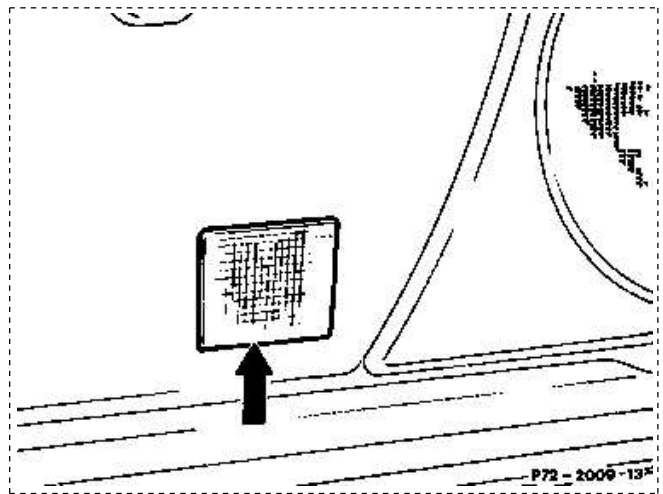
- 4 Press off small wood cover and knob for inside locking mechanism and remove (arrows).



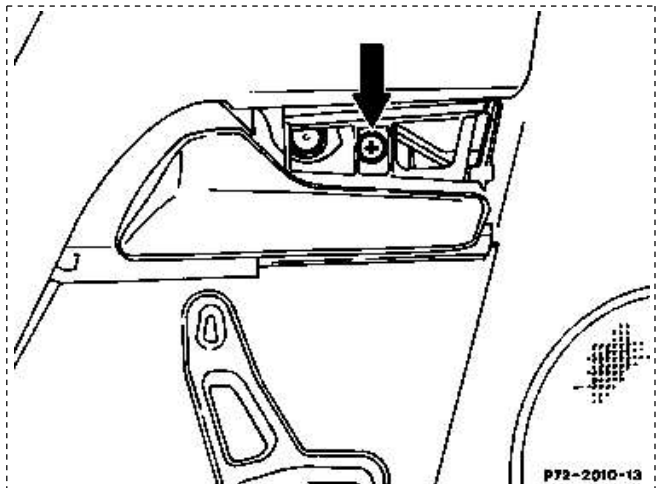
- 5 Open door pocket cover and press off front cover (arrow).



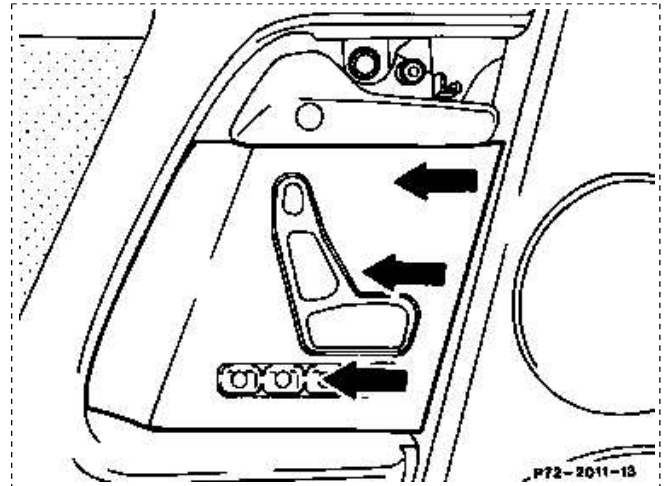
- 6 Pull out entry light downward. Disconnect electrical connections and lay light aside.



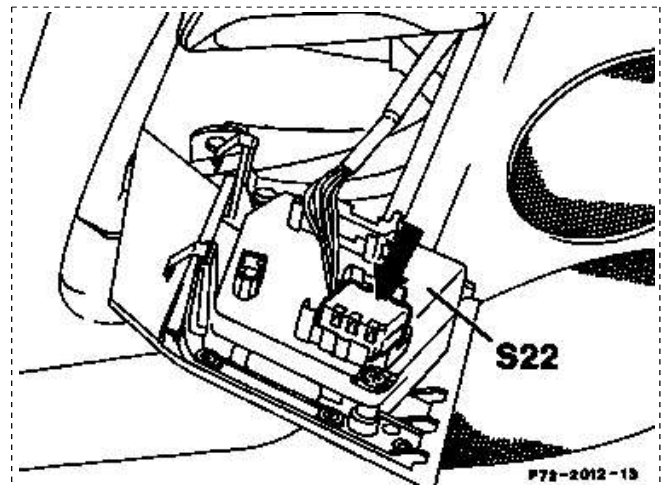
- 7 Screw frame off of inside door control and remove (arrow).



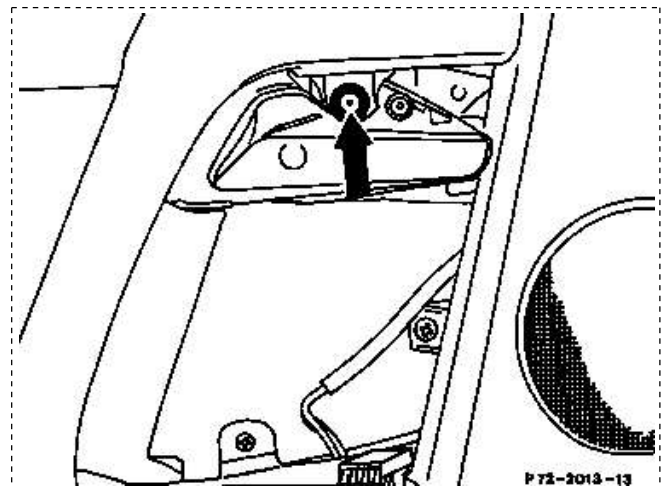
- 8 Press large wood cover downward and remove from door liner (arrows).



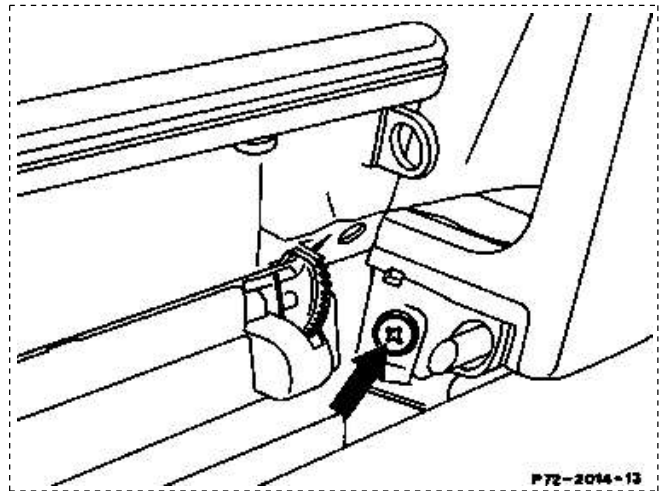
- 9 Disconnect plug connector and lay wood cover to side (arrow).



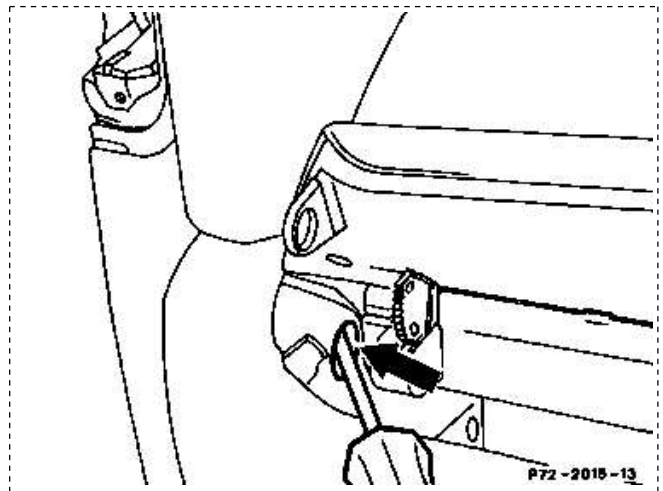
- 10 Screw out screw on inside door control (arrow).



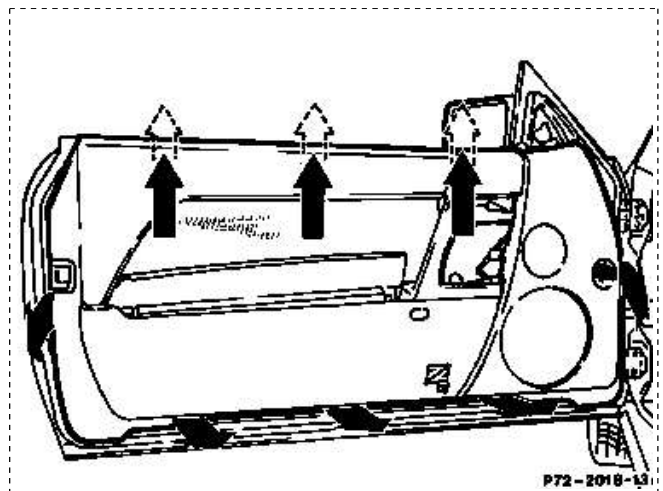
- 11 Screw out screw at front of door pocket (arrow).



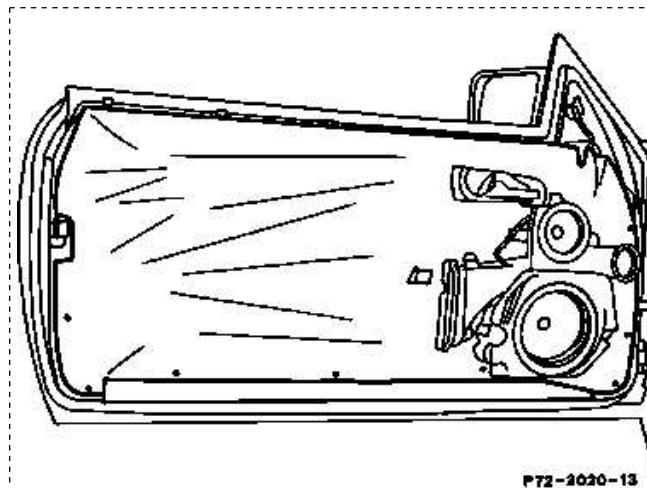
- 12 Screw out screw at rear of door pocket (arrow).



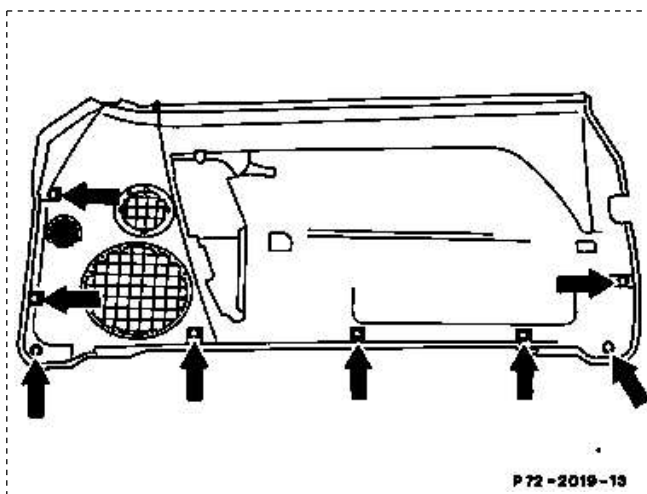
- 13 Pull door liner off of inside door panel at bottom, front and rear. Pull door liner away from inside door panel at bottom and remove upward (arrows).
- 14 Disconnect vacuum line and electrical wiring on door liner.
- 15 Lay door liner to side.



- 16 Before installing door liner check door foil.
Replace foil if damaged and glue on without wrinkles.
- 17 Install in reverse order.



P 72 - 2020 - 13



P 72 - 2019 - 13

Rear side of door liner showing position of clips
(8 each, arrows).