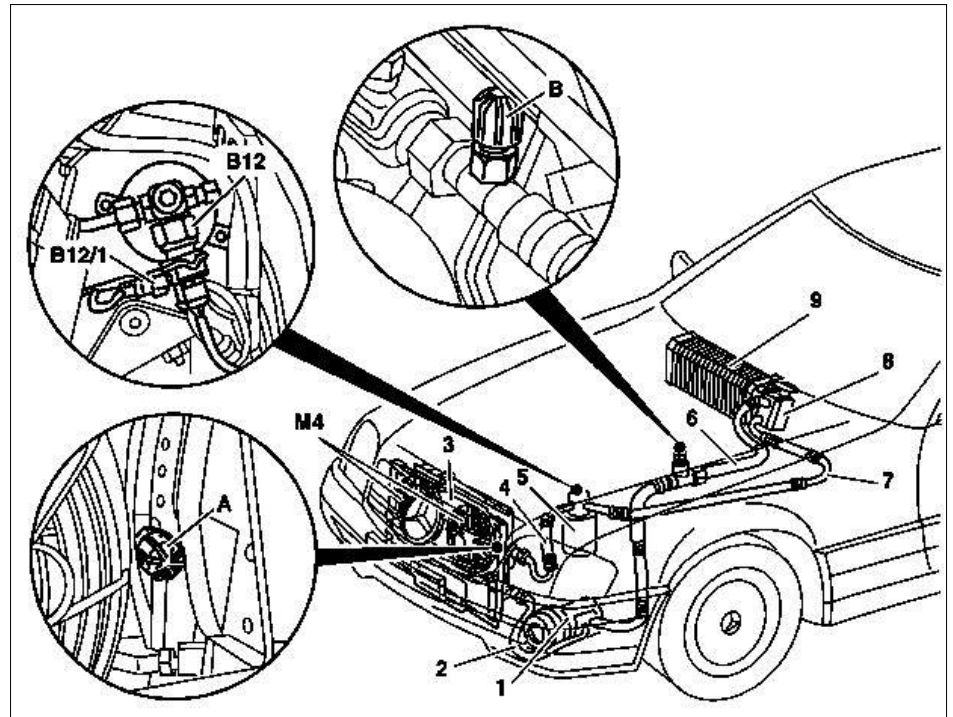


- A High pressure connection
- B Intake pressure connection
- B12 Refrigerant pressure sensor
- B12/1 Refrigerant temperature sensor
- M4 Auxiliary fan
- 1 A/C compressor
- 2 Pressure line
- 3 Condenser
- 4 Pressure line
- 5 Receiver/drier
- 6 Intake line
- 7 Pressure line
- 8 Expansion valve
- 9 Evaporator



P83.40-2048-06